



S4M™

Midrange Printer

User Guide



© 2009 ZIH Corp. The copyrights in this manual and the software and/or firmware in the printer described therein are owned by ZIH Corp. Unauthorized reproduction of this manual or the software and/or firmware in the printer may result in imprisonment of up to one year and fines of up to \$10,000 (17 U.S.C.506). Copyright violators may be subject to civil liability.

This product may contain ZPL[®], ZPL II[®], and ZebraLink[™] programs; Element Energy Equalizer[®] Circuit; E³[®]; and Monotype Imaging fonts. Software © ZIH Corp. All rights reserved worldwide.

ZebraLink and all product names and numbers are trademarks, and Zebra, the Zebra logo, ZPL, ZPL II, Eltron, Element Energy Equalizer Circuit, and E³ Circuit are registered trademarks of ZIH Corp. All rights reserved worldwide.

Datamax is a registered trademark of Datamax Corporation. Intermec is a registered trademark of Intermec Technologies Corporation.

All other brand names, product names, or trademarks belong to their respective holders. For additional trademark information, please see “Trademarks” on the product CD.

Proprietary Statement This manual contains proprietary information of Zebra Technologies Corporation and its subsidiaries (“Zebra Technologies”). It is intended solely for the information and use of parties operating and maintaining the equipment described herein. Such proprietary information may not be used, reproduced, or disclosed to any other parties for any other purpose without the express, written permission of Zebra Technologies Corporation.

Product Improvements Continuous improvement of products is a policy of Zebra Technologies Corporation. All specifications and designs are subject to change without notice.

Liability Disclaimer Zebra Technologies Corporation takes steps to ensure that its published Engineering specifications and manuals are correct; however, errors do occur. Zebra Technologies Corporation reserves the right to correct any such errors and disclaims liability resulting therefrom.

Limitation of Liability In no event shall Zebra Technologies Corporation or anyone else involved in the creation, production, or delivery of the accompanying product (including hardware and software) be liable for any damages whatsoever (including, without limitation, consequential damages including loss of business profits, business interruption, or loss of business information) arising out of the use of, the results of use of, or inability to use such product, even if Zebra Technologies Corporation has been advised of the possibility of such damages. Some jurisdictions do not allow the exclusion or limitation of incidental or consequential damages, so the above limitation or exclusion may not apply to you.



Declaration of Conformity

I have determined that the Zebra printers identified as the

Stripe™ Series

S4M

manufactured by:

Zebra Technologies Corporation
333 Corporate Woods Parkway
Vernon Hills, Illinois 60061-3109 U.S.A.

Have been shown to comply with the applicable technical standards of the FCC

For Home, Office, Commercial, and Industrial use

If no unauthorized change is made in the equipment,
and if the equipment is properly maintained and operated.

Compliance Information

FCC Compliance Statement

This device complies with Part 15 rules. Operation is subject to the following two conditions:

1. This device may not cause harmful interference, and
2. This device must accept any interference received, including interference that may cause undesired operation.

The user is cautioned that any changes or modifications not expressly approved by Zebra Technologies Corporation could void the user's authority to operate the equipment. To ensure compliance, this printer must be used with Shielded Communication Cables.

FCC Rules and Regulations for Data Cables

Zebra printers comply with FCC Rules and Regulations, Part 15 for Class B Equipment using fully shielded, 6.5 ft. (2 m) data cables. Use of unshielded cables may increase radiation above the Class B limits.

Canadian DOC Compliance Statement

This Class B digital apparatus complies with Canadian ICES-003.

Cet appareil numérique de la classe B est conforme à la norme NMB-003 du Canada.

Contents



Declaration of Conformity	3
Compliance Information	4
Contents	5
About This Document	9
Who Should Use This Document	10
How This Document Is Organized	10
Contacts	11
Document Conventions	12
1 • Introduction	15
External View	16
Control Panel	17
Control Panel LCD	18
Control Panel Buttons	18
Control Panel Lights	20
Printer Media Compartment	21
Printer Language Modes	22
Firmware Downloads	22
New or Modified Commands	22
Additional Printer Language Information	22

2 • Printer Setup	23
Before You Begin	24
Handling the Printer	25
Unpack and Inspect the Printer	25
Store the Printer	25
Ship the Printer	25
Select a Site for the Printer	26
Select a Surface	26
Provide Proper Operating Conditions	26
Allow Proper Space	26
Provide a Data Source	26
Provide a Power Source	26
Select a Data Communication Interface	27
Data Cables and Wireless Cards	28
Connect the Printer to the Computer or Network	28
Connect the Printer to a Power Source	30
Power Cord Specifications	31
Types of Media	32
Ribbon Overview	34
When to Use Ribbon	34
Coated Side of Ribbon	34
3 • Operations	37
Print Modes and Printer Options	38
Print Mode Descriptions and Printer Requirements	38
Media Paths	38
Start a Roll of Media	39
Insert Media into the Printer	40
Load Media in Tear-Off Mode	42
Load Media in Peel-Off Mode	45
Load Media in Cutter Mode	50
Load Ribbon	53
Remove Used Ribbon	57
Calibrate the Printer	58
Auto Calibration	58
Manual Calibration	58
Select or Adjust the Media Sensors	59
Select the Transmissive Sensor	59
Adjust the Reflective Sensor	59
Adjust Printhead Pressure	61

4 • Configuration	63
Setup Mode	64
Enter Setup Mode	64
Leave Setup Mode	64
Password Protection of Parameters	66
Printing Configuration Labels	68
Select a Display Language	71
Control Panel Parameters	72
Password Level 1 and 2 Parameters	72
Password Level 3 Parameters	77
5 • Routine Maintenance	87
Replacing Printer Components	88
Ordering Replacement Parts	88
Recycling Printer Components	88
Lubrication	88
Cleaning Schedule and Procedures	89
Clean the Exterior	89
Clean the Printhead and Platen Roller	90
Clean the Media Compartment and Sensors	93
Clean the Peel Assembly	94
Clean the Cutter Module	97
6 • Troubleshooting	99
Troubleshooting Checklists	100
LCD Error Messages	101
Memory Errors	105
Print Quality Problems	106
Calibration Problems	109
Communications Problems	110
Ribbon Problems	111
Miscellaneous Printer Problems	112
Printer Diagnostics	114
Power-On Self Test	114
CANCEL Self Test	115
PAUSE Self Test	116
FEED Self Test	117
FEED and PAUSE Self Test	120
Communications Diagnostics Test	121
Sensor Profile	122

- 7 • Specifications 125**
 - General Specifications 126
 - Agency Approvals 127
 - Printing Specifications 128
 - Media Specifications 129
 - Ribbon Specifications 130
- A • ZPL II Commands 131**
- End User License Agreement 133**
- Glossary 139**
- Index 143**



About This Document

This section provides you with contact information, document structure and organization, and additional reference documents.

Contents

Who Should Use This Document	10
How This Document Is Organized	10
Contacts	11
Document Conventions	12

Who Should Use This Document

This User Guide is intended for use by any person who needs to operate or troubleshoot problems with the printer.

How This Document Is Organized

The User Guide is set up as follows:

Section	Description
Introduction on page 15	This section shows the operational controls and location of major components used when loading media and ribbon. Other features of the printer are discussed.
Printer Setup on page 23	This section provides the tasks that you must complete and the issues that you must consider before you load and configure your printer.
Operations on page 37	This section provides the procedures for loading and calibrating the printer.
Configuration on page 63	This section discusses printer configuration settings and instructs you how to view or change printer parameters through the control panel.
Routine Maintenance on page 87	This section provides routine cleaning and maintenance procedures.
Troubleshooting on page 99	This section provides information about errors that you might need to troubleshoot. Assorted diagnostic tests are included.
Specifications on page 125	This section provides the features of and specifications for the printer.

Contacts

Technical Support via the Internet is available 24 hours per day, 365 days per year.

Web Site: www.zebra.com

E-mail Back Technical Library:

E-mail address: emb@zebra.com

Subject line: Emaillist

Self Service Knowledge Base: www.zebra.com/knowledgebase

Online Case Registration: www.zebra.com/techrequest

Which Department Do You Need?	The Americas	Europe, Middle East, and Africa	Asia Pacific and India
Regional Headquarters	Zebra Technologies International, LLC 333 Corporate Woods Parkway Vernon Hills, IL 60061-3109 U.S.A. T: +1 847 793 2600 Toll-free +1 800 423 0422 F: +1 847 913 8766	Zebra Technologies Europe Limited Dukes Meadow Millboard Road Bourne End Buckinghamshire, SL8 5XF United Kingdom T: +44 (0) 1628 556000 F: +44 (0) 1628 556001	Zebra Technologies Asia Pacific Pte. Ltd. 120 Robinson Road #06-01 Parakou Building Singapore 068913 T: + 65 6858 0722 F: +65 6885 0838
Technical Support For questions on the operation of Zebra equipment and software, please call your distributor. For additional assistance, contact us. <i>Please have your model and serial numbers available.</i>	T: +1 877 ASK ZEBRA (275 9327) F: +1 847 913 2578 Hardware: ts1@zebra.com Software: ts3@zebra.com <i>Kiosk printers:</i> T: +1 866 322 5202 E: kiosksupport@zebra.com	T: +44 (0) 1628 556039 F: +44 (0) 1628 556003 E: Tseurope@zebra.com	T: +65 6858 0722 F: +65 6885 0838 E: <i>China:</i> tschina@zebra.com <i>All other areas:</i> tsasiapacific@zebra.com
Repair Service Department For back-to-base service and repair.	T: +1 877 ASK ZEBRA (275 9327) F: +1 847 821 1797 E: repair@zebra.com To request a repair in the U.S., go to www.zebra.com/repair .	T: +44 (0) 1772 693069 F: +44 (0) 1772 693046 New requests: ukrma@zebra.com Status updates: repairupdate@zebra.com	T: +65 6858 0722 F: +65 6885 0838 E: <i>China:</i> tschina@zebra.com <i>All other areas:</i> tsasiapacific@zebra.com
Technical Training Department For Zebra product training courses.	T: +1 847 793 6868 F: +1 847 793 6864 F: +1 847 913 2578 E: ttamerica@zebra.com	T: +44 (0) 1628 556000 F: +44 (0) 1628 556001 E: Eurtraining@zebra.com	T: + 65 6858 0722 F: +65 6885 0838 E: <i>China:</i> tschina@zebra.com <i>All other areas:</i> tsasiapacific@zebra.com
Inquiry Department For product literature and distributor and dealer information.	T: +1 877 ASK ZEBRA (275 9327) E: inquiry4@zebra.com	T: +44 (0) 1628 556037 F: +44 (0) 1628 556005 E: mseurope@zebra.com	E: <i>China:</i> GCmarketing@zebra.com <i>All other areas:</i> APACChannelmarketing@zebra.com
Customer Service Department (US) Internal Sales Department (UK) For printers, parts, media, and ribbon, please call your distributor or contact us.	T: +1 877 ASK ZEBRA (275 9327) E: clientcare@zebra.com	T: +44 (0) 1628 556032 F: +44 (0) 1628 556001 E: cseurope@zebra.com	T: +65 6858 0722 F: +65 6885 0836 E: <i>China:</i> order-csr@zebra.com <i>All other areas:</i> csasiapacific@zebra.com
Key:	T: Telephone F: Facsimile E: E-mail		

Document Conventions

The following conventions are used throughout this document to convey certain information.

Alternate Color (online only) Cross-references contain hot links to other sections in this guide. If you are viewing this guide online in .pdf format, you can click the cross-reference ([blue text](#)) to jump directly to its location.

LCD Display Examples Text from a printer's Liquid Crystal Display (LCD) appears in **Bubbledot ICG** font.

Command Line Examples Command line examples appear in `Courier New` font. For example, type `ZTools` to get to the Post-Install scripts in the `bin` directory.

Files and Directories File names and directories appear in `Courier New` font. For example, the `Zebra<version number>.tar` file and the `/root` directory.

Icons Used



Caution • Warns you of the potential for electrostatic discharge.



Caution • Warns you of a potential electric shock situation.



Caution • Warns you of a situation where excessive heat could cause a burn.



Caution • Advises you that failure to take or avoid a specific action could result in physical harm to you.

Caution • (No icon) Advises you that failure to take or avoid a specific action could result in physical harm to the hardware.



Important • Advises you of information that is essential to complete a task.



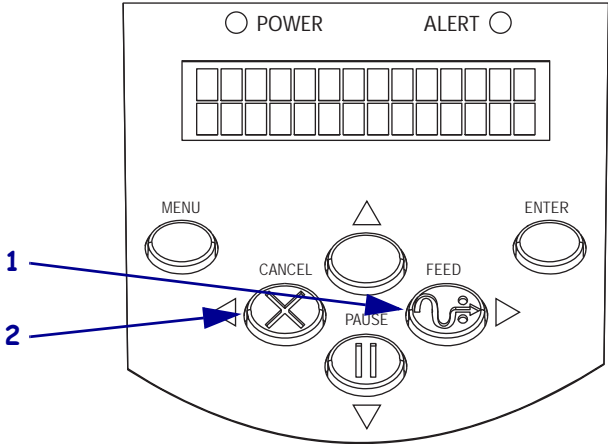
Note • Indicates neutral or positive information that emphasizes or supplements important points of the main text.



Example • Provides an example, often a scenario, to better clarify a section of text.

Illustration Callouts Callouts are used when an illustration contains information that needs to be labeled and described. A table that contains the labels and descriptions follows the graphic. [Figure 1](#) provides an example.

Figure 1 • Sample Figure with Callouts



1	FEED button
2	CANCEL button



Notes • _____



Introduction

This section shows the operational controls and location of major components used when loading media and ribbon. Other features of the printer are discussed.

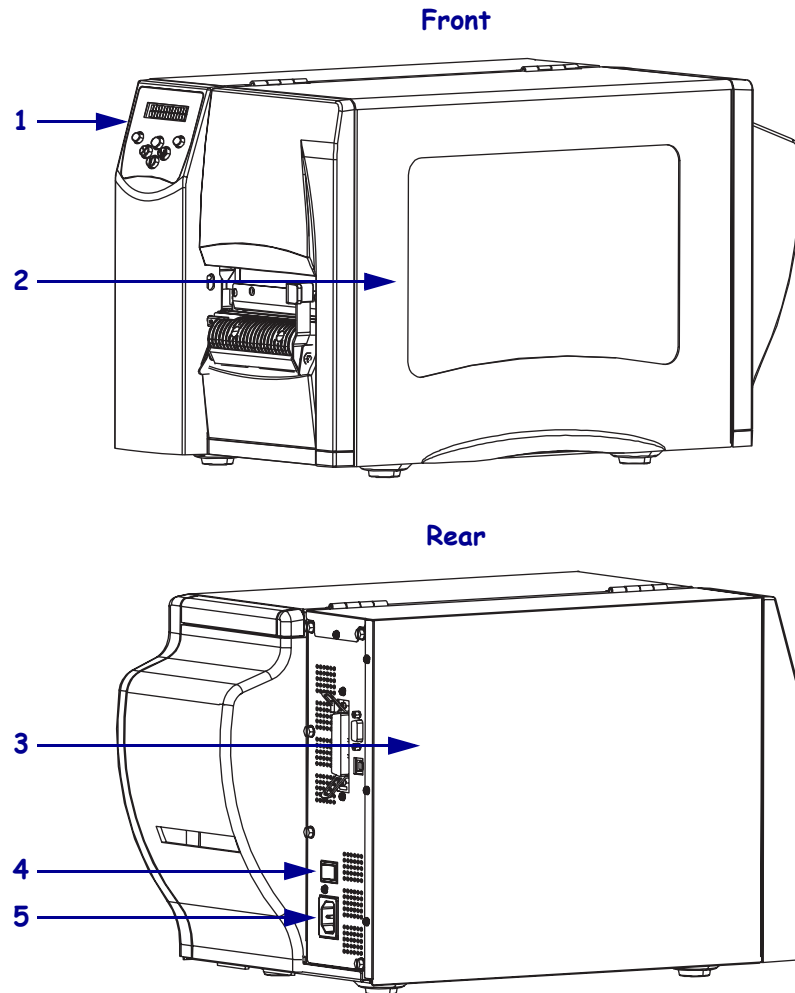
Contents

External View	16
Control Panel	17
Control Panel LCD	18
Control Panel Buttons	18
Control Panel Lights	20
Printer Media Compartment	21
Printer Language Modes	22
Firmware Downloads	22
New or Modified Commands	22
Additional Printer Language Information	22

External View

Figure 2 shows the outside of the printer.

Figure 2 • Exterior of Printer



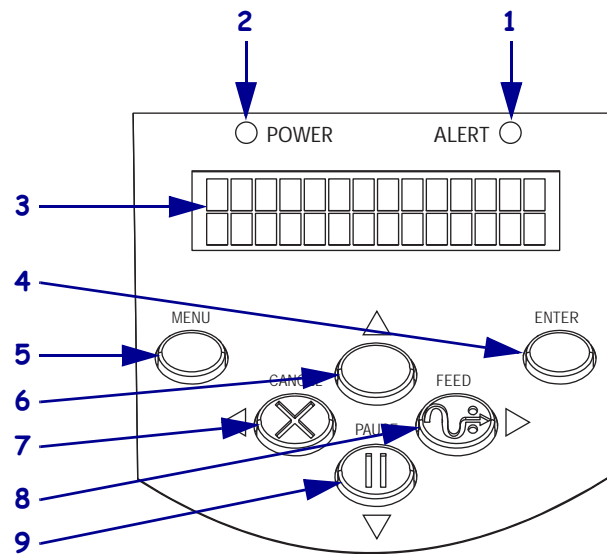
1	Control panel
2	Media door
3	Electronics cover
4	Power switch (O = off, I = on)
5	AC power connector

Control Panel

All controls and indicators for the printer are located on the control panel (Figure 3).

- The **control panel Liquid Crystal Display (LCD)** shows the operating status and printer parameters.
- The **control panel buttons** are used to control the printer operations and to set parameters.
- The **control panel lights (LEDs)** show the printer's operating status or indicate which control panel buttons are active.

Figure 3 • Location of Control Panel Buttons and Lights



1	ALERT light
2	POWER light
3	LCD
4	ENTER button
5	MENU button
6	Up arrow button
7	CANCEL or Left Arrow button
8	FEED or Right Arrow button
9	PAUSE or Down Arrow button

Control Panel LCD

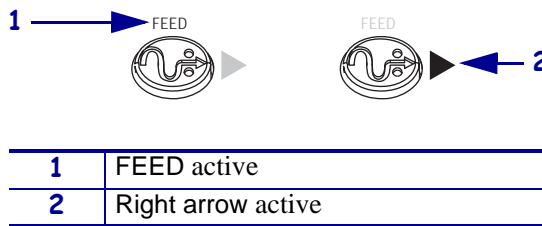
The control panel LCD functions differently in different printer modes.

- In **Operating mode**, the LCD displays the printer's status, sometimes in conjunction with a control panel light (see [Control Panel Lights on page 20](#)). When the printer is receiving data, the control panel shows the word **DATA** and cycles through a series of dots and spaces.
- In **Pause mode**, the printer stops printing temporarily.
- In **Setup mode**, you can use the control panel LCD to view or modify printer parameters (see [Control Panel Parameters on page 72](#)).
- In **Error mode**, the LCD may display an alert or error message (see [LCD Error Messages on page 101](#)).

Control Panel Buttons

The printer has six basic control buttons on the control panel. Some of these buttons also function as navigational keys when the printer is in Setup mode. The current function of a particular button is determined by which light is illuminated next to it ([Figure 4](#)).

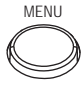
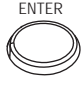







Figure 4 • Example of Active Control Panel Buttons



1	FEED active
2	Right arrow active

[Table 1](#) describes the function of each button. The MENU, PAUSE, and FEED buttons are active when the printer is in normal operating mode.




Table 1 • Control Panel Buttons

Button	Appearance	Function/Description
MENU		Enters and exits Setup mode.
ENTER		If a parameter or option in Setup mode needs to be selected, pressing ENTER selects the item. This button is active only when necessary.
CANCEL		CANCEL functions only in Pause mode. Pressing CANCEL once has these effects: <ul style="list-style-type: none"> • Cancels the label format that is currently printing. • If no label format is printing, the next one to be printed is canceled. • If no label formats are waiting to be printed, CANCEL is ignored. To clear the printer's entire label format memory, press and hold CANCEL.
FEED		Advances a blank label. <ul style="list-style-type: none"> • If the printer is idle or paused, the label is fed immediately. • If the printer is printing, the label is fed after printing finishes.
PAUSE		Stops and restarts the printing process or removes error messages and clears the LCD. When the printer is paused, the PAUSE light blinks. <ul style="list-style-type: none"> • If the printer is idle, it enters Pause mode immediately. • If the printer is printing, the label is completed before the printer pauses.
Left Arrow		When in Setup mode, scrolls the LCD to the previous parameter.
Right Arrow		When in Setup mode, scrolls the LCD to the next parameter.
Up Arrow		When in Setup mode, increases values or scrolls to the next option.
Down Arrow		When in Setup mode, decreases values or scrolls to the previous option.

Control Panel Lights

Table 2 describes lights on the control panel that indicate different printer conditions.

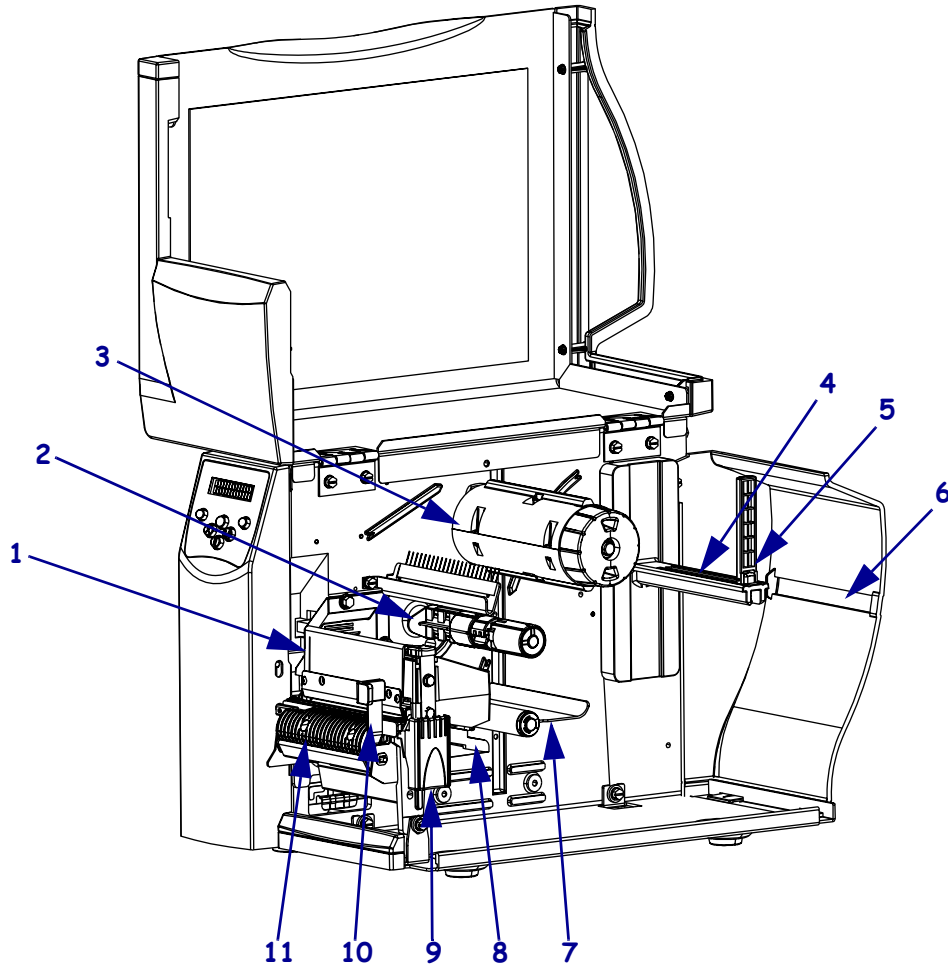
Table 2 • Control Panel Lights

Light	Appearance	Function/Description
POWER	● POWER	Indicates that the printer is on.
ALERT	ALERT ●	In an error or alert situation, the ALERT light flashes.
PAUSE (part of the PAUSE button)	PAUSE 	Flashes when the printer is in Pause mode unless the printer enters Setup mode and the down arrow becomes active.
FEED (part of the FEED button)	FEED 	On during normal printer operation, indicating that the printer can feed a blank label.
CANCEL (part of the CANCEL button)	CANCEL 	On when canceling a label format is a valid option.

Printer Media Compartment

Figure 5 shows a simplified view of the media compartment of your printer. Depending on installed options, your printer may look slightly different.

Figure 5 • Media Compartment



1	Printhead assembly
2	Ribbon supply spindle*
3	Ribbon take-up spindle*
4	Media supply hanger
5	Media supply guide
6	Fanfold media slot
7	Dancer assembly
8	Media guide
9	Printhead release latch
10	Peel release lever**
11	Peel assembly**

* Present only on printers that have the Thermal Transfer option installed.

** Present only on printers that have the Peel option installed.

Printer Language Modes

Depending on how your printer was ordered, it came from the factory with firmware that operates in or allows you to use certain commands for one of the following printer languages:

- Zebra Programming Language (ZPL[®])
- Eltron[®] Programming Language (EPL[™])
- Datamax[®] Programming Language (APL-D[™])
- Intermec[®] Printer Language (APL-I[™])

Firmware Downloads

You may download S4M firmware to the printer at any time to change from one printer language to another. For the latest firmware versions and instructions for downloading them, go to <http://www.zebra.com/firmware>.



Note • When the printer changes from one printer language to another, error messages may appear on the LCD, and some control panel lights may activate in error mode. You may ignore these error messages and lights. When the firmware download is complete, reboot the printer and load printer defaults to return the printer to Operating mode.

New or Modified Commands

See *ZPL II Commands* on page 131 for ZPL II commands that changed or that were added specifically for this printer.

Additional Printer Language Information

The following manuals contain specific information about the different printer language modes. Copies of these manuals are on the CD that came with your printer and at <http://www.zebra.com/manuals>.

- ZPL II[®] Programming Guide
- EPL2[™] Programming Guide
- APL-D[™] Reference Guide
- APL-I[™] Reference Guide



Printer Setup

This section provides the tasks that you must complete and the issues that you must consider before you load and configure your printer.

Contents

Before You Begin	24
Handling the Printer	25
Unpack and Inspect the Printer	25
Store the Printer	25
Ship the Printer	25
Select a Site for the Printer	26
Select a Surface	26
Provide Proper Operating Conditions	26
Allow Proper Space	26
Provide a Data Source	26
Provide a Power Source	26
Select a Data Communication Interface	27
Data Cables and Wireless Cards	28
Connect the Printer to the Computer or Network	28
Connect the Printer to a Power Source	30
Power Cord Specifications	31
Types of Media	32
Ribbon Overview	34
When to Use Ribbon	34
Coated Side of Ribbon	34

Before You Begin

Review this checklist, and resolve any issues before you set up or use your printer.

- Unpack and Inspect the Printer** Have you unpacked the printer and inspected it for damage? If you have not, see [Unpack and Inspect the Printer on page 25](#).
- Select a Site** Have you selected an appropriate location for the printer? If you have not, see [Select a Site for the Printer on page 26](#).
- Connect to a Data Source** Have you determined how the printer will connect to a data source (usually a computer)? For more information, see [Select a Data Communication Interface on page 27](#).
- Attach a Power Cord** Do you have the correct power cord for your printer? If you are unsure, see [Power Cord Specifications on page 31](#). To attach the power cord and connect the printer to a power source, see [Connect the Printer to a Power Source on page 30](#).
- Select Media** Do you have the correct media for your application? If you are unsure, see [Types of Media on page 32](#).
- Select Ribbon** Do you need to use ribbon, and is the appropriate ribbon available, if needed? If you are unsure, see [Ribbon Overview on page 34](#).

Handling the Printer

This section describes how to handle your printer.

Unpack and Inspect the Printer

When you receive the printer, immediately unpack it and inspect for shipping damage.

- Save all packing materials.
- Check all exterior surfaces for damage.
- Raise the media door, and inspect the media compartment for damage to components.

If you discover shipping damage upon inspection:

- Immediately notify the shipping company and file a damage report.
- Keep all packaging material for shipping company inspection.
- Notify your authorized Zebra reseller



Important • Zebra Technologies Corporation is not responsible for any damage incurred during the shipment of the equipment and will not repair this damage under warranty.

Store the Printer

If you are not placing the printer into immediate operation, repackage it using the original packing materials. You may store the printer under the conditions shown in [Table 3](#).

Table 3 • Storage Temperature and Humidity

Temperature	Relative Humidity
-40°F to 140°F (-40° to 60°C)	5% to 85% non-condensing

Ship the Printer

If you must ship the printer:

- Turn off (O) the printer, and disconnect all cables.
- Remove any media, ribbon, or loose objects from the printer interior.
- Close the printhead.
- Carefully pack the printer into the original container or a suitable alternate container to avoid damage during transit. A shipping container can be purchased from Zebra if the original packaging has been lost or destroyed.

Select a Site for the Printer

Consider the following when selecting an appropriate location for your printer.

Select a Surface

Select a solid, level surface of sufficient size and strength to accommodate the printer and other equipment (such as a computer), if necessary. The choices include a table, countertop, desk, or cart. For the printer's weight and dimensions, see [General Specifications on page 126](#).

Provide Proper Operating Conditions

This printer is designed to function in a wide range of environmental and electrical conditions, including a warehouse or factory floor. For more information on the required conditions, see [General Specifications on page 126](#).

Table 4 shows the temperature and relative humidity requirements for the printer when it is operating.

Table 4 • Operating Temperature and Humidity

Mode	Temperature	Relative Humidity
Thermal Transfer	40° to 105°F (5° to 40°C)	20 to 85% non-condensing.
Direct Thermal	32° to 105°F (0° to 40°C)	20 to 85% non-condensing

Allow Proper Space

The printer should have enough space around it for you to be able to open the media door. To allow for proper ventilation and cooling, leave open space on all sides of the printer.



Caution • Do not place any padding or cushioning material behind or under the printer because this restricts air flow and could cause the printer to overheat.

Provide a Data Source

If the printer will be located away from the data source (such as a computer), the selected site must provide the appropriate connections to that data source. For more information on the types of communication interfaces and their limitations, see [Select a Data Communication Interface on page 27](#).

Provide a Power Source

Place the printer within a short distance of a power outlet that is easily accessible.

Select a Data Communication Interface

Table 5 provides basic information about data communication interfaces that you can use to connect your printer to a computer. You may send label formats to the printer through any data communication interface that is available. Select an interface that is supported by both your printer and your computer or your Local Area Network (LAN).

Table 5 • Characteristics of the Data Communication Interfaces

Interface	Standard or Optional on Printer	Characteristics
RS-232 Serial	Standard	<ul style="list-style-type: none"> • Maximum cable length of 50 ft (15.24 m). • You may need to change printer parameters to match the host computer. • You need to use a null-modem adaptor to connect to the printer if using a standard modem cable.
IEEE 1284 Bidirectional Parallel	Standard	<ul style="list-style-type: none"> • Maximum cable length of 10 ft (3 m). • Recommended cable length of 6 ft (1.83 m). • An Ethernet print server (if installed) takes up or covers this port on the printer. • No printer parameter changes required to match the host computer.
USB	Standard	<ul style="list-style-type: none"> • Maximum cable length of 16.4 ft (5 m). • No printer parameter changes required to match the host computer.
Internal wired Ethernet print server	Optional	<ul style="list-style-type: none"> • Can print to the printer from any computer on your LAN. • Can communicate with the printer through the printer's web pages when in ZPL mode. • Computer must be equipped with an Ethernet board. • The printer must be configured to use your LAN.
Wireless Ethernet print server	Optional	<ul style="list-style-type: none"> • Can print to the printer from any computer on your Wireless Local Area Network (WLAN). • Can communicate with the printer through the printer's web pages when in ZPL mode. • The printer must be configured to use your WLAN.

Data Cables and Wireless Cards

You must supply all data cables or wireless cards for your application.

Data Cables Ethernet cables do not require shielding, but all other data cables must be fully shielded and fitted with metal or metallized connector shells. Unshielded data cables may increase radiated emissions above the regulated limits.

To minimize electrical noise pickup in the cable:

- Keep data cables as short as possible.
- Do not bundle the data cables tightly with the power cords.
- Do not tie the data cables to power wire conduits.

Wireless Cards For supported wireless cards, refer to the *ZebraNet Wireless User Guide*. A copy of the manual is available at <http://www.zebra.com/manuals> or on the user CD that came with your printer.

Connect the Printer to the Computer or Network


Table 6 shows how to connect the different types of data cables to your printer and computer. The connectors on the back of your computer may be in different locations than on the sample computer shown in this section.

Caution • Ensure that the printer power is off (O) before connecting data communications cables. Connecting a data communications cable while the power is on (I) may damage the printer.

Table 6 • Connecting the Printer to a Computer or Network

Interface	Connection and Configuration
RS-232 Serial	The baud rate, number of data and stop bits, the parity, and the XON/XOFF or DTR control must match those of the host computer. See Control Panel Parameters on page 72 to view or change these parameters.
IEEE 1284 Bidirectional Parallel	No additional configuration is necessary. An Ethernet print server (if installed) takes up or covers this port on the printer.
USB	No additional configuration is necessary. Caution • Be careful not to plug the USB cable into the wired Ethernet print server connector on the printer because doing so will damage the connector.

Table 6 • Connecting the Printer to a Computer or Network (Continued)

Interface	Connection and Configuration
Internal wired Ethernet print server	<p>Refer to the <i>ZebraNet 10/100 Print Server User and Reference Guide</i> for configuration instructions. A copy of this manual is available at http://www.zebra.com/manuals or on the user CD that came with your printer.</p> <p> Note • To use this connection, you may need to remove a factory-installed plug that is designed to keep someone from accidentally plugging a USB connector into this port.</p>
Wireless Ethernet print server	<p>Refer to the <i>ZebraNet Wireless User Guide</i> for configuration instructions. A copy of this manual is available at http://www.zebra.com/manuals or on the user CD that came with your printer.</p>

Connect the Printer to a Power Source

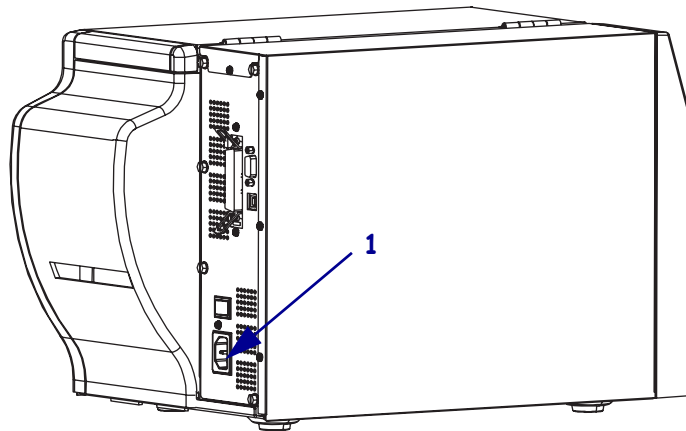
The AC power cord must have a three-prong female connector on one end that plugs into the mating AC power connector at the rear of the printer. If a power cable was not included with your printer, refer to *Power Cord Specifications* on page 31.



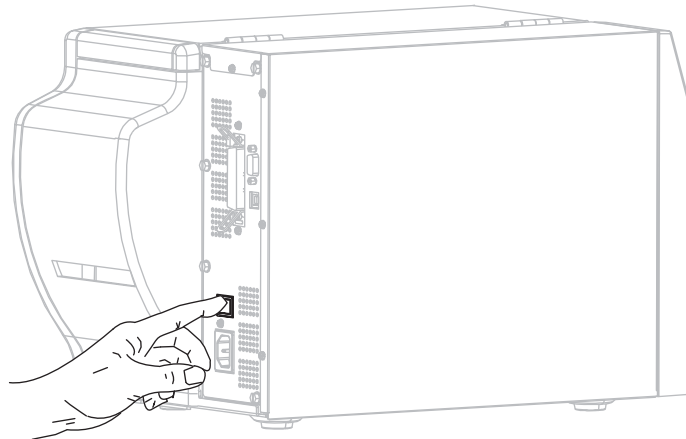
Caution • For personnel and equipment safety, always use an approved three-conductor power cord specific to the region or country intended for installation. This cord must use an IEC 320 female connector and the appropriate region-specific three-conductor grounded plug configuration.

To connect the printer to a power source, complete these steps:

1. Toggle the printer power switch to the off (O) position.
2. Plug the power cord into the AC power connector (1) on the rear of the printer.



3. Plug the other end of the power cord into a power outlet near the printer.
4. Turn on (I) the printer.



The control panel LCD and lights activate, indicating that the printer is booting up.

Power Cord Specifications

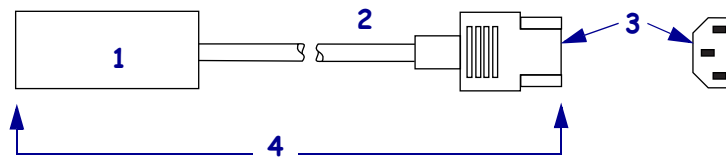


Caution • For personnel and equipment safety, always use an approved three-conductor power cord specific to the region or country intended for installation. This cord must use an IEC 320 female connector and the appropriate region-specific, three-conductor grounded plug configuration.

Depending on how your printer was ordered, a power cord may or may not be included. If one is not included or if the one included is not suitable for your requirements, see [Figure 6](#) and refer to the following guidelines:

- The overall cord length must be less than 9.8 ft. (3 m).
- The cord must be rated for at least 10 A, 250 V.
- The chassis ground (earth) **must** be connected to ensure safety and reduce electromagnetic interference.

Figure 6 • Power Cord Specifications



1	AC power plug for your country—This should bear the certification mark of at least one of the known international safety organizations (Figure 7).
2	3-conductor HAR cable or other cable approved for your country.
3	IEC 320 connector—This should bear the certification mark of at least one of the known international safety organizations (Figure 7).
4	Length ≤ 9.8 ft. (3 m). Rating 10 Amp, 250 VAC.

Figure 7 • International Safety Organization Certifications



Types of Media



Important • Zebra strongly recommends the use of Zebra-brand supplies for continuous high-quality printing. A wide range of paper, polypropylene, polyester, and vinyl stock has been specifically engineered to enhance the printing capabilities of the printer and to prevent premature printhead wear. To purchase supplies, go to <http://www.zebra.com/howtobuy>.

Your printer can use various types of media:

- *Standard media*—Most standard media uses an adhesive backing that sticks individual labels or a continuous length of labels to a liner.
- *Tag stock*—Tags are usually made from a heavy paper. Tag stock does not have adhesive or a liner, and it is typically perforated between tags.

Table 7 describes roll and fanfold media. Roll media is loaded into the printer while fanfold media may be located inside or outside of the printer.

Table 7 • Roll and Fanfold Media

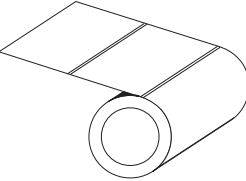
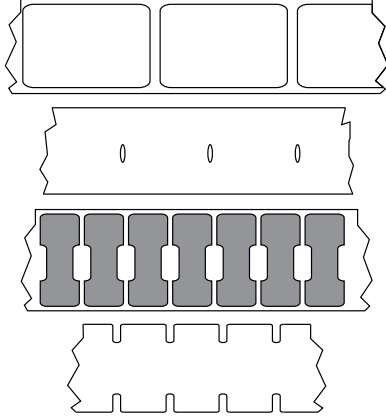

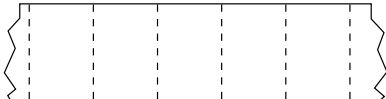
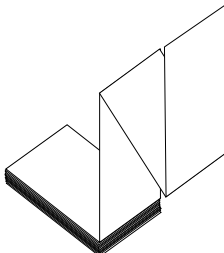
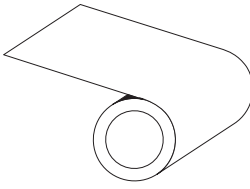
Media Type	How It Looks	Description
<p>Non-Continuous Roll Media</p>		<p>Roll media is wound on a core that can be 1 in. to 3 in. (25 to 76 mm) in diameter. Individual labels are separated by one or more of the following methods:</p> <ul style="list-style-type: none"> • <i>Web media</i> separates labels by gaps, holes, or notches. <div style="text-align: center;">  </div> • <i>Black mark media</i> uses pre-printed black marks on the back side of the media to indicate label separations. <div style="text-align: center;">  </div> • <i>Perforated media</i> has perforations that allow the labels or tags to be separated from each other easily. The media may also have black marks or other separations between labels or tags. <div style="text-align: center;">  </div>

Table 7 • Roll and Fanfold Media (Continued)

Media Type	How It Looks	Description
<p>Non-Continuous Fanfold Media</p>		<p>Fanfold media is folded in a zigzag pattern. Fanfold media can have the same label separations as non-continuous roll media. The separations would fall on or near the folds.</p>
<p>Continuous Roll Media</p>		<p>Roll media is wound on a core that can be 1 in. to 3 in. (25 to 76 mm) in diameter. Continuous roll media does not have gaps, holes, notches, or black marks to indicate label separations. This allows the image to be printed anywhere on the label. Sometimes a cutter is used to cut apart individual labels.</p>

Ribbon Overview



Note • This section applies only to printers that have the Thermal Transfer option installed.

Ribbon is a thin film that is coated on one side with wax, resin, or wax resin, which is transferred to the media during the thermal transfer process. The media determines whether you need to use ribbon and how wide the ribbon must be.

When ribbon is used, it must be as wide as or wider than the media being used. If the ribbon is narrower than the media, areas of the printhead are unprotected and subject to premature wear.

When to Use Ribbon

Thermal transfer media requires ribbon for printing while direct thermal media does not. To determine if ribbon must be used with a particular media, perform a media scratch test.

To perform a media scratch test, complete these steps:

1. Scratch the print surface of the media rapidly with your fingernail.
2. Did a black mark appear on the media?

If a black mark...	Then the media is...
Does not appear on the media	Thermal transfer. A ribbon is required.
Appears on the media	Direct thermal. No ribbon is required.

Coated Side of Ribbon

Ribbon can be wound with the coated side on the inside or outside (Figure 8). This printer can only use ribbon that is coated on the outside. If you are unsure which side of a particular roll of ribbon is coated, perform an adhesive test or a ribbon scratch test to determine which side is coated.

Figure 8 • Ribbon Coated on Outside or Inside



Adhesive Test

If you have labels available, perform the adhesive test to determine which side of a ribbon is coated. This method works well for ribbon that is already installed.

To perform an adhesive test, complete these steps:

1. Peel a label from its liner.
2. Press a corner of the sticky side of the label to the outer surface of the roll of ribbon.
3. Peel the label off of the ribbon.
4. Observe the results. Did flakes or particles of ink from the ribbon adhere to the label?

If ink from the ribbon...	Then...
Adhered to the label	The ribbon is coated on the outside and can be used in this printer.
Did not adhere to the label	The ribbon is coated on the inside and cannot be used in this printer. To verify this, repeat the test on the other surface of the roll of ribbon.

Ribbon Scratch Test

Perform the ribbon scratch test when labels are unavailable.

To perform a ribbon scratch test, complete these steps:

1. Unroll a short length of ribbon.
2. Place the unrolled section of ribbon on a piece of paper with the outer surface of the ribbon in contact with the paper.
3. Scratch the inner surface of the unrolled ribbon with your fingernail.
4. Lift the ribbon from the paper.
5. Observe the results. Did the ribbon leave a mark on the paper?

If the ribbon...	Then...
Left a mark on the paper	The ribbon is coated on the outer surface.
Did not leave a mark on the paper	The ribbon is coated on the inner surface and cannot be used in this printer. To verify this, repeat the test on the other surface of the roll of ribbon.



Notes • _____



Operations

This section provides the procedures for loading and calibrating the printer.



Note • Complete the tasks and resolve the issues in [Printer Setup on page 23](#) before operating the printer.

Contents

Print Modes and Printer Options	38
Print Mode Descriptions and Printer Requirements	38
Media Paths	38
Start a Roll of Media	39
Insert Media into the Printer	40
Load Media in Tear-Off Mode	42
Load Media in Peel-Off Mode	45
Load Media in Cutter Mode	50
Load Ribbon	53
Remove Used Ribbon	57
Calibrate the Printer	58
Auto Calibration	58
Manual Calibration	58
Select or Adjust the Media Sensors	59
Select the Transmissive Sensor	59
Adjust the Reflective Sensor	59
Adjust Printhead Pressure	61

Print Modes and Printer Options

The printer can use different print modes and options for label removal (Table 8). Use a print mode that matches the media being used and the printer options available. For more information on the types of media, see *Types of Media* on page 32. To select a print mode, see *Select the Label Removal Method* on page 74.

Print Mode Descriptions and Printer Requirements

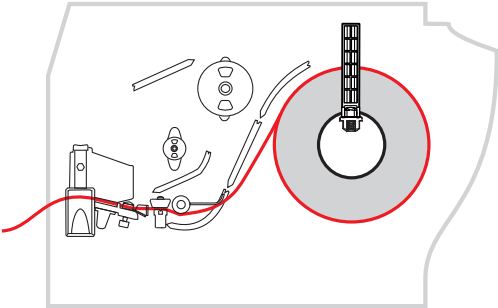
Table 8 • Print Modes and Printer Options

Print Mode	When to Use/Printer Options Required	Printer Actions
Tear-Off (default setting)	Use for most applications. This mode can be used with any printer options and most media types.	The printer prints label formats as it receives them. The printer operator can tear off the printed labels any time after they print.
Peel-Off	Use only if the printer has the Peel-Off option.	The printer peels the label from the liner during printing and then pauses until the label is removed. The liner exits the front of the printer.
Cutter	Use if the printer has a cutter option when you want the labels to be cut apart.	The printer prints a label and then cuts it free.

Media Paths

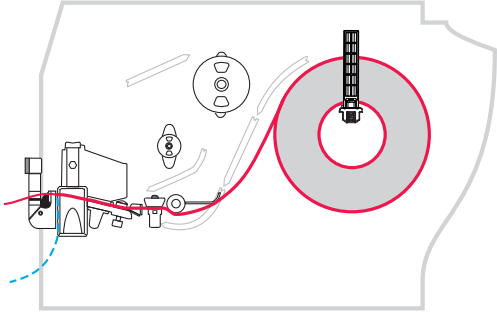
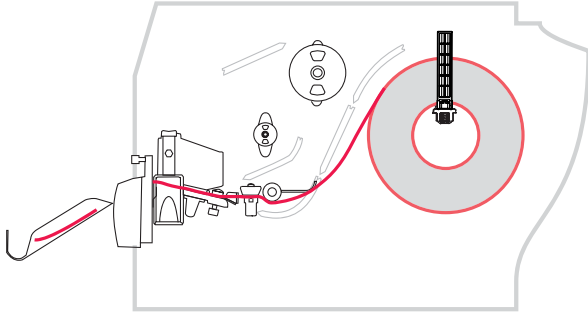
Table 9 shows the media paths for print mode and printer option combinations using roll media. Fanfold media uses the same print modes and printer options as roll media.

Table 9 • Media Paths for Print Modes with Various Printer Options

Print Mode	Printer Option	Media Path
Tear-Off	Printers with any printer options can use Tear-Off mode	

Red solid lines = media, Blue dotted lines = backing only

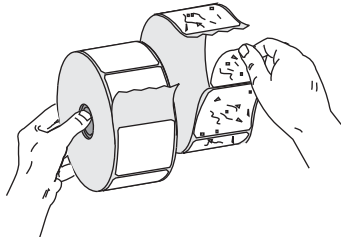
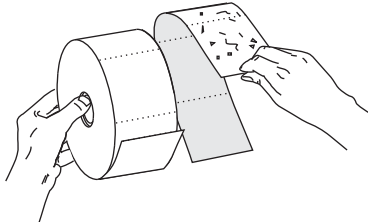
Table 9 • Media Paths for Print Modes with Various Printer Options (Continued)

Print Mode	Printer Option	Media Path
Peel-Off	Peel, Liner take-up, or Rewind	
Cutter	Cutter (shown with an optional catch tray)	

Red solid lines = media, Blue dotted lines = backing only

Start a Roll of Media

Exposed media may become dirty when handled or stored. To start a roll of media, remove and discard one full revolution of labels or tags and any liner.

Labels	Tag Stock
<p>Remove all labels that are held by adhesives or tape.</p> 	<p>Detach all exposed tags.</p> 

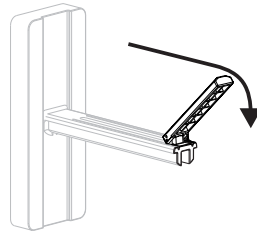
Insert Media into the Printer

This section shows how to insert roll or fanfold media into the printer. Fanfold media is loaded the same way as roll media, except the media is stored outside of the printer.

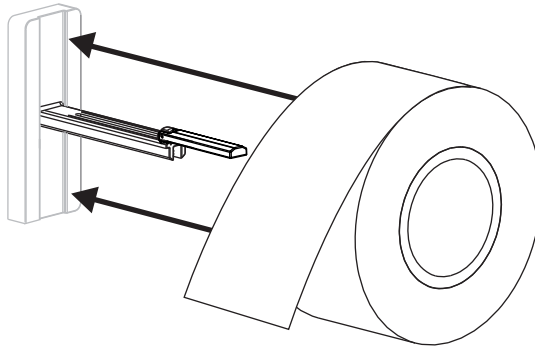
Roll Media

To insert roll media, complete these steps:

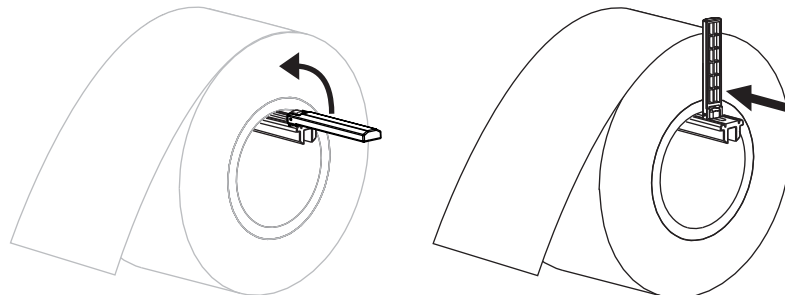
1. Flip down the media supply guide.



2. Place the roll of media on the media supply hanger. Push the roll as far back as it will go.



3. Flip up the media supply guide, and then slide it in until it touches, but does not restrict, the edge of the roll.

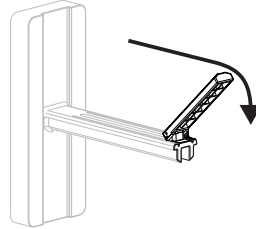


4. Continue with the media loading procedure for the desired print mode.

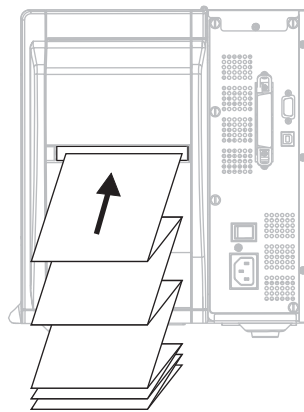
Fanfold Media

To insert fanfold media, complete these steps:

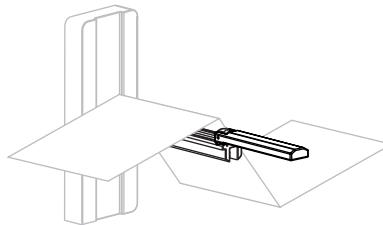
1. Flip down the media supply guide.



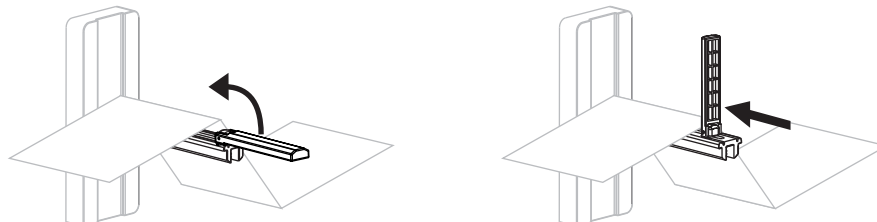
2. Insert the fanfold media through the fanfold media slot on the rear of the printer.



3. Drape the media over the media supply hanger.



4. Flip up the media supply guide, and then slide it in until it touches, but does not restrict, the edge of the media.

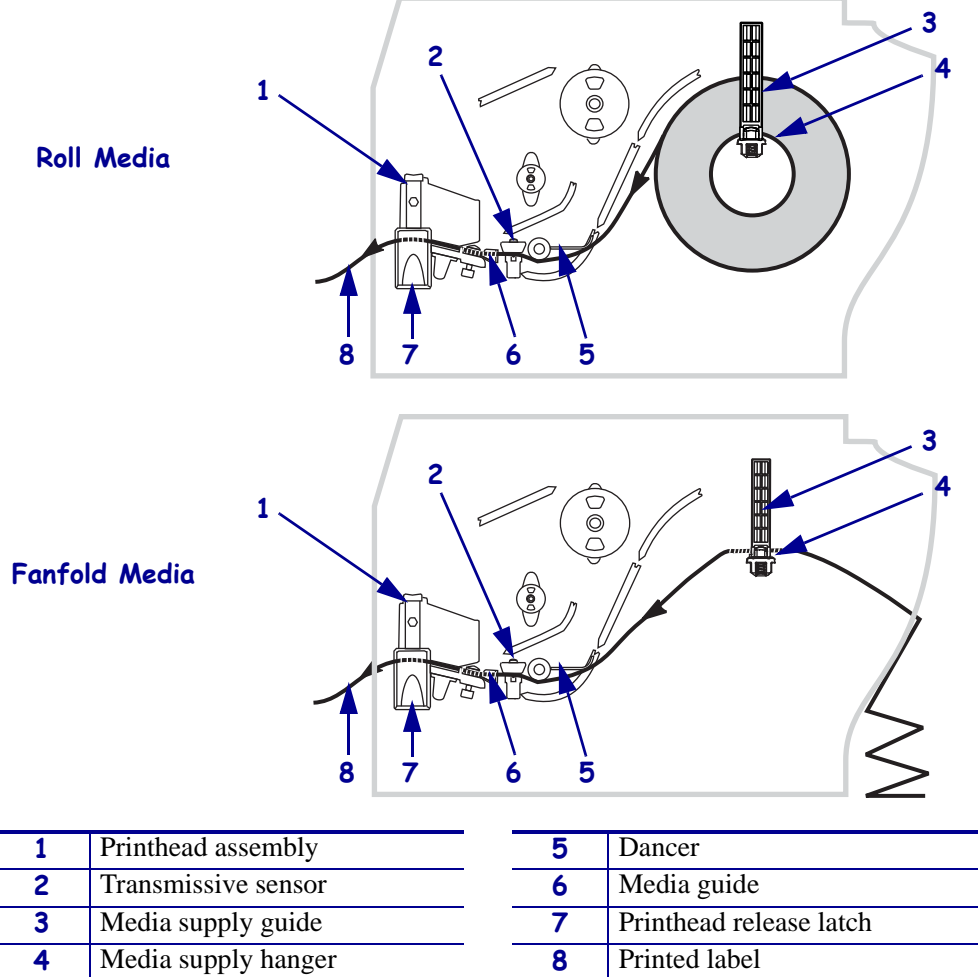


5. Continue with the media loading procedure for the desired print mode.

Load Media in Tear-Off Mode

Figure 9 shows roll and fanfold media loaded in Tear-Off mode, which is the default print mode.

Figure 9 • Tear-Off Mode

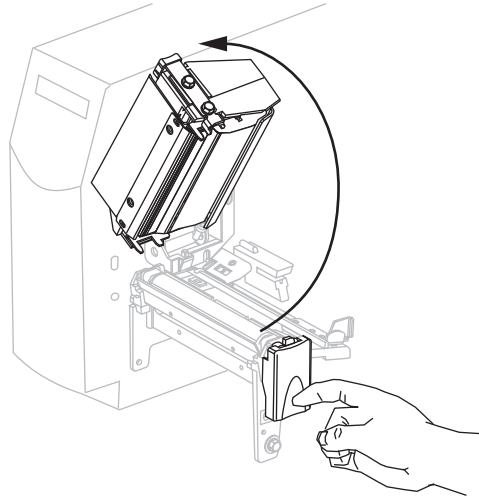


Caution • While performing any tasks near an open printhead, remove all rings, watches, hanging necklaces, identification badges, or other metallic objects that could touch the printhead. You are not required to turn off the printer power when working near an open printhead, but Zebra recommends it as a precaution. If you turn off the power, you will lose all temporary settings, such as label formats, and you must reload them before you resume printing.

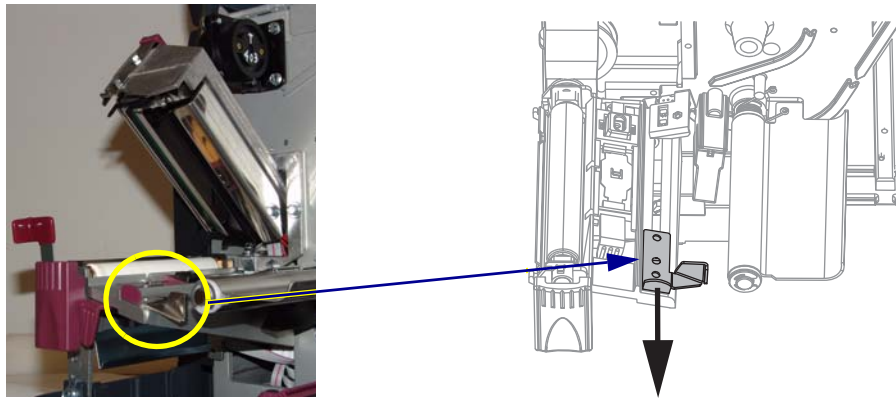
To load media in Tear-Off Mode, complete these steps:

1. Set the printer to Tear-Off mode. See [Select the Label Removal Method on page 74](#) for instructions.
2. Insert media into the printer. See [Insert Media into the Printer on page 40](#) for instructions.

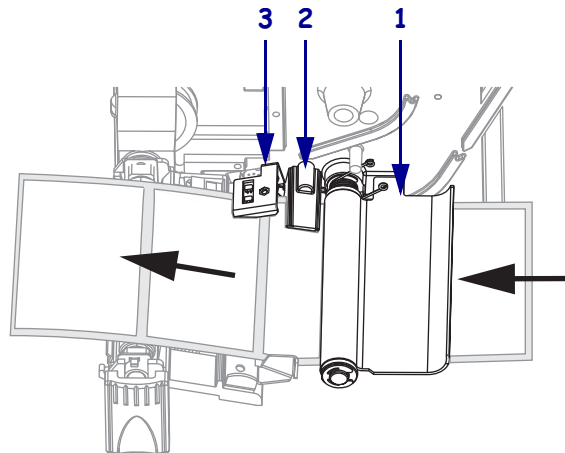
3. Press the printhead release latch to open the printhead assembly. Lift the printhead until it latches open.



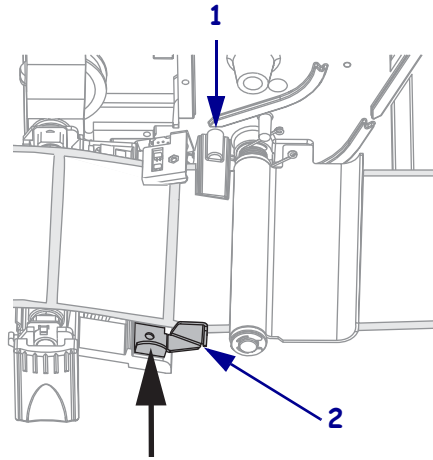
4. Slide out the media guide.



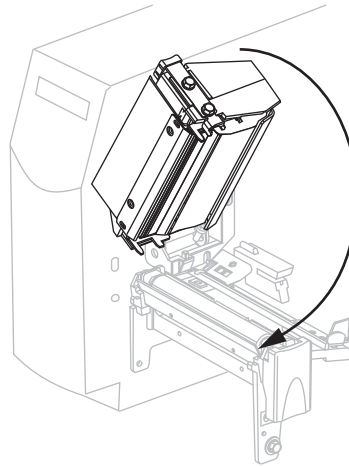
5. Feed the media under the dancer assembly (1), through the slot in the transmissive sensor (2—standard transmissive sensor shown), and under the ribbon sensor (3).



6. Push the media to the back of the transmissive sensor (1). Slide in the media guide (2) until it just touches the edge of the media.



7. Close the printhead assembly.



8. If the printer is paused (the PAUSE light is blinking), press PAUSE to enable printing.

Load Media in Peel-Off Mode

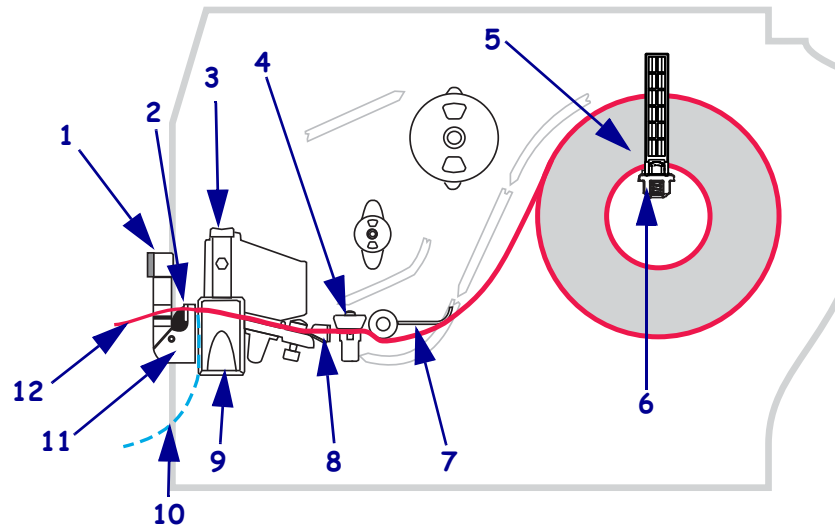
This section applies only if the Peel-Off option is installed (Figure 10).

The peel assembly consists of several spring-loaded rollers to ensure the proper roller pressure. Use the peel release lever and your right hand to open and close the peel assembly. Doing this will keep your fingers away from the rollers.



Caution • Do not use your left hand to assist in closing the peel assembly. The top edge of the peel roller/assembly could pinch your fingers.

Figure 10 • Peel-Off Mode



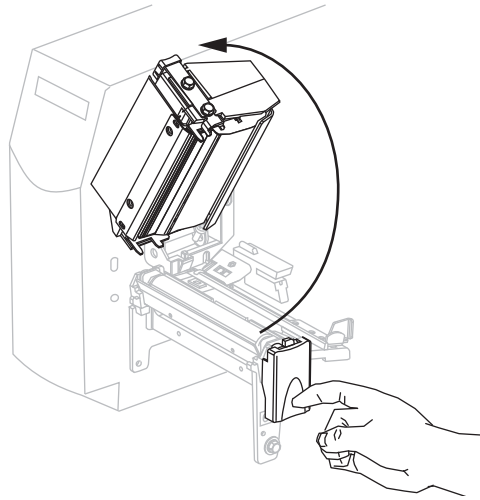
1	Peel lever
2	Tear-off/peel-off bar
3	Printhead assembly
4	Transmissive sensor
5	Media supply guide
6	Media supply hanger

7	Dancer
8	Media guide
9	Printhead release latch
10	Label liner
11	Peel assembly
12	Label

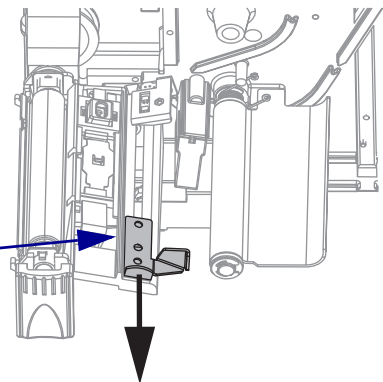
Caution • While performing any tasks near an open printhead, remove all rings, watches, hanging necklaces, identification badges, or other metallic objects that could touch the printhead. You are not required to turn off the printer power when working near an open printhead, but Zebra recommends it as a precaution. If you turn off the power, you will lose all temporary settings, such as label formats, and you must reload them before you resume printing.

To load media in Peel-Off mode, complete these steps:

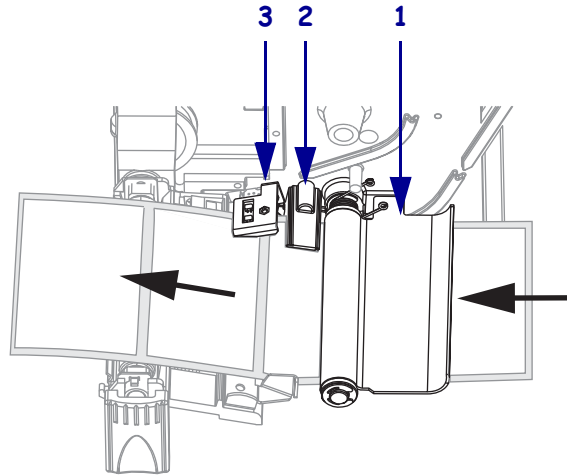
1. Press the printhead release latch to open the printhead assembly.



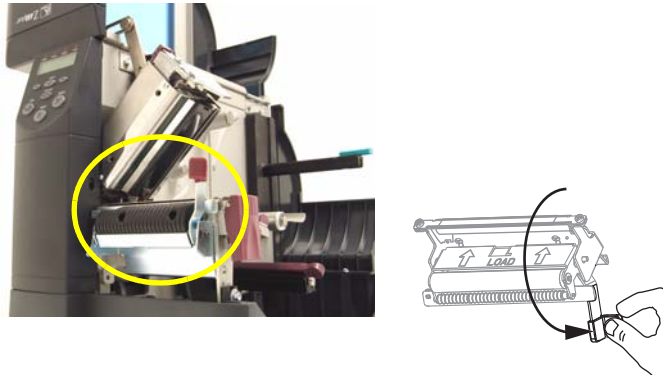
2. Lift the printhead until it latches open.
3. Slide out the media guide.



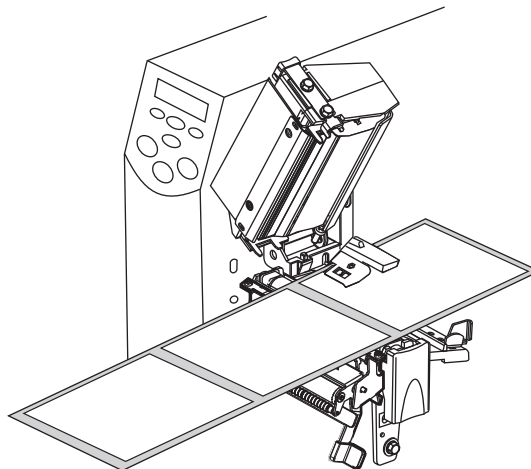
4. Feed the media under the dancer assembly (1), through the slot in the transmissive sensor (2—standard transmissive sensor shown), and under the ribbon sensor (3).



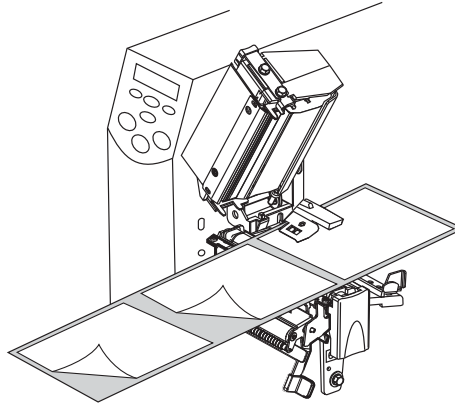
5. Push down the peel-off mechanism release lever to open the peel assembly.



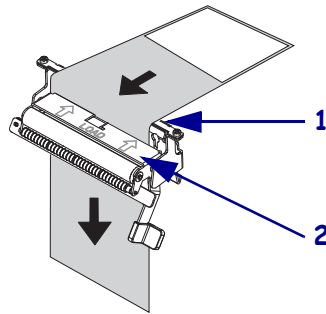
6. Pull approximately 18 in. (500 mm) of media through the front of the printer.



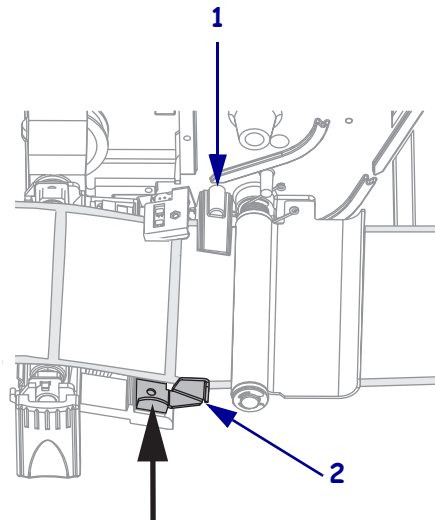
7. Remove the exposed labels so that only the liner remains.



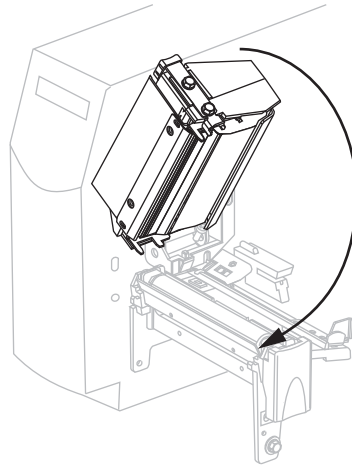
8. Feed the liner over the tear-off/peel-off bar (1) and behind the peel assembly (2). Make sure that the end of the liner falls outside of the printer.



9. Push the media to the back of the transmissive sensor (1). Slide in the media guide (2) until it just touches the edge of the media.

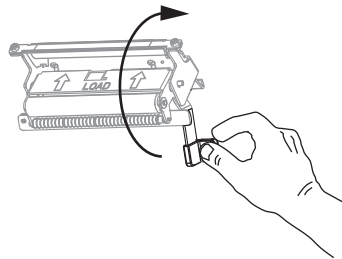


10. Close the printhead assembly.



11. **Caution** • Use the peel release lever and your right hand to close the peel assembly. Do not use your left hand to assist in closing. The top edge of the peel roller/assembly could pinch your fingers.

Close the peel assembly using the peel-off mechanism release lever.

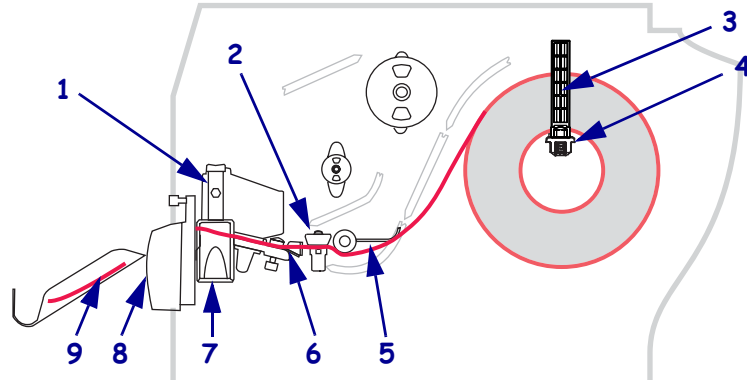


12. Set the printer to Peel-Off mode. See [Select the Label Removal Method on page 74](#) for instructions.
13. If the printer is paused (the PAUSE light is blinking), press PAUSE to enable printing. Peeling starts automatically.

Load Media in Cutter Mode

Figure 9 shows roll and fanfold media loaded in Cutter mode.

Figure 11 • Cutter Mode



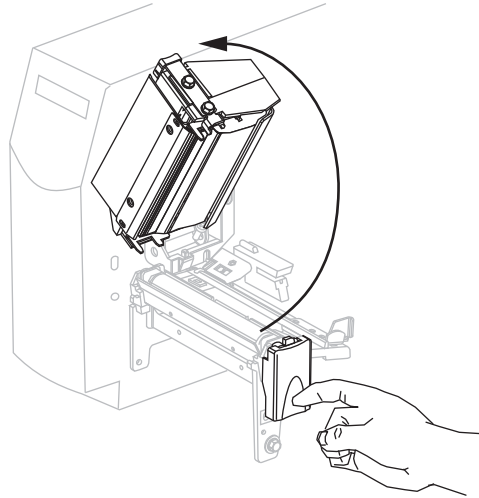
1	Printhead assembly	6	Media guide
2	Transmissive sensor	7	Printhead release latch
3	Media supply guide	8	Cutter
4	Media supply hanger	9	Printed label
5	Dancer		

Caution • While performing any tasks near an open printhead, remove all rings, watches, hanging necklaces, identification badges, or other metallic objects that could touch the printhead. You are not required to turn off the printer power when working near an open printhead, but Zebra recommends it as a precaution. If you turn off the power, you will lose all temporary settings, such as label formats, and you must reload them before you resume printing.

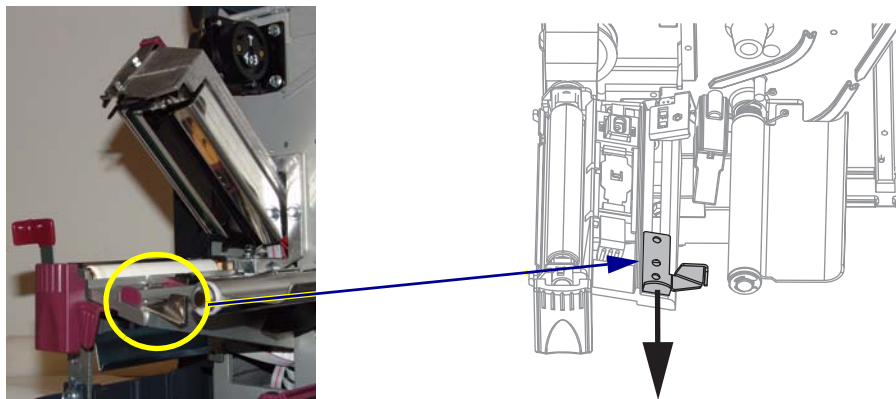
To load media in Cutter Mode, complete these steps:

1. Set the printer to Cutter mode. See [Select the Label Removal Method on page 74](#) for instructions.
2. Insert media into the printer. See [Insert Media into the Printer on page 40](#) for instructions.

3. Press the printhead release latch to open the printhead assembly. Lift the printhead until it latches open.

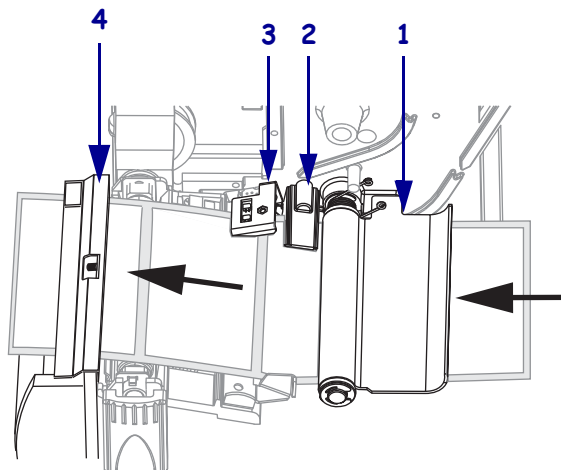


4. Slide out the media guide.

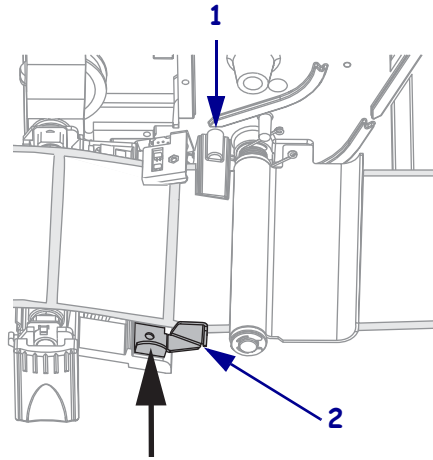


5. **Caution** • The cutter blade is sharp. Do not touch or rub the blade with your fingers.

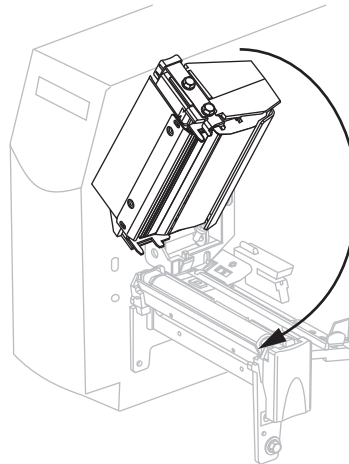
Feed the media under the dancer assembly (1), through the slot in the transmissive sensor (2—standard transmissive sensor shown), under the printhead-open sensor (3), and through the cutter (4).



6. Push the media to the back of the transmissive sensor (1). Slide in the media guide (2) until it just touches the edge of the media.



7. Close the printhead assembly.



8. If the printer is paused (the PAUSE light is blinking), press PAUSE to enable printing.

Load Ribbon

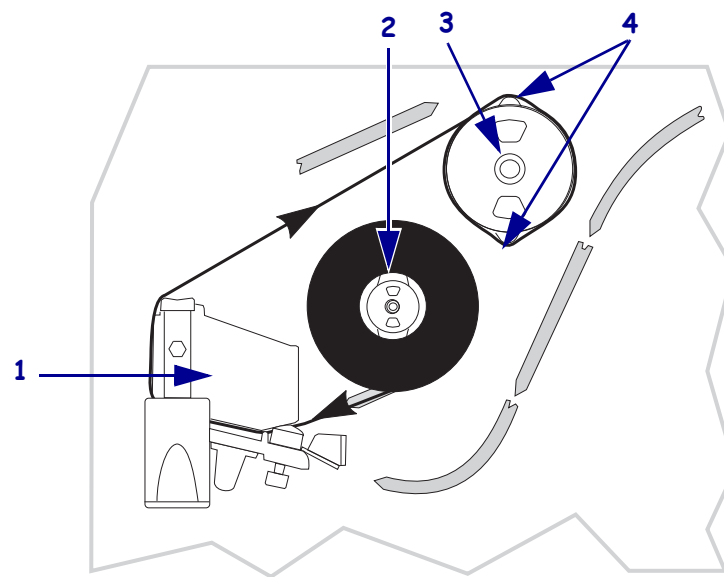


Note • This section applies only to printers that have the Thermal Transfer option installed.

The ribbon supply spindle in your printer is a dual-tension variety. Most applications require the spindle to be in the normal position. The low tension position is recommended only when a narrow ribbon is used or if normal tension hampers the ribbon movement.

Always use ribbon that is wider than the media to protect the printhead from wear. For direct thermal printing, do not load ribbon in the printer.

Figure 12 • Ribbon Path



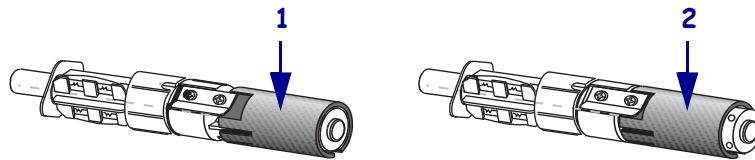
1	Printhead assembly
2	Ribbon supply spindle
3	Ribbon take-up spindle
4	Tension blades

Caution • While performing any tasks near an open printhead, remove all rings, watches, hanging necklaces, identification badges, or other metallic objects that could touch the printhead. You are not required to turn off the printer power when working near an open printhead, but Zebra recommends it as a precaution. If you turn off the power, you will lose all temporary settings, such as label formats, and you must reload them before you resume printing.

To load ribbon, complete these steps:

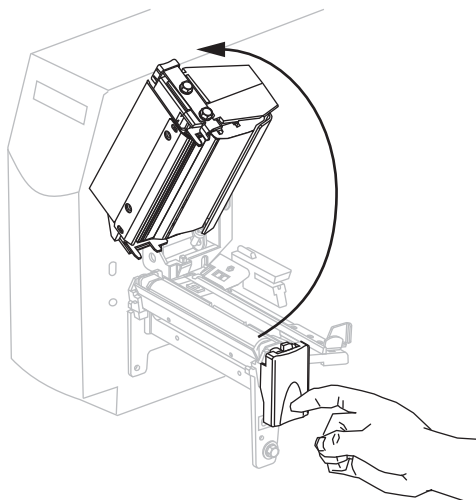
1. Set the ribbon supply spindle for normal or low tension.
 - To place the ribbon supply spindle in the **normal position**, firmly pull out the spindle end cap until it extends and clicks in place, as shown in [Figure 13](#). Use this setting for most applications.
 - To place the ribbon supply spindle in the **low-tension position**, firmly push in the end cap until it retracts and clicks in place, as shown in [Figure 13](#). Use this setting when using a narrow ribbon or if normal tension hampers ribbon movement.

Figure 13 • Ribbon Spindle—Normal and Low Tension

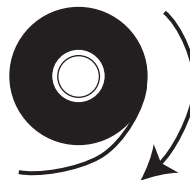


1	Normal Position (Spindle End Cap Extended)
2	Low-Tension Position (Spindle End Cap Retracted)

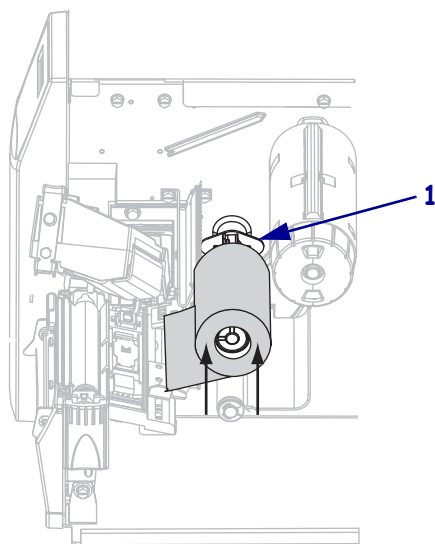
2. Press the printhead release latch to open the printhead assembly. Lift the printhead until it latches open.



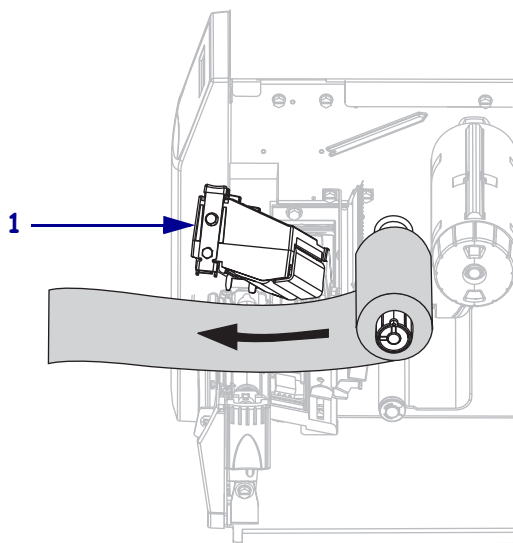
3. Orient the ribbon with the loose end unrolling clockwise.



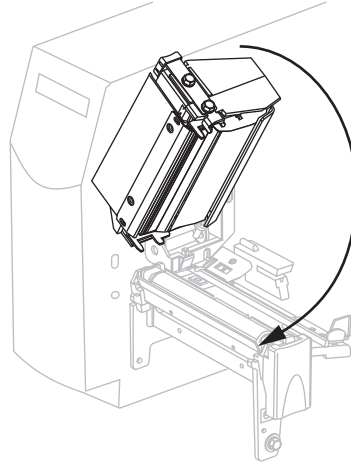
4. Place the roll of ribbon on the ribbon supply spindle (1) and push it all the way back.



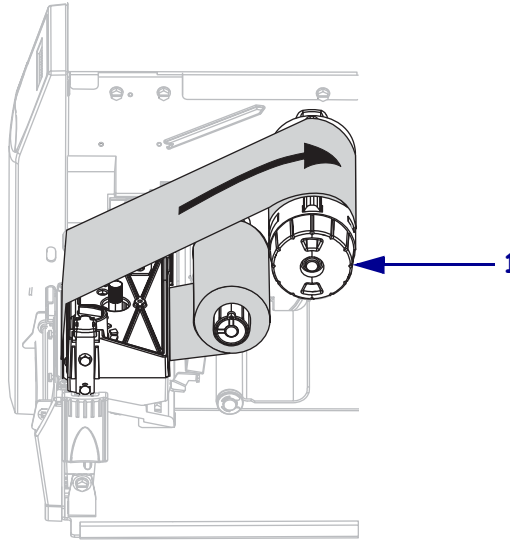
5. Pull the end of the ribbon under the printhead assembly (1) and out the front of the printer.



6. Close the printhead assembly.



7. Wind the ribbon clockwise onto the ribbon take-up spindle (1).



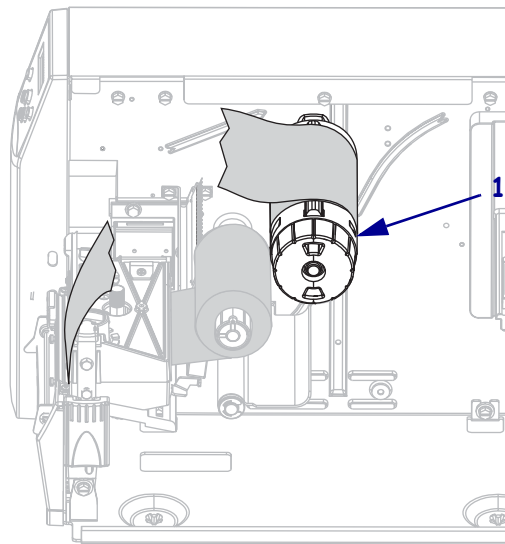
Remove Used Ribbon

Remove used ribbon from the ribbon take-up spindle each time you change the roll of ribbon or when switching from thermal transfer mode to direct thermal mode.

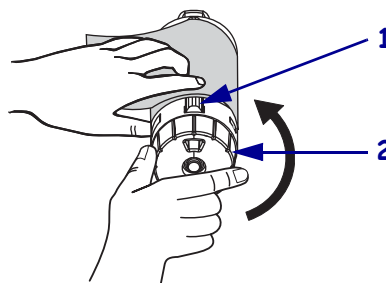
To remove used ribbon, complete these steps:

- 1. Caution •** Do not cut the ribbon directly on the ribbon take-up spindle. Doing so may damage the spindle.

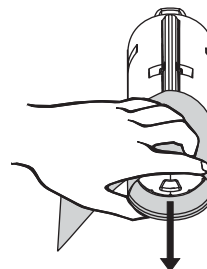
If the ribbon has not run out, cut or break it before the ribbon take-up spindle (1).



- 2.** To loosen the ribbon, squeeze it against the ribbon take-up spindle tension blades (1). At the same time, turn the ribbon take-up spindle release knob counterclockwise (2). The tension blades collapse into the ribbon take-up spindle, loosening the ribbon.



- 3.** Slide the used ribbon off of the ribbon take-up spindle and discard.



Calibrate the Printer

The printer can be set to calibrate automatically, or you can calibrate it manually.

Auto Calibration

When the control panel setting for automatically calibrates on power up or when the printhead is closed. During auto calibration, the printer determines the label length and sensor settings. The results of the auto calibration are stored in the printer's memory and are retained even if printer power is removed. These parameters remain in effect until the next calibration is performed.

Manual Calibration

Perform a media and ribbon sensor calibration to reset the sensitivity of the sensors so the media and ribbon are detected more accurately. If you change the type of ribbon or media, your printer may operate better if you perform this calibration.

For instructions, refer to [Calibrate Media and Ribbon Sensors on page 85](#).

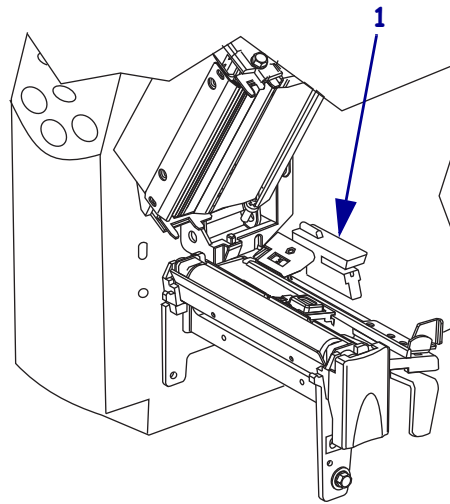
Select or Adjust the Media Sensors

This printer uses two types of media sensors: transmissive and reflective.

Select the Transmissive Sensor

The standard transmissive sensor ([Figure 14](#)) is in a fixed position and enabled from the control panel. For more information about the operation of this sensor, see [Select the Media Sensor on page 74](#).

Figure 14 • Transmissive Sensor



1	Standard transmissive sensor
----------	------------------------------

Adjust the Reflective Sensor

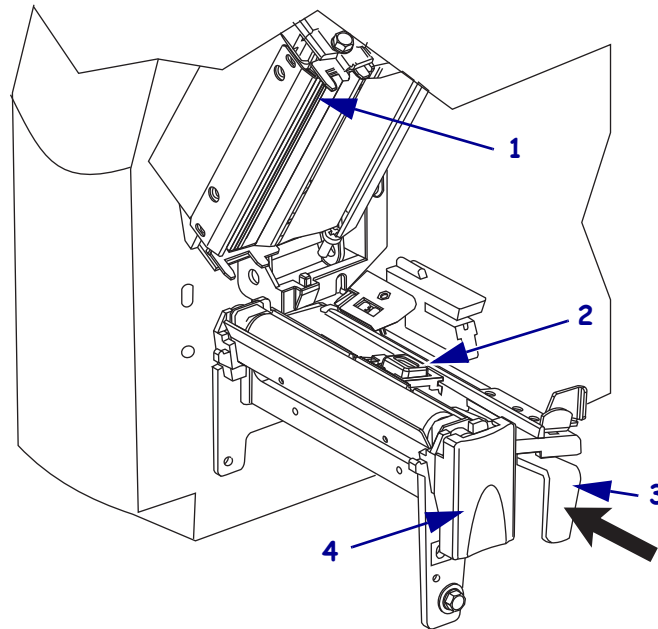
The reflective sensor is compatible with most types of media. With non-continuous media, the reflective sensor detects the start-of-label indicator (the notch, hole, black mark, or gap between die-cut labels). With both continuous media and non-continuous media, the sensor detects an out-of-paper condition. If you have difficulties with calibration while using this sensor, use the transmissive sensor (see [Select the Media Sensor on page 74](#)).

Position the reflective sensor in the following way:

- directly under the notch, hole, or black mark with these types of labels
- anywhere along the width of the media if there is a gap between labels
- anywhere under the media for continuous media

The glow of the red light through the media may help you accurately position the sensor.

Figure 15 • Adjusting the Reflective Sensor



1	Printhead assembly
2	Reflective sensor
3	Reflective sensor positioning lever
4	Printhead release latch

To adjust the reflective sensor, complete these steps:

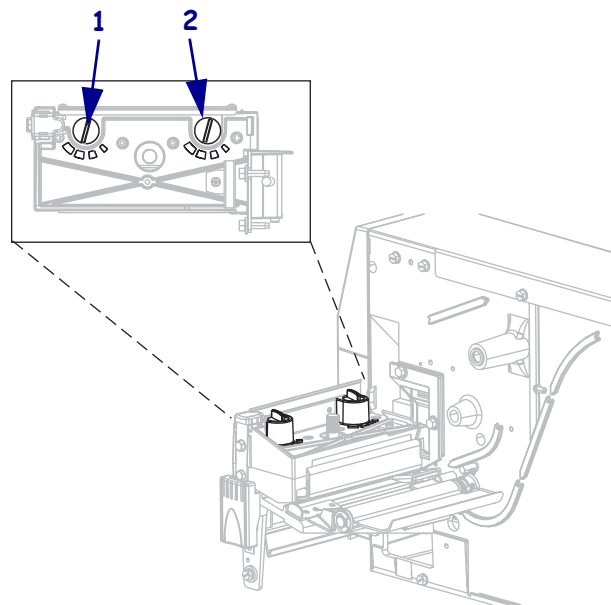
1. See [Figure 15](#). Press the printhead release latch.
2. Lift the printhead until it latches open.
3. Locate the reflective sensor positioning lever.
4. Move the reflective sensor positioning lever across the width of the media until the reflective sensor aligns with the gap or notch.
5. Close the printhead assembly.

Adjust Printhead Pressure

You may need to adjust printhead pressure if printing is too light on one side, if you use thick media, or if the media drifts from side to side during printing.

See [Figure 16](#). The pressure adjustment dials have four possible settings designated by blocks of increasing size embossed on the print mechanism. The smallest block (fully counterclockwise) is considered position 1, and the largest block (fully clockwise) is considered position 4.

Figure 16 • Printhead Pressure Adjustment Dials



1	Outside dial
2	Inside dial

To set printhead pressure, complete these steps:

1. Use [Table 10](#) to select the initial dial settings for your media.

Table 10 • Printhead Pressure

Media Width	Inside Dial	Outside Dial
1 in. (25.4 mm)	3	1
2 in. (51 mm)	4	1
3 in. (76 mm)	3	2
3.5 in. and up (89 mm and up)	3	3

2. If necessary, adjust the pressure adjustment dials as follows:

If the media...	Then...
Requires higher pressure to print well	Increase both dials one position.
Shifts left while printing	Increase the outside dial setting one position, or decrease the inside dial setting one position.
Shifts right while printing	Increase the inside dial setting one position, or decrease the outside dial setting one position.
Prints too lightly on the left side of the label.	Increase the inside dial setting one position.
Prints too lightly on the right side of the label.	Increase the outside dial setting one position.



Configuration

This section discusses printer configuration settings and instructs you how to view or change printer parameters through the control panel.

Contents

Setup Mode	64
Enter Setup Mode	64
Leave Setup Mode	64
Password Protection of Parameters	66
Printing Configuration Labels	68
Select a Display Language	71
Control Panel Parameters	72
Password Level 1 and 2 Parameters	72
Password Level 3 Parameters	77

Setup Mode

After you have installed the media and ribbon and the Power-On Self Test (POST) is complete, the control panel displays **PRINTER READY**. You may now set printer parameters for your application using the control panel LCD and the buttons directly below it. If it becomes necessary to restore the initial printer defaults, see [FEED and PAUSE Self Test on page 120](#).



Important • Certain printing conditions may require that you adjust some printing parameters, such as print speed or darkness. These conditions include (but are not limited to):

- printing at high speeds
- peeling the media
- the use of extremely thin, small, synthetic, or coated labels

Because these and other factors affect print quality, run tests to determine the best combination of printer settings and media for your application. A poor match may limit print quality or print rate, or the printer may not function properly in the desired print mode.

Enter Setup Mode

To enter Setup mode, complete these steps:

1. Press MENU.
2. Use the left or right arrow to scroll through the parameters.

Leave Setup Mode

You can leave Setup mode at any time. As you leave Setup mode, you may choose to save or discard changes that you made, or you may return to where you were in Setup mode.

To exit Setup mode, complete these steps:

1. Press MENU.
The printer displays **SAVE CHANGES** and activates the ENTER button.
2. Do you wish to save changes that were made since you entered Setup mode?

If you wish to...	Then...
Save changes	<ol style="list-style-type: none">a. If necessary, press the up or down arrow to select YES.b. Press ENTER. The printer saves changes and exits Setup mode.

If you wish to...	Then...
Discard changes	<ol style="list-style-type: none"> a. Press the up or down arrow to select NO. b. Press ENTER. The printer discards changes and exits Setup mode.
Return to Setup mode	<p>Press one of the following buttons:</p> <ul style="list-style-type: none"> • MENU returns you to the same parameter. • The left arrow takes you to the previous parameter. • The right arrow takes you to the next parameter.

Password Protection of Parameters

The printer has four levels of passwords. When you enter Setup mode on the control panel, only those parameters that are not password-protected are displayed. To see more parameters, you must enter an appropriate password at the **ADVANCED SETUP** prompt. After you enter a password correctly, you do not have to enter it again until you leave and reenter Setup mode.

When you are prompted for a password, enter the password for the level displayed or for a higher level. Entering a higher level password will unprotect the parameters for that level and for all levels below it (for example, unprotecting level 4 parameters also unprotects levels 1, 2, and 3).

The password levels and default passwords are shown in [Table 11](#). To change the password for any level, use the ^KP ZPL II command.

Table 11 • Password Levels and Defaults

Password Level	Features Controlled	Default Password
4	All features, including sensor adjustments and other sensitive parameters	For advanced use only. See the <i>Maintenance Manual</i> or contact technical support.
3	Installation and reconfiguration. The printer web-page interface also uses this password.	1 2 3 4
2	Label configuration operations (media type, label removal method, label length)	0 0 0 0 (unprotected)
1	Darkness, Tear-Off position, label top	0 0 0 0 (unprotected)

To enter a password when prompted, complete these steps:

- When the printer displays **ADVANCED SETUP X**, press ENTER.
The printer displays **PASSWORD** and the number **0000**.
- Enter the four-digit password for the password level displayed or for a higher level.
 - The left and right arrows change the selected digit position.
 - The up and down arrows change the value of the selected digit.
- After entering the password, press ENTER.
If you entered a valid password, additional parameters are displayed.



Note • When you enter a password at an **ADVANCED SETUP** prompt, the first parameter that you see is determined in part by whether you pressed the right arrow or the left arrow to get to the **ADVANCED SETUP** prompt:

- If you used the right arrow, the first parameter that you see is based on the password level that the printer prompted for (see [Table 12](#)).
- If you used the left arrow, the first parameter that you see is based on which password you enter at the prompt, regardless of which password level the printer prompted for (see [Table 13](#)).

Table 12 • Right Arrow Used to Reach ADVANCED SETUP Prompt

Advanced Setup Level Prompted	Password Level Entered	First Parameter Seen
1	1, 2, 3, or 4	DARKNESS (top of level 1)
2	2, 3, or 4	MEDIA TYPE (top of level 2)
3	3 or 4	PRINT OUT (top of level 3)
4	4	LABEL LEVEL (top of level 4)

Table 13 • Left Arrow Used to Reach ADVANCED SETUP Prompt

Advanced Setup Level Prompted	Password Level Entered	First Parameter Seen
1	1	LABEL TOP (ZPL, EPL, APL-D) (bottom of level 1) Y FORMS ADJUST (APL-I) (bottom of level 1)
1, 2	2	LENGTH (bottom of level 2)
1, 2, 3	3	LANGUAGE (bottom of level 3)
1, 2, 3, or 4	4	LANGUAGE (bottom of level 4; LANGUAGE parameter appears in both level 3 and 4)

Printing Configuration Labels

After you load the media and ribbon (if necessary), print a printer configuration label and a network configuration label as records of your printer's current settings. Keep the labels to use when troubleshooting printing problems. The options to print these labels are located in password level 3.

A configuration label lists the printer settings that are stored in configuration memory. A network configuration label lists the print server settings. For the correct settings, print a network configuration label after the printer connects to the network.



Note • If the printer is paused when you enter Setup mode, these labels will print after you exit Setup mode and resume printing.

To print a printer configuration label or a network configuration label, complete these steps:

1. On the control panel, press MENU.
The printer enters Setup mode and displays **DARKNESS**.
2. Press the left arrow.
If a password is set for any levels, the printer displays **ADVANCED SETUP** with the level number, and the ENTER button is enabled. If no passwords are set, the printer displays **LANGUAGE**.
3. What does the printer display?

If the printer displays...	Then...
ADVANCED SETUP 1	a. Press ENTER.
ADVANCED SETUP 2	b. The printer displays PASSWORD 0000 .
ADVANCED SETUP 3	b. Use the left and right arrows to enter the password for level 3 or 4. c. Press ENTER. The printer displays LANGUAGE .
ADVANCED SETUP 4	d. Use the left or right arrow to scroll through the parameters until you reach PRINT OUT .
ADVANCED SETUP 4	You do not need to enter a password to access this parameter. Use the left or right arrow to scroll through the parameters until you reach PRINT OUT .
LANGUAGE	Use the left or right arrow to scroll through the parameters until you reach PRINT OUT .

4. Select the type of label to print.

To print a...	Then...
Printer configuration label	<p>a. Scroll to SETTINGS.</p> <p>b. Press ENTER.</p> <p>A printer configuration label prints (Figure 17).</p> <p style="text-align: center;">Figure 17 • Sample Printer Configuration Label</p> <div style="border: 1px solid black; padding: 5px; margin: 10px auto; width: 80%;"> <pre style="font-family: monospace; font-size: 0.8em; margin: 0;"> PRINTER CONFIGURATION Zebra Technologies ZTC S4M-200dpi ZPL 10.0..... DARKNESS 2 IPS..... PRINT SPEED +000..... TEAR OFF TEAR OFF..... REMOVAL WEB..... SENSOR TYPE THERMAL-TRANS..... RIBBON 0832 DOTS..... WIDTH 1228..... LABEL LENGTH AUTO..... MAXIMUM LENGTH GAP/NOTCH..... MEDIA TYPE NOT CONNECTED..... USB COMM. BIDIRECTIONAL..... PARALLEL COMM. RS232..... SERIAL COMM. 9600..... BAUD 8 BITS..... DATA BITS NONE..... PARITY XON/XOFF..... HOST HANDSHAKE NONE..... PROTOCOL 000..... NETWORK ID NORMAL MODE..... HEXDUMP <~> 7EH..... CONTROL PREFIX <^> 5EH..... FORMAT PREFIX <.> 2CH..... DELIMITER CHAR ZPL II..... ZPL MODE CALIBRATION..... MEDIA POWER UP CALIBRATION..... HEAD CLOSE DEFAULT..... BACKFEED +000..... LABEL TOP +0000..... LEFT POSITION DISABLED..... REPRINT MODE 029..... LABEL LEVEL 079..... PAPER OUT 087..... RIBBON OUT 036..... PAPER GAIN 026..... RIBBON GAIN +10..... LCD ADJUST DPSWFXM..... MODES ENABLED MODES DISABLED 832 8/MM FULL..... RESOLUTION V50.13.12 <-..... FIRMWARE V22 --- 1..... HARDWARE ID CUSTOMIZED..... CONFIGURATION 3264k..... R: RAM 2048k..... E: ONBOARD FLASH NONE..... FORMAT CONVERT FW VERSION..... IDLE DISPLAY 08/17/05..... RTC DATE 15:07..... RTC TIME NONE..... ZEBRA NET II NO..... RFID READY 3642 IN..... NONRESET CNTR 3642 IN..... RESET CNTR1 3642 IN..... RESET CNTR2 9251 CM..... NONRESET CNTR 9251 CM..... RESET CNTR1 9251 CM..... RESET CNTR2 FIRMWARE IN THIS PRINTER IS COPYRIGHTED </pre> </div>

To print a...	Then...
Network configuration label	<p>a. Scroll to NETWORK.</p> <p>b. Press ENTER.</p> <p>A network configuration label prints (Figure 18). An asterisk designates whether the wired or wireless print server is active.</p> <p>Figure 18 • Sample Network Configuration Label</p> <div data-bbox="870 560 1321 1472" style="border: 1px solid black; padding: 5px;"> <pre> Network Configuration ----- Zebra Technologies PRINTER MODEL XXXdpi USER-DEFINED TEXT NO..... WIRED PS CHECK? Printer..... LOAD LAN FROM? Wired ALL..... IP PROTOCOL 000.000.000.000... IP ADDRESS 000.000.000.000... SUBNET MASK 000.000.000.000... DEFAULT GATEWAY 000.000.000.000... WINS SERVER IP YES..... TIMEOUT CHECKING 0300..... TIMEOUT VALUE 0000..... ARP INTERVAL 9100..... BASE RAW PORT Wireless* ALL..... IP PROTOCOL 010.003.015.089... IP ADDRESS 255.255.255.000... SUBNET MASK 010.003.015.001... DEFAULT GATEWAY 010.003.001.015... WINS SERVER IP YES..... TIMEOUT CHECKING 0300..... TIMEOUT VALUE 0000..... ARP INTERVAL 9100..... BASE RAW PORT YES..... CARD INSERTED 015FH..... CARD MFG ID 000AH..... CARD PRODUCT ID 000e83df3bc7..... MAC ADDRESS YES..... DRIVER INSTALLED INFRASTRUCTURE... OPERATING MODE vh-CTC-PRD..... ESSID 100..... TX POWER ON..... 1 Mb/s ON..... 2 Mb/s ON..... 5.5 Mb/s ON..... 11 Mb/s 11 Mb/s..... CURRENT TX RATE DIVERSITY..... RECEIVE ANTENNA DIVERSITY..... XMIT ANTENNA OPEN..... AUTH. TYPE OFF..... LEAP MODE 128-bit..... ENCRYPTION MODE 1..... ENCRYPT. INDEX 020..... POOR SIGNAL LONG..... PREAMBLE YES..... ASSOCIATED </pre> </div> <p>FIRMWARE IN THIS PRINTER IS COPYRIGHTED</p>

Select a Display Language

The **LANGUAGE** parameter is included in password level 3 and level 4 so you can easily reach the parameter to select a familiar language if you cannot read the one being displayed.

To change the language displayed, complete these steps:

1. On the control panel, press MENU.

The printer enters Setup mode.

2. Press the left arrow.

If a password is set for level 3 or 4, the printer displays **ADVANCED SETUP** with the level number, and the ENTER button is enabled. If no passwords are set for level 3 or 4, the printer displays **LANGUAGE**.

3. What does the printer display?

If the printer displays...	Then...
ADVANCED SETUP 1 *	<ol style="list-style-type: none"> a. Press ENTER. The printer displays PASSWORD 0000 *. b. Use the left and right arrows to enter the password for level 3 or 4. c. Press ENTER. The printer displays LANGUAGE *.
ADVANCED SETUP 2 *	
ADVANCED SETUP 3 *	
ADVANCED SETUP 4 *	
LANGUAGE *	Continue with the next step.

* Displays in the last language selected.

4. Use the up and down arrows until you reach the language of your choice.

5. Press MENU.

The printer prompts you to accept changes.

6. If necessary, press the up or down arrow to select **YES**.

7. Press ENTER to accept the language that you selected.

Control Panel Parameters

Use the LCD on the control panel to adjust printer settings.

Additional parameters appear in the following situations:

- When a wired print server is installed in the printer. For more information, refer to the *ZebraNet 10/100 Print Server User and Reference Guide*.
- When a wireless print server is installed in the printer. For more information, refer to the *ZebraNet Wireless User Guide*.

Copies of these manuals are available at <http://www.zebra.com/manuals> or on the user CD that came with your printer.

Password Level 1 and 2 Parameters

Table 14 shows parameters in the order in which they appear when you press the right arrow after entering Setup mode. Throughout this process, press the right arrow to continue to the next parameter or the left arrow to return to the previous parameter in the cycle.

Table 14 • Printer Parameters, Password Levels 1 and 2 (Page 1 of 5)



Parameter	Explanation
DARKNESS (ZPL, APL-D, and APL-I modes) DENSITY (EPL mode only)	<p>Adjust Print Darkness</p> <p>The best darkness setting depends on a variety of factors, including ribbon type, labels, and the condition of the printhead. You may adjust the darkness for consistent high-quality printing.</p> <p> Important • Set the darkness to the lowest setting that provides good print quality. If the darkness is set too high, the ink may smear, the ribbon may burn through, or the printhead may wear prematurely.</p> <p> Note • The printer applies and saves the darkness setting immediately. Exiting Setup mode without saving changes does not restore the previous value.</p> <p>If printing is too light or if there are voids in the printed areas, increase the darkness. If the printing is too dark or if there is spreading or bleeding of printed areas, decrease the darkness. Darkness settings also may be changed by the driver or software settings.</p> <p>The <i>FEED Self Test</i> on page 117 can be used to determine the best darkness setting. Because the darkness setting takes effect immediately, you can see the results on labels that are currently printing.</p> <p><i>Range (ZPL, APL-D, APL-I): 0.0 to +30.0</i> <i>Default Value (ZPL, APL-D, APL-I): +10.0</i> <i>Range (EPL): 7</i> <i>Default Value (EPL): 0 to 15</i></p> <p>To modify this parameter:</p> <ul style="list-style-type: none"> • Press the up arrow to increase value. • Press the down arrow to decrease value.

Table 14 • Printer Parameters, Password Levels 1 and 2 (Page 2 of 5)


Parameter	Explanation
TEAR OFF	<p>Adjust Tear-Off Position</p> <p>This parameter establishes the position of the labels over the tear-off/peel-off bar after printing.</p> <p> Note • The printer applies and saves the tear-off setting immediately. Exiting Setup mode without saving changes does not restore the previous value.</p> <p><i>Range (ZPL, EPL, APL-I): -120 to +120</i> <i>Default Value (ZPL, EPL, APL-I): 0</i> <i>Range (APL-D): +00i to +999i (0m to 2537m)</i> <i>Default Value (APL-D): +128i</i></p> <p>To modify this parameter:</p> <ul style="list-style-type: none"> • Press the up arrow to increase value. • Press the down arrow to decrease value.
<p>LABEL TOP (ZPL, EPL, and APL-D modes)</p> <p>X FORMS ADJUST (APL-I mode only)</p>	<p>Adjust Label Top Position</p> <p>The label top position adjusts the print position vertically on the label. Positive numbers adjust the label top position farther down the label (away from the printhead), and negative numbers adjust the position up the label (toward the printhead).</p> <p><i>Range (ZPL, EPL): -120 to +120</i> <i>Range (APL-I): -10 to +4000</i> <i>Range (APL-D): -0.64i to 0.64i</i> <i>Default Value: 0</i></p> <p>To modify this parameter:</p> <ul style="list-style-type: none"> • To increase the value, press the up arrow. • To decrease the value, press the down arrow.
<p>LEFT POSITION (ZPL, EPL, and APL-D modes)</p> <p>Y FORMS ADJUST (APL-I mode only)</p>	<p>Adjust Label Left Position</p> <p>The label left position adjusts the print position horizontally on the label. Positive numbers move the left edge of the image toward the center of the label while negative numbers shift the left edge of the image toward the left edge of the label.</p> <p><i>Range (ZPL, EPL, APL-D): -120 to +120</i> <i>Range (APL-I): -9999 to +9999</i> <i>Default Value: 0</i></p> <p>To modify this parameter:</p> <ul style="list-style-type: none"> • To increase the value, press the up arrow. • To decrease the value, press the down arrow.

Table 14 • Printer Parameters, Password Levels 1 and 2 (Page 3 of 5)

Parameter	Explanation
MEDIA TYPE	<p>Set Media Type</p> <p>Tells the printer which type of media you are using.</p> <p><i>Selections:</i></p> <ul style="list-style-type: none"> • GAP/NOTCH—Use for non-continuous web media, non-continuous fanfold media, and tag stock. • CONTINUOUS—Use for media that does not have divisions between labels. • MARK—Use for non-continuous black mark media. <p><i>Default Value:</i> GAP/NOTCH</p> <p>To modify this parameter:</p> <ul style="list-style-type: none"> • Press the up or down arrow to scroll through the selections.
SENSOR SELECT	<p>Select the Media Sensor</p> <p>Use the setting that gives the best results. You can use the reflective sensor for most media.</p> <ul style="list-style-type: none"> • REFLECTIVE—Use with black mark media and most other media types. • TRANSMISSIVE—Use with any media (other than black mark media) that does not work well with the reflective sensor. To use the transmissive sensor with media that has holes or notches, verify that the holes or notches pass through the sensor so that the sensor can detect them. If the holes or notches do not pass through the sensor, use the reflective sensor. <p><i>Default Value:</i> REFLECTIVE</p> <p>To modify this parameter:</p> <ul style="list-style-type: none"> • Press the up or down arrow to scroll through the selections.
REMOVAL	<p>Select the Label Removal Method</p> <p>The label removal must correspond to the print mode (see Print Modes and Printer Options on page 38). Be sure to select a label removal mode that your hardware configuration supports because some of the selections displayed are for optional printer features.</p> <p><i>Selections:</i> TEAR, PEEL, CUTTER, REWIND, DELAYED CUT</p> <p><i>Default Value:</i> TEAR</p> <p>To modify this parameter:</p> <ul style="list-style-type: none"> • Press the up or down arrow to scroll through the selections.

Table 14 • Printer Parameters, Password Levels 1 and 2 (Page 4 of 5)


Parameter	Explanation
PRINT SPEED	<p>Adjust Print Speed</p> <p>Adjusts the speed for printing a label (given in whole numbers of inches per second). Slower print speeds typically yield better print quality. Print speed changes take effect upon exiting Setup mode.</p> <p><i>Range:</i> 2 to 6 IPS</p> <p><i>Default Value (ZPL, APL-I):</i> 2 IPS</p> <p><i>Default Value (EPL, APL-D):</i> 6 IPS</p> <p>To modify this parameter:</p> <ul style="list-style-type: none"> • To increase the value, press the up arrow. • To decrease the value, press the down arrow.
PRINT WIDTH	<p>Set Print Width</p> <p>Print width determines the printable area across the width of the label.</p> <p> Important • Setting the width too narrow can result in portions of the label not being printed on the media. Setting the width too wide wastes formatting memory and can cause printing off the label and on the platen roller. This setting can affect the horizontal position of the label format if the image was inverted using the ^POI ZPL II command.</p> <p><i>Range:</i> 2 to 832 for 8 dots/mm, 2 to 1248 for 12 dots/mm</p> <p><i>Default Value:</i> 832 for 8 dots/mm, 1248 for 12 dots/mm</p> <p>To modify this parameter:</p> <ul style="list-style-type: none"> • To increase the value, press the up arrow. • To decrease the value, press the down arrow.
KDU MODE (EPL mode only)	<p>Enable KDU</p> <p>Allows the S4M printer to work with a Keyboard Display Unit (Zebra KDU or KDU Plus™).</p> <p><i>Selections:</i> ON, OFF</p> <p><i>Default Value:</i> OFF</p> <p>To modify this parameter:</p> <ul style="list-style-type: none"> • Press the up or down arrow to scroll through the selections.
COMPAT. MODE (APL-D mode only)	<p>Set APL-D Compatibility Mode</p> <p>Sets compatibility with some older DPL printers. The default label top changes from 1.1 inches to 2.5 inches.</p> <p><i>Selections:</i> ON, OFF</p> <p><i>Default Value:</i> OFF</p> <p>To modify this parameter:</p> <ul style="list-style-type: none"> • Press the up or down arrow to scroll through the selections.

Table 14 • Printer Parameters, Password Levels 1 and 2 (Page 5 of 5)

Parameter	Explanation
CONTROL CODES (APL-D mode only)	<p>Set APL-D Control Codes</p> <p>Allows you to select which set of language control codes will be sent to the printer.</p> <p><i>Selections:</i> STANDARD, MAINFRAME <i>Default Value:</i> STANDARD</p> <p>To modify this parameter:</p> <ul style="list-style-type: none"> • Press the up or down arrow to scroll through the selections.
RESOLUTION (APL-I mode only)	<p>Set Printer Resolution for APL-I</p> <p>Sets the dot size for backward compatibility with some older APL-I printers.</p> <p><i>Selections:</i> 5 MIL, 10 MIL, 15 MIL <i>Default Value:</i> 5 MIL</p> <p>To modify this parameter:</p> <ul style="list-style-type: none"> • Press the up or down arrow to scroll through the selections.
LENGTH	<p>Set Maximum Label Length</p> <p>Maximum label length is used in conjunction with the calibration procedure. The value of this setting is the maximum label length that is used during the media portion of the calibration process. Only a few labels are required to set media sensors. Always set the value that is at least 1 in. (25.4 mm) longer than the longest label to be used on the printer.</p> <p><i>Selections (ZPL, EPL, APL-I):</i> AUTO, < 1 INCH (25.4 mm) to < 39 INCH (991 mm) in 1-inch (25.4 mm) increments <i>Default Value</i> AUTO <i>Selections (APL-D):</i> 0000 to 9999 (tenths of inches) <i>Default Value (APL-D):</i> 1200</p> <p>To modify this parameter:</p> <ul style="list-style-type: none"> • To increase the value, press the up arrow. • To decrease the value, press the down arrow.

Password Level 3 Parameters

Table 15 shows parameters in the order in which they appear when you press the right arrow after entering the Level 3 password. Throughout this process, press the right arrow to continue to the next parameter or the left arrow to return to the previous parameter in the cycle.

Table 15 • Printer Parameters, Password Level 3 (Page 1 of 10)

Parameter	Explanation
PRINT OUT	<p>Print Selected Labels</p> <p>This parameter allows you to print certain types of labels with information about the printer.</p> <p><i>Selections:</i></p> <ul style="list-style-type: none"> • SETTINGS—Prints a printer configuration label. See Printing Configuration Labels on page 68. • FORMATS (ZPL, EPL, APL-D)—Prints a label that lists the available fonts in the printer, including standard printer fonts plus any optional fonts. Fonts may be stored in RAM, Flash memory, optional memory cards, or font cards. • FORMATS (ZPL, EPL, APL-D)—Prints a label that lists the available formats stored in the printer’s RAM, Flash memory, or optional memory card. • BARCODES (ZPL only)—Prints a label that lists the available bar codes in the printer. • ALL (ZPL, EPL)—Prints labels that list the available fonts, bar codes, images, formats, and the current printer and network configurations. • IMAGES (ZPL, EPL, APL-D)—Prints a label that lists the images currently stored in the printer’s RAM, Flash memory, or optional memory cards. • NETWORK—Prints a network configuration label. See Printing Configuration Labels on page 68. • APLI SW SETUP (APL-I only) • APLI HW SETUP (APL-I only) • APLI PRT QUAL (APL-I only) • APLI PITCH (APL-I only) <p>To print labels:</p> <ol style="list-style-type: none"> 1. Press the up or down arrow to display label choices. 2. Press ENTER to print the desired label.

Table 15 • Printer Parameters, Password Level 3 (Page 2 of 10)

Parameter	Explanation
MODULE A (APL-D mode only)	<p>Set Module A Storage Device for APL-D</p> <p>This parameter allows you to assign an actual 512 KB memory device to a module letter.</p> <p><i>Selections:</i> NONE, RAM 1, RAM 2, FLASH 1, FLASH 2</p> <p><i>Default Value:</i> NONE</p> <p>To modify this parameter:</p> <ul style="list-style-type: none"> • Press the up or down arrow to scroll through the selections.
MODULE B (APL-D mode only)	<p>Set Module B Storage Device for APL-D</p> <p>This parameter allows you to assign an actual 512 KB memory device to a module letter.</p> <p><i>Selections:</i> NONE, RAM 1, RAM 2, FLASH 1, FLASH 2</p> <p><i>Default Value:</i> NONE</p> <p>To modify this parameter:</p> <ul style="list-style-type: none"> • Press the up or down arrow to scroll through the selections.
PARALLEL COMM.	<p>Set Parallel Communications</p> <p>Select the communications port that matches the one being used by the host computer.</p> <p><i>Selections:</i> UNIDIRECTIONAL, BIDIRECTIONAL</p> <p><i>Default Value:</i> UNIDIRECTIONAL</p> <p>To modify this parameter:</p> <ul style="list-style-type: none"> • Press the up or down arrow to scroll through the selections.
PRINT PAGE (APL-I mode only)	<p>Print Stored APL-I Page</p> <p>Up to 20 pages can be stored and printed.</p> <p><i>Selections:</i> 0 through 19</p> <p><i>Default Value:</i> 0</p> <p>To modify this parameter:</p> <ul style="list-style-type: none"> • To increase the value, press the up arrow. • To decrease the value, press the down arrow.
PRINT FORMAT (APL-I mode only)	<p>Print Stored APL-I Format</p> <p>Up to 100 formats can be stored and printed.</p> <p><i>Selections:</i> 0 through 99</p> <p><i>Default Value:</i> 0</p> <p>To modify this parameter:</p> <ul style="list-style-type: none"> • To increase the value, press the up arrow. • To decrease the value, press the down arrow.

Table 15 • Printer Parameters, Password Level 3 (Page 3 of 10)


Parameter	Explanation
BAUD	<p>Set Baud</p> <p>The baud setting of the printer must match the baud setting of the host computer for accurate communications to take place. Select the value that matches the one being used by the host computer.</p> <p><i>Selections (ZPL, APL-I, APL-D):</i> 300, 600, 1200, 2400, 4800, 9600, 14400, 19200, 28800, 38400, 57600, 115200</p> <p><i>Selections (EPL):</i> 1200, 2400, 4800, 9600, 19200, 38400, 57600, 115200</p> <p><i>Default Value:</i> 9600</p> <p>To modify this parameter:</p> <ul style="list-style-type: none"> Press the up or down arrow to scroll through the selections.
DATA BITS	<p>Set Data Bits</p> <p>The data bits of the printer must match the data bits of the host computer for accurate communications to take place. Set the data bits to match the setting being used by the host computer.</p> <p> Note • Code Page 850 requires the data bits to be set to 8 bits.</p> <p><i>Selections:</i> 7 BITS, 8 BITS</p> <p><i>Default Value:</i> 8 BITS</p> <p>To modify this parameter:</p> <ul style="list-style-type: none"> Press the up or down arrow to scroll through the selections.
STATUS RESPONSE (APL-I mode only)	<p>Send APL-I Status Response</p> <p>Determines if a response is sent after inquiry commands.</p> <p><i>Selections:</i> ON, OFF</p> <p><i>Default Value:</i> ON</p> <p>To modify this parameter:</p> <ul style="list-style-type: none"> Press the up or down arrow to scroll through the selections.
PARITY	<p>Set Parity</p> <p>The parity of the printer must match the parity of the host computer for accurate communications to take place. Select the parity that matches the one being used by the host computer.</p> <p><i>Selections:</i> NONE, ODD, EVEN</p> <p><i>Default Value:</i> NONE</p> <p>To modify this parameter:</p> <ul style="list-style-type: none"> Press the up or down arrow to scroll through the selections.

Table 15 • Printer Parameters, Password Level 3 (Page 4 of 10)




Parameter	Explanation
HOST HANDSHAKE	<p>Set Host Handshake</p> <p>The handshake protocol of the printer must match the handshake protocol of the host computer for proper communications to take place. Select the handshake protocol that matches the one being used by the host computer.</p> <p><i>Selections (ZPL, APL-D):</i> XON/XOFF, DSR/DTR, RTS/CTS <i>Selections (APL-I):</i> XON/XOFF, DSR/DTR, RTS/CTS, APL-I <i>Default Value (ZPL, APL-D, APL-I):</i> XON/XOFF <i>Selections (EPL):</i> DTR & XON/XOF, DTR <i>Default Value (EPL):</i> DTR & XON/XOF</p> <p> Note • XOFF is abbreviated as XOF on the EPL display.</p> <p>To modify this parameter:</p> <ul style="list-style-type: none"> • Press the up or down arrow to scroll through the selections.
CONTROL CHAR (ZPL mode only)	<p>Set Control Character</p> <p>The printer looks for this two-digit hexadecimal character to indicate the start of a ZPL/ZPL II control instruction.</p> <p> Note • Do not use the same hexadecimal value for the control, command, and delimiter character. The printer must see different characters to work properly.</p> <p><i>Range:</i> 00 to FF <i>Default Value:</i> 7E (tilde—displayed as an arrow)</p> <p>To modify this parameter:</p> <ul style="list-style-type: none"> • To increase the value, press the up arrow. • To decrease the value, press the down arrow.
COMMAND CHAR (ZPL mode only)	<p>Set Command Character</p> <p>The command prefix is a two-digit hexadecimal value used as a parameter place marker in ZPL/ZPL II format instructions. The printer looks for this two-digit hexadecimal character to indicate the start of a ZPL/ZPL II format instruction. See the <i>ZPL II Programming Guide</i> for more information.</p> <p> Note • Do not use the same hexadecimal value for the control, command, and delimiter character. The printer must see different characters to work properly.</p> <p><i>Range:</i> 00 to FF <i>Default Value:</i> 5E (caret)</p> <p>To modify this parameter:</p> <ul style="list-style-type: none"> • To increase the value, press the up arrow. • To decrease the value, press the down arrow.

Table 15 • Printer Parameters, Password Level 3 (Page 5 of 10)



Parameter	Explanation
DELIM. CHAR (ZPL mode only)	<p>Set Delimiter Character</p> <p>The delimiter character is a two-digit hexadecimal value used as a parameter place marker in ZPL/ZPL II format instructions. See the <i>ZPL II Programming Guide</i> for more information.</p> <p> Note • Do not use the same hexadecimal value for the control, command, and delimiter character. The printer must see different characters to work properly.</p> <p><i>Range:</i> 00 to FF <i>Default Value:</i> 2C (comma)</p> <p>To modify this parameter:</p> <ul style="list-style-type: none"> • To increase the value, press the up arrow. • To decrease the value, press the down arrow.
HEXDUMP	<p>Hex Dump</p> <p>The hexadecimal dump mode is a troubleshooting tool for checking the interconnection between the printer and the host computer. For more information, see <i>Communications Diagnostics Test</i> on page 121.</p> <p><i>Selections:</i> NO, YES <i>Default Value:</i> NO</p> <p>To modify this parameter:</p> <ul style="list-style-type: none"> • Press the up or down arrow to scroll through the selections.
REPRINT MODE (ZPL mode only)	<p>Reprint Mode</p> <p>When Reprint Mode is enabled, the ~PR ZPL command can be used to reprint the last label. If the Reprint feature is disabled, the ~PR command is ignored. (Equivalent to the reprint mode parameter in the ^JJ ZPL command.)</p> <p><i>Selections:</i> ENABLED, DISABLED <i>Default Value:</i> DISABLED</p>
CHANGE RTC DATE	<p>Set RTC (Real-time clock) Date</p> <p>If RTC is installed, this parameter allows you to set the RTC date.</p> <p> Note • The printer saves the RTC date immediately.</p> <p>To modify this parameter:</p> <ol style="list-style-type: none"> 1. Press ENTER. The printer displays the current RTC date. 2. Modify the values as follows: <ul style="list-style-type: none"> • Press the right arrow to move to the next digit position. • To increase the value, press the up arrow. • To decrease the value, press the down arrow. 3. Press ENTER to accept the value shown.

Table 15 • Printer Parameters, Password Level 3 (Page 6 of 10)




Parameter	Explanation
CHANGE RTC TIME	<p>Set RTC (Real-time clock) Time</p> <p>If RTC is installed, this parameter allows you to set the RTC time.</p> <p> Note • The printer saves the RTC time immediately.</p> <p>To modify this parameter:</p> <ol style="list-style-type: none"> 1. Press ENTER. The printer displays the current RTC time. 2. Modify the values as follows: <ul style="list-style-type: none"> • Press the right arrow to move to the next digit position. • To increase the value, press the up arrow. • To decrease the value, press the down arrow. 3. Press ENTER to accept the value shown.
LOAD DEFAULTS	<p>Load Factory Defaults</p> <p>Sets all parameters back to factory defaults.</p> <p> Important • Use care when using this command. All printer parameters are reset to factory values with this command. If possible, print a configuration label to have as a record of the printer's settings before loading defaults.</p> <p>How to select this parameter:</p> <ol style="list-style-type: none"> 1. Press ENTER. The printer asks ARE YOU SURE? 2. To load factory defaults, press ENTER to select YES. To cancel, press any other key.
DEFAULT NET	<p>Reset Network Parameters</p> <p>Resets the network parameters back to the factory defaults.</p> <ol style="list-style-type: none"> 1. Press ENTER. The printer asks ARE YOU SURE? 2. To reset network parameters to the factory defaults, press ENTER to select YES. To cancel, press any other key.
INIT FLASH MEM	<p>Initialize Flash Memory</p> <p>This parameter allows you to erase the printer's Flash memory.</p> <p> Important • The internal Flash memory is entirely erased with this command.</p> <p>To select this parameter:</p> <ol style="list-style-type: none"> 1. Press ENTER to select YES. The printer asks ARE YOU SURE? 2. To initialize Flash memory, press ENTER. To cancel, press any other key.

Table 15 • Printer Parameters, Password Level 3 (Page 7 of 10)


Parameter	Explanation
RIBBON	<p>Set Ribbon Use</p> <p> Note • This parameter appears only for printers that have the Thermal Transfer option installed.</p> <p>Specifies the printing method: thermal transfer (using ribbon) or direct thermal (no ribbon).</p> <p><i>Selections:</i></p> <ul style="list-style-type: none"> • YES (thermal transfer mode, with ribbon) • NO (direct thermal mode, no ribbon) <p><i>Default Value:</i> YES</p> <p>To modify this parameter:</p> <ul style="list-style-type: none"> • Press the up or down arrow to scroll through the selections.
ZPL OVERRIDE (ZPL mode only)	<p>Override Certain ZPL Commands</p> <p>Allows the following ZPL commands to override the user (printer) settings:</p> <ul style="list-style-type: none"> • ^MM (media mode) • ^MT (media type direct thermal or thermal transfer) • ^MN (media non-continuous or continuous) <p><i>Selections:</i></p> <ul style="list-style-type: none"> • NO—tells the printer to ignore the listed ZPL commands. • YES—allows the printer to accept the listed ZPL commands. <p><i>Default Value:</i> YES</p> <p>To modify this parameter:</p> <ul style="list-style-type: none"> • Press the up or down arrow to scroll through the selections.

Table 15 • Printer Parameters, Password Level 3 (Page 8 of 10)


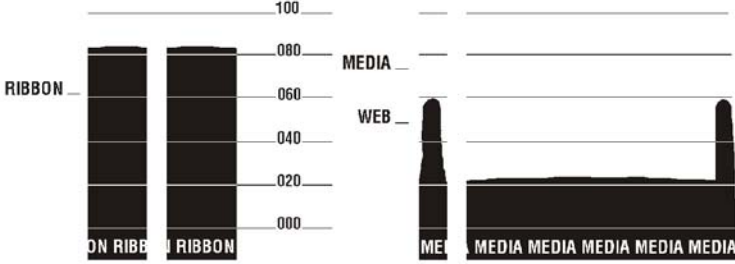
Parameter	Explanation
<p>SENSOR PROFILE</p>	<p>Print Sensor Profile</p> <p>Use the sensor profile (Figure 19) to troubleshoot registration problems that may occur if the media sensor detects preprinted areas on the media or if it experiences difficulty in determining web location. To adjust the sensitivity of the media and/or ribbon sensors, use <i>Calibrate Media and Ribbon Sensors</i> on page 85.</p> <p> Note • The ribbon portion of the label appears only for printers that have the Thermal Transfer option installed.</p> <p style="text-align: center;">Figure 19 • Sensor Profile</p>  <p>To select this parameter:</p> <ol style="list-style-type: none"> 1. Press ENTER to start this standard calibration procedure and print a media sensor profile.

Table 15 • Printer Parameters, Password Level 3 (Page 9 of 10)


Parameter	Explanation
<p>MEDIA/RIBBON CALIBRATE (Thermal Transfer only)</p> <p>MEDIA CALIBRATE (Direct Thermal only)</p>	<p>Calibrate Media and Ribbon Sensors</p> <p>Use this procedure to adjust the sensitivity of the printer’s sensors. In a printer that has the Thermal Transfer option installed, both media and ribbon sensors are adjusted. In a Direct Thermal printer (no Thermal Transfer option installed), only media sensors are adjusted, and the LCD displays for ribbon do not appear in this procedure.</p> <p> Important • This procedure must be followed exactly as presented. All of the steps must be performed even if only one of the sensors requires adjustment. You may press the left arrow at any step in this procedure to cancel the procedure.</p> <p>How to select this parameter:</p> <ol style="list-style-type: none"> 1. Press ENTER to start the calibration procedure. The LOAD BACKING/REMOVE RIBBON prompt displays. 2. Open the printhead. 3. Remove approximately 8 in. (203 mm) of labels from the backing, and pull the media into the printer so that only the backing is between the media sensors. 4. Remove the ribbon (if used). 5. Close the printhead. 6. Press ENTER. The message CALIBRATING PLEASE WAIT displays. The printer adjusts the scale (gain) of the signals that it receives from the media and ribbon sensors. On the sensor profile, this essentially corresponds to moving the peak of the graph up or down to optimize the readings for your application. RELOAD ALL displays. 7. Open the printhead and pull the media forward until a label is positioned under the media sensor. 8. Reload the media and ribbon (if used). 9. Close the printhead. 10. Press ENTER. The message CALIBRATING PLEASE WAIT displays. The printer does a calibration; during this process, the printer determines the label length. To see the new readings on the new scale, print a sensor profile.

Table 15 • Printer Parameters, Password Level 3 (Page 10 of 10)

Parameter	Explanation
LANGUAGE	<p>Select the Display Language</p> <p>This parameter allows you to display the control panel in the language of your choice. As soon as you select a language, all parameters are displayed in that language. Save changes as you exit Setup mode to save the language setting.</p> <p><i>Selections:</i></p> <ul style="list-style-type: none"> • English (ENGLISH) • Spanish (ESPAÑOL) • French (FRANCAIS) • German (Deutsch) • Italian (ITALIANO) • Norwegian (NORSK) • Portuguese (PORTUGUES) • Swedish (SUENSKA) • Danish (DANSK) • Spanish2 (ESPAÑOL2) • Dutch (NEDERLANDS) • Finnish (SUOMI) • Japanese (appears in Japanese characters) <p><i>Default Value:</i> ENGLISH</p> <p>To modify this parameter:</p> <ul style="list-style-type: none"> • Press the up or down arrow to scroll through the selections.



Routine Maintenance

This section provides routine cleaning and maintenance procedures.

Contents

Replacing Printer Components	88
Ordering Replacement Parts	88
Recycling Printer Components	88
Lubrication	88
Cleaning Schedule and Procedures.	89
Clean the Exterior	89
Clean the Printhead and Platen Roller.	90
Clean the Media Compartment and Sensors	93
Clean the Peel Assembly.	94
Clean the Cutter Module	97

Replacing Printer Components

Some printer components, such as the printhead and platen roller, may wear out over time and can be replaced easily. Regular cleaning may extend the life of some of these components. See [Cleaning Schedule and Procedures on page 89](#) for the recommended cleaning intervals.

Ordering Replacement Parts

For optimal printing quality and proper printer performance across our product line, Zebra strongly recommends the use of genuine Zebra™ supplies as part of the total solution.

Contact your authorized Zebra reseller for part ordering information, or see [Contacts on page 11](#) for contact addresses and telephone numbers.

Recycling Printer Components



The majority of this printer's components are recyclable. The printer's main logic board includes a battery that you should dispose of properly.

Do not dispose of any printer components in unsorted municipal waste. Please dispose of the battery according to your local regulations, and recycle the other printer components according to your local standards. For more information, see <http://www.zebra.com/environment>.

Lubrication

No lubrication is needed for this printer.

Caution • Some commercially available lubricants will damage the finish and the mechanical parts if used on this printer.

Cleaning Schedule and Procedures



Important • Zebra is not responsible for damage caused by the use of cleaning fluids on this printer.

Specific cleaning procedures are provided on the following pages. [Table 16](#) shows the recommended cleaning schedule. These intervals are intended as guidelines only. You may have to clean more often, depending upon your application and media.

Table 16 • Recommended Cleaning Schedule

Area	Method	Interval
Printhead	Solvent*	Direct Thermal Mode: After every roll of media (or 500 feet of fanfold media). Thermal Transfer Mode: After every roll of ribbon or three rolls of media.
Platen roller	Solvent*	
Media sensors	Air blow	
Ribbon sensor	Air blow	
Media path	Solvent*	
Ribbon path	Solvent*	
Pinch roller (part of Peel-Off option)	Solvent*	
Cutter module	If cutting continuous, pressure-sensitive media	After every roll of media (or more often, depending upon your application and media).
	If cutting tag stock or label liner material	After every two or three rolls of media.
Tear-off/peel-off bar	Solvent*	Once a month.
Take-label sensor	Air blow	Once every six months.

* Zebra recommends using Preventive Maintenance Kit (part number 47362). In place of this kit, you may use a clean swab dipped in a solution of isopropyl alcohol (minimum 90%) and deionized water (maximum 10%).

Clean the Exterior

You may clean the exterior surfaces of the printer with a lint-free cloth and a small amount of a mild detergent, if necessary. Do not use harsh or abrasive cleaning agents or solvents.

Clean the Printhead and Platen Roller

You can minimize printhead wear and maintain print quality with regular preventive measures. Over time, the movement of media or ribbon across the printhead wears through the protective ceramic coating, exposing and eventually damaging the print elements (dots). To avoid abrasion:

- Clean the printhead frequently, and use well-lubricated thermal transfer ribbons with backings optimized to reduce friction.
- Minimize printhead pressure and burn temperature settings by optimizing the balance between the two.
- Ensure that the thermal transfer ribbon is as wide or wider than the label media to prevent exposing the elements to the more abrasive label material.

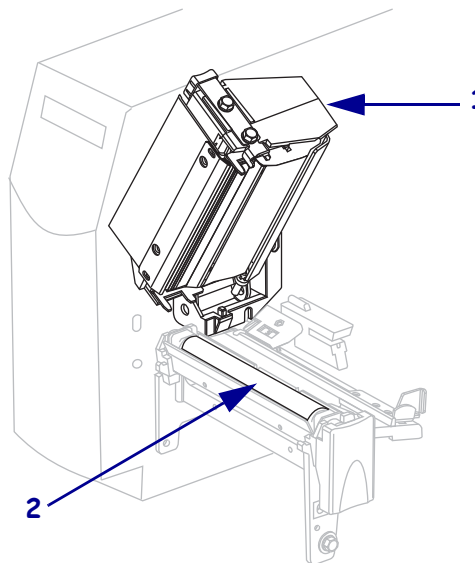
For best results, clean the printhead after changing every roll of ribbon. Inconsistent print quality, such as voids in the bar code or graphics, may indicate a dirty printhead.

Caution • While performing any tasks near an open printhead, remove all rings, watches, hanging necklaces, identification badges, or other metallic objects that could touch the printhead. You are not required to turn off the printer power when working near an open printhead, but Zebra recommends it as a precaution. If you turn off the power, you will lose all temporary settings, such as label formats, and you must reload them before you resume printing.



Note • For printers with a peel assembly, keep the peel assembly closed while cleaning the platen roller to reduce the risk of bending the tear-off/peel-off bar.

Figure 20 • Location of the Printhead and Platen Roller



1	Printhead assembly
2	Platen roller



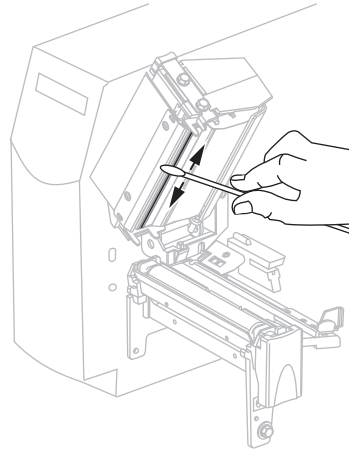
Caution • The printhead may be hot and could cause severe burns. Allow the printhead to cool.



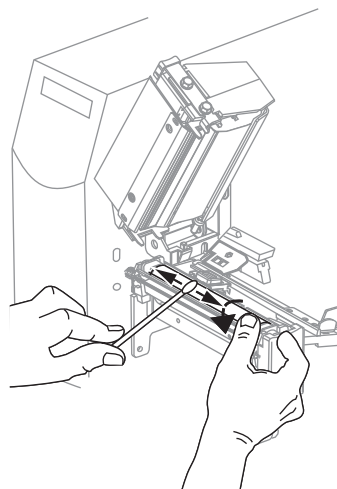
Caution • Before touching the printhead assembly, discharge any built-up static electricity by touching the metal printer frame or by using an antistatic wriststrap and mat.

To clean the printhead and platen roller, complete these steps:

1. Open the printhead assembly.
2. Remove the media and ribbon.
3. Using the swab from the Preventive Maintenance Kit (part number 47362), wipe along the brown strip on the printhead assembly from end to end. In place of the Preventive Maintenance Kit, you may use a clean swab dipped in a solution of isopropyl alcohol (minimum 90%) and deionized water (maximum 10%). Allow the solvent to evaporate.



4. While manually rotating the platen roller, clean it thoroughly with the swab. Allow the solvent to evaporate.



5. Reload media and ribbon, and close the printhead assembly.



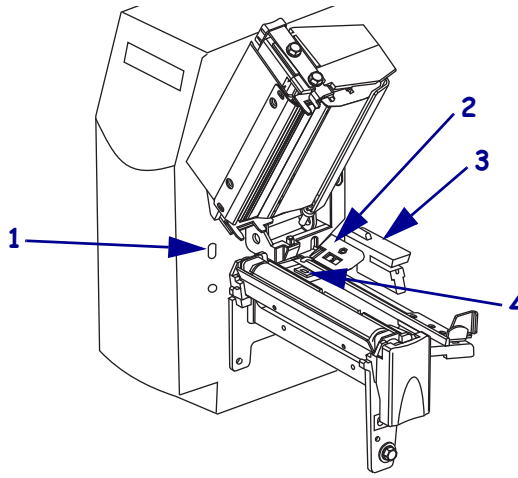
Note • If performing this procedure does not improve print quality, try cleaning the printhead with *Save-A-Printhead* cleaning film. This specially coated material removes contamination buildup without damaging the printhead. Call your authorized Zebra reseller for more information.

Clean the Media Compartment and Sensors

To clean the media compartment and sensors, complete these steps:

1. Brush or vacuum any accumulated paper lint and dust away from the media and ribbon paths.
2. Brush or vacuum any paper lint and dust away from the sensors (see [Figure 21](#)).

Figure 21 • Cleaning the Sensors



1	Take-label sensor
2	Ribbon sensor
3	Transmissive sensor
4	Reflective sensor

Clean the Peel Assembly

The peel assembly, which is part of the Peel-Off option, consists of several spring-loaded rollers to ensure the proper roller pressure. Clean the pinch roller and tear-off/peel-off bar if adhesive buildup begins to affect peel performance.



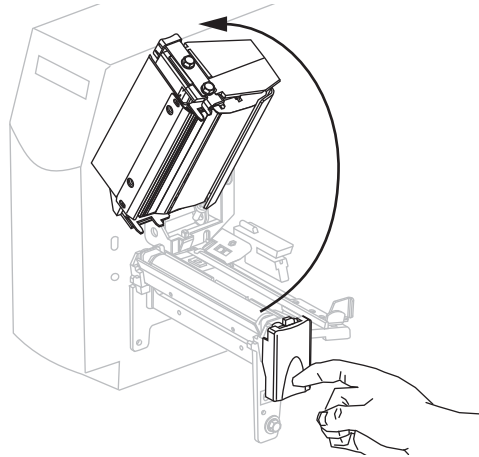
Caution • Do not use your left hand to assist in closing the Peel assembly. The top edge of the Peel roller/assembly could pinch your fingers.



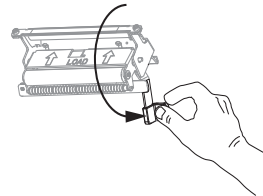
Caution • The printhead may be hot and could cause severe burns. Allow the printhead to cool.

If adhesive buildup affects peel-off performance, complete these steps:

1. Press the printhead release latch to open the printhead assembly. Lift the printhead until it latches open.

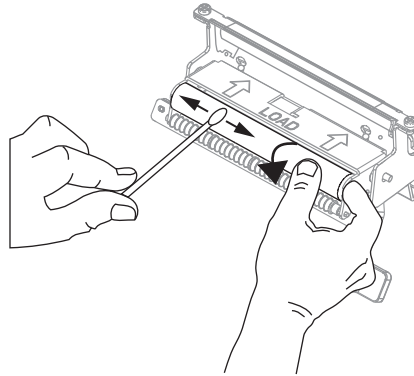


2. Push down the peel-off mechanism release lever to open the peel assembly.



3. Remove any media backing to expose the pinch roller.

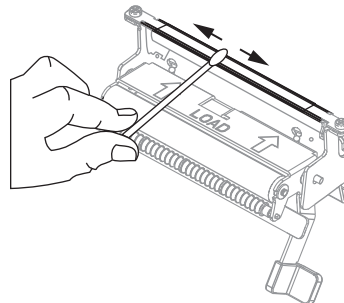
4. While manually rotating the pinch roller, clean it thoroughly with the swab from the Preventive Maintenance Kit (part number 47362). In place of the Preventive Maintenance Kit, you may use a clean swab dipped in a solution of isopropyl alcohol (minimum 90%) and deionized water (maximum 10%). Allow the solvent to evaporate.



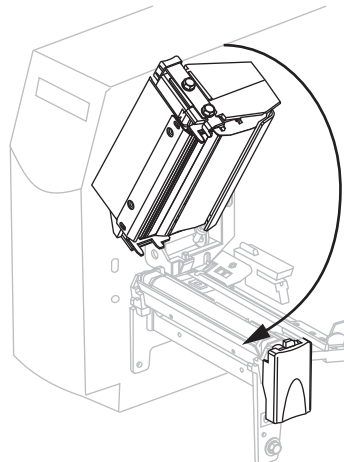
5. Use the swab to remove excess adhesive from the tear-off/peel-off bar. Allow the solvent to evaporate.



Important • Apply minimum force when cleaning the tear-off/peel-off bar. Excessive force can cause the tear-off/peel-off bar to bend, which could have a negative effect on peel performance.



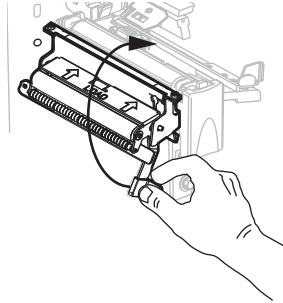
6. Close the printhead assembly.





-
7. **Caution** • Use the peel release lever and your right hand to close the peel assembly. Do not use your left hand to assist in closing. The top edge of the peel roller/assembly could pinch your fingers.
-

Close the peel assembly using the peel-off mechanism release lever.



8. Close the media door.
The printer is ready to operate.

Clean the Cutter Module

If the cutter is not cutting the labels cleanly or if it jams with labels, clean the cutter.



Caution • For personnel safety, always power off and unplug the printer before performing this procedure.

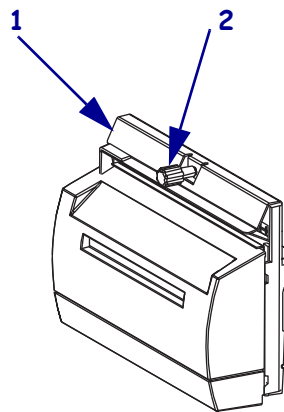
To clean the cutter module, complete these steps:

1. Turn the printer off (O), and unplug the printer from its power source.

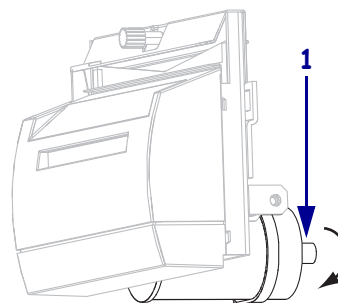


2. **Caution** • The cutter blade is sharp. Do not touch or rub the blade with your fingers.

Remove the cutter shield (1) by removing the cutter shield thumbscrew and lock washer (2).

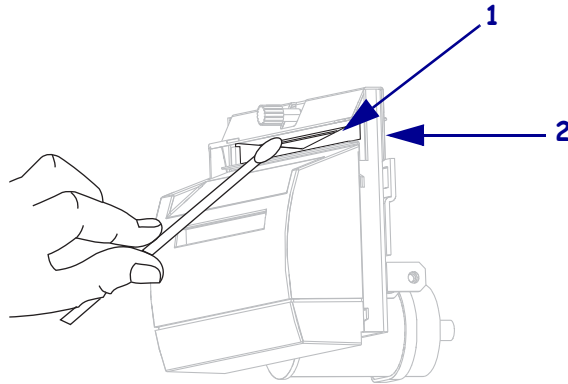


3. To expose the V-shaped cutter blade, turn the cutter motor thumbscrew (1) counterclockwise to lower the blade.



4. See [Figure 22](#). Using the swab from the Preventive Maintenance Kit (part number 47362), wipe along the upper cutting surface **(1)** and the cutter blade **(2)**. In place of the Preventive Maintenance Kit, you may use a clean swab dipped in a solution of isopropyl alcohol (minimum 90%) and deionized water (maximum 10%). Allow the solvent to evaporate.

Figure 22 • Cleaning the Cutter Module



5. Replace the cutter shield.
6. Plug the printer into its power source, and then turn on **(I)** the printer.
The lower cutter blade returns to its correct operating position.
7. If the cutter continues to perform unsatisfactorily, contact an authorized service technician.



Troubleshooting

This section provides information about errors that you might need to troubleshoot. Assorted diagnostic tests are included.

Contents

Troubleshooting Checklists	100
LCD Error Messages	101
Memory Errors	105
Print Quality Problems	106
Calibration Problems	109
Communications Problems	110
Ribbon Problems	111
Miscellaneous Printer Problems	112
Printer Diagnostics	114
Power-On Self Test	114
CANCEL Self Test	115
PAUSE Self Test	116
FEED Self Test	117
FEED and PAUSE Self Test	120
Communications Diagnostics Test	121
Sensor Profile	122

Troubleshooting Checklists

If an error condition exists with the printer, review this checklist:

- Is there an error message on the LCD? If yes, see [LCD Error Messages](#) on page 101.
- Are noncontinuous labels being treated as continuous labels? If yes, see [Calibrate Media and Ribbon Sensors](#) on page 85.
- Is the CHECK RIBBON light on when ribbon is loaded properly? If yes, see [Calibrate Media and Ribbon Sensors](#) on page 85.
- Are you experiencing problems with print quality? If yes, see [Print Quality Problems](#) on page 106.
- Are you experiencing communications problems? If yes, see [Communications Problems](#) on page 110.

If the labels are not printing or advancing correctly, review this checklist:

- Are you using the correct type of labels? Review the types of label in [Types of Media](#) on page 32.
- Are you using a label that is narrower than the maximum print width? See [Set Print Width](#) on page 75.
- Review the label- and ribbon-loading illustrations in [Media Paths](#) on page 38 and [Load Ribbon](#) on page 53.
- Does the printhead need to be adjusted? See [Adjust Printhead Pressure](#) on page 61 for more information.
- Do the sensors need to be calibrated? See [Calibrate Media and Ribbon Sensors](#) on page 85 for more information.

If none of the above suggestions correct the problem, review this checklist:

- Perform one or more of the self-tests given in [Printer Diagnostics](#) on page 114. Use the results to help identify the problem.
- If you are still having problems, see [Contacts](#) on page 11 for customer support information.

LCD Error Messages

The LCD displays messages when there is an error. See [Table 17](#) for LCD errors, the possible causes, and the recommended solutions.

Table 17 • LCD Error Messages

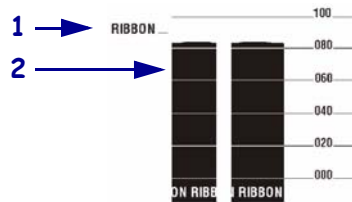
LCD Display/ Printer Condition	Possible Cause	Recommended Solution
<div style="border: 2px solid black; padding: 5px; text-align: center; width: fit-content; margin: 0 auto;"> ALERT RIBBON OUT </div> <p>The printer stops and the ALERT light flashes.</p>	In thermal transfer mode, ribbon is not loaded or incorrectly loaded.	Load ribbon correctly.
	In thermal transfer mode, the ribbon sensor is not detecting ribbon.	<ol style="list-style-type: none"> 1. Load ribbon correctly. 2. Calibrate the sensors. See Calibrate Media and Ribbon Sensors on page 85.
	In thermal transfer mode, media is blocking the ribbon sensor.	<ol style="list-style-type: none"> 1. Load media correctly. 2. Calibrate the sensors. See Calibrate Media and Ribbon Sensors on page 85.
	In thermal transfer mode, the printer did not detect the ribbon even though it is loaded correctly.	<ol style="list-style-type: none"> 1. Print a sensor profile. See Print Sensor Profile on page 84. The ribbon out threshold (1) is likely too high, above the black area that indicates where the ribbon is detected (2). <div style="text-align: center; margin: 10px 0;">  </div> 2. Calibrate the sensors or load printer defaults. See Calibrate Media and Ribbon Sensors on page 85 or Load Factory Defaults on page 82.
	If you are using direct thermal media, the printer is waiting for ribbon to be loaded because it is incorrectly set for thermal transfer mode.	Set the printer for Direct Thermal mode. See Set Ribbon Use on page 83.

Table 17 • LCD Error Messages (Continued)


LCD Display/ Printer Condition	Possible Cause	Recommended Solution	
<div style="border: 1px solid black; padding: 5px; text-align: center; font-weight: bold;">WARNING RIBBON IN</div> <p>The RIBBON light is on; the ERROR light flashes. The ALERT light flashes.</p>	<p>Ribbon is loaded, but the printer is set for direct thermal mode.</p>	<p>Ribbon is not required with direct thermal media. If you are using direct thermal media, remove the ribbon. This error message will not affect printing.</p> <p>If you are using thermal transfer media, which requires ribbon, set the printer for Thermal Transfer mode. See Set Ribbon Use on page 83</p>	
<div style="border: 1px solid black; padding: 5px; text-align: center; font-weight: bold;">ALERT PAPER OUT</div> <p>The printer stops and the ALERT light flashes.</p>	<p>The media is not loaded or is loaded incorrectly.</p> <p>Misaligned media sensor.</p> <p>The printer is set for noncontinuous media, but continuous media is loaded.</p>	<p>Load media correctly.</p> <p>Check position of the media sensor.</p> <p>Install proper media type, or reset printer for current media type and perform calibration.</p>	
<div style="border: 1px solid black; padding: 5px; text-align: center; font-weight: bold;">ALERT HEAD OPEN</div> <p>The printer stops and the ALERT light flashes.</p>	<p>The printhead is not fully closed.</p> <p>The head open sensor is not working properly.</p>	<p>Close printhead completely.</p> <p>Call a service technician.</p>	
<div style="border: 1px solid black; padding: 5px; text-align: center; font-weight: bold;">THERMISTOR FAULT</div> <p>The ERROR light flashes.</p>	<p>The printhead has a faulty thermistor.</p>	<p>Call a service technician.</p>	
<div style="border: 1px solid black; padding: 5px; text-align: center; font-weight: bold;">WARNING HEAD COLD</div>	<div style="display: flex; align-items: center;">  <p>Caution • An improperly connected printhead data or power cable can cause these error messages. The printhead may be hot enough to cause severe burns. Allow the printhead to cool.</p> </div>		
<div style="border: 1px solid black; padding: 5px; text-align: center; font-weight: bold;">THERMISTOR FAULT</div>		<p>The printhead data cable is not properly connected.</p>	<p>Caution • Turn off (O) the printer before performing this procedure. Failure to do so can damage the printhead.</p> <ol style="list-style-type: none"> 1. Turn off (O) the printer. 2. Disconnect and reconnect the data cable to the printhead. 3. Ensure that the cable connector is fully inserted into the printhead connector. 4. Turn on (I) the printer.
<div style="border: 1px solid black; padding: 5px; text-align: center; font-weight: bold;">ERROR CONDITION HEAD ELEMENT BAD</div> <p>The printer stops; the ERROR light is on; the printer cycles through these three messages.</p>		<p>The printhead has a faulty thermistor.</p>	<p>Call a service technician.</p>

Table 17 • LCD Error Messages (Continued)







LCD Display/ Printer Condition	Possible Cause	Recommended Solution
<div style="border: 2px solid black; padding: 5px; text-align: center;"> WARNING HEAD COLD </div> <p>The printer prints while the ALERT light flashes.</p>	 <p>Caution • An improperly connected printhead data or power cable can cause this error message. The printhead may be hot enough to cause severe burns. Allow the printhead to cool.</p>	
	<p>The printhead temperature is approaching its lower operating limit.</p>	<p>Continue printing while the printhead reaches the correct operating temperature. If the error remains, the environment may be too cold for proper printing. Relocate the printer to a warmer area.</p>
	<p>The printhead data cable is not properly connected.</p>	<p>Caution • Turn off (O) the printer before performing this procedure. Failure to do so can damage the printhead.</p> <ol style="list-style-type: none"> 1. Turn off (O) the printer. 2. Disconnect and reconnect the data cable to the printhead. 3. Ensure that the cable connector is fully inserted into the printhead connector. 4. Turn on (I) the printer.
	<p>The printhead has a faulty thermistor.</p>	<p>Call a service technician.</p>
<div style="border: 2px solid black; padding: 5px; text-align: center;"> WARNING HEAD TOO HOT </div> <p>The printer stops and the ALERT light flashes.</p>	 <p>Caution • The printhead may be hot enough to cause severe burns. Allow the printhead to cool.</p>	
	<p>The printhead is over temperature.</p>	<p>Allow the printer to cool. Printing automatically resumes when the printhead elements cool to an acceptable operating temperature.</p>

Table 17 • LCD Error Messages (Continued)

LCD Display/ Printer Condition	Possible Cause	Recommended Solution
<div style="border: 1px solid black; padding: 5px; text-align: center; font-weight: bold;">HEAD ELE. BAD</div> <p>The printer stops.</p>	<div style="display: flex; flex-direction: column; gap: 10px;"> <div style="display: flex; align-items: center;">  <div> <p>Caution • The printhead may be hot enough to cause severe burns. Allow the printhead to cool.</p> </div> </div> <div style="display: flex; align-items: center;">  <div> <p>Caution • Before touching the printhead assembly, discharge any built-up static electricity by touching the metal printer frame or by using an anti-static wriststrap and mat.</p> </div> </div> </div> <p>The printhead is not installed. The printhead data cable is not connected. The printhead is bad.</p>	<div style="display: flex; align-items: center; gap: 10px;">  <div> <p>Caution • Turn off (O) the printer before performing this procedure. Failure to do so can damage the printhead.</p> </div> </div> <ol style="list-style-type: none"> 1. Turn off (O) the printer. 2. Disconnect and reconnect the data cable to the printhead. 3. Ensure that the cable connector is fully inserted into the printhead connector. 4. Turn on (I) the printer. 5. If the problem persists, replace the printhead.
<div style="border: 1px solid black; padding: 5px; text-align: center; font-weight: bold;">DEFRAGMENTING</div> <p>The printer stops.</p>	<p>The printer is defragmenting memory.</p>	<p>Caution • Do NOT turn off the printer power during defragmenting. Doing so can damage the printer.</p> <p>Allow the printer to finish defragmenting. If you get this error message frequently, check your label formats. Formats that write to and erase memory frequently may cause the printer to defragment often. Using properly coded label formats usually minimizes the need for defragmenting.</p> <p>If this error message does not go away, contact Technical Support. The printer requires service.</p>
<div style="border: 1px solid black; padding: 5px; text-align: center; font-weight: bold;">ERROR CONDITION CUTTER JAM</div> <p>The printer stops and the ALERT light flashes.</p>	<div style="display: flex; align-items: center; gap: 10px;">  <div> <p>Caution • The cutter blade is sharp. Do not touch or rub the blade with your fingers.</p> </div> </div> <p>The cutter blade is in the media path.</p>	<p>Turn off the printer power and unplug the printer. Inspect the cutter module for debris and clean as needed following the cleaning instructions in Clean the Cutter Module on page 97.</p>

Memory Errors

The memory errors in [Table 18](#) indicate that the printer does not have enough memory to perform the function shown on the second line of the LCD.

Table 18 • Memory Errors

Problem/LCD Display	Possible Cause	Recommended Solution
OUT OF MEMORY CREATING BITMAP	Creating Bitmap The bitmap size (label length/width) does not fit in available memory.	<p>You may do any of the following:</p> <ul style="list-style-type: none"> • Press PAUSE. Send a ~HM ZPL command to the printer to display the amount of free memory. Then redesign the graphic/format to fit available memory, or remove items from memory to create more space. • Press PAUSE to skip the formatting step in process and proceed to the next step. With the printer paused, press CANCEL. The printer skips the current label formatting process and goes to the next label. • Turn the printer off (O) and then on (I) to clear the printer's memory.
OUT OF MEMORY STORING BITMAP	Storing Bitmap Not enough memory is available to store the bitmap created.	
OUT OF MEMORY BUILDING FORMAT	Building Format Label is too complex.	
OUT OF MEMORY STORING FORMAT	Storing Format Format is too large to fit in available memory.	
OUT OF MEMORY STORING GRAPHIC	Storing Graphic The graphic image is too large to fit in available memory.	
OUT OF MEMORY STORING FONT	Storing Font Not enough memory available to store the font.	

Print Quality Problems

Table 19 identifies problems with print quality, the possible causes, and the recommended solutions.


Table 19 • Print Quality Problems

Problem	Possible Cause	Recommended Solution
General print quality issues	The printer is set at the incorrect print speed.	For optimal print quality, set the print speed to the lowest possible setting for your application via control panel, the driver, or the software. See Adjust Print Speed on page 75 . You may want to perform the FEED Self Test on page 117 .
	You are using an incorrect combination of labels and ribbon for your application.	<ol style="list-style-type: none"> 1. Switch to a different type of media or ribbon to try to find a compatible combination. 2. If necessary, consult your authorized Zebra reseller or distributor for information and advice.
	The printer is set at an incorrect darkness level.	For optimal print quality, set the darkness to the lowest possible setting for your application via the control panel, the driver, or the software. See Adjust Print Darkness on page 72 . You may want to perform the FEED Self Test on page 117 to determine the ideal darkness setting.
	The printhead is dirty.	Clean the printhead. See Clean the Printhead and Platen Roller on page 90 .
	Incorrect or uneven printhead pressure.	Set the printhead pressure to the minimum needed for good print quality. See Adjust Printhead Pressure on page 61 .
	The printhead is improperly balanced.	Call a service technician.
Long tracks of missing print on several labels	Print element damaged.	Call a service technician.
	Wrinkled ribbon.	See wrinkled ribbon causes and solutions in this table.

Table 19 • Print Quality Problems (Continued)

Problem	Possible Cause	Recommended Solution
Wrinkled ribbon	Ribbon was fed through the ribbon system incorrectly.	Load the ribbon correctly. See Load Ribbon on page 53 .
	Incorrect burn temperature.	Set the darkness to the lowest possible setting for good print quality. See Adjust Print Darkness on page 72 .
	Incorrect or uneven printhead pressure.	Set the printhead pressure to the minimum needed for good print quality. See Adjust Printhead Pressure on page 61 .
	Media not feeding properly; “walking” from side to side.	Make sure that media is snug by adjusting the media guide, or call a service technician.
	The printhead is improperly balanced.	Call a service technician.
Fine, angular gray lines on blank labels	Wrinkled ribbon.	See wrinkled ribbon causes and solutions in this table.
Printing too light or too dark over the entire label	The media or ribbon is not designed for high-speed operation.	Replace supplies with those recommended for high-speed operation.
	You are using an incorrect combination of media and ribbon for your application.	<ol style="list-style-type: none"> 1. Switch to a different type of media or ribbon to try to find a compatible combination. 2. If necessary, consult your authorized Zebra reseller or distributor for information and advice.
	You are using ribbon with direct thermal media.	Direct thermal media does not require ribbon. To check if you are using direct thermal media, perform the label scratch test in When to Use Ribbon on page 34 .
	Incorrect or uneven printhead pressure.	Set the pressure to the minimum needed. See Adjust Printhead Pressure on page 61 .
Smudge marks on labels	The media or ribbon is not designed for high-speed operation.	Replace supplies with those recommended for high-speed operation.
Misregistration/skips labels	The printer is not calibrated.	Recalibrate the printer.
	Improper label format.	Use correct label format.
Misregistration and misprint of one to three labels	The platen roller is dirty.	See Clean the Printhead and Platen Roller on page 90 .
	Media does not meet specifications.	Use media that meets specifications.

Table 19 • Print Quality Problems (Continued)

Problem	Possible Cause	Recommended Solution
Vertical drift in top-of-form position	The printer is out of calibration.	Recalibrate the printer.
	Normal tolerances of mechanical parts and printer modes.  Note • A vertical drift of ± 4 to 6 dot rows (approximately 0.5 mm) is within normal tolerances.	<ol style="list-style-type: none"> 1. Calibrate the printer. See <i>Calibrate Media and Ribbon Sensors</i> on page 85. 2. Adjust the label top position setting. See <i>Adjust Label Top Position</i> on page 73.
	The platen roller is dirty.	Clean the platen roller. See <i>Clean the Printhead and Platen Roller</i> on page 90.
Vertical image or label drift	The printer is using non-continuous labels but is configured in continuous mode.	Configure the printer for non-continuous and run calibration routine, if necessary.
	The media sensor is calibrated improperly.	See <i>Calibrate Media and Ribbon Sensors</i> on page 85.
	The platen roller is dirty.	Clean the platen roller. See <i>Clean the Printhead and Platen Roller</i> on page 90.
	Improper printhead pressure settings (toggles).	Adjust the printhead pressure to ensure proper functionality.
	Improperly loaded ribbon or media.	Verify that the printer is loaded properly.
	Incompatible media.	Ensure that the interlabel gaps or notches are 2 to 4 mm and consistently placed. Media must not exceed minimum specifications for mode of operation.
The bar code printed on a label does not scan.	The bar code is not within specifications because the print is too light or too dark.	Perform the <i>FEED Self Test</i> on page 117. Adjust the darkness or print speed settings as necessary.
	Not enough blank space around the bar code.	Leave at least 1/8 in. (3.2 mm) between the bar code and other printed areas on the label and between the bar code and the edge of the label.

Calibration Problems

Table 20 identifies problems with calibration, the possible causes, and the recommended solutions.

Table 20 • Calibration Problems

Problem	Possible Cause	Recommended Solution
Loss of printing registration on labels. Excessive vertical drift in top-of-form registration.	The platen roller is dirty.	Clean the platen roller according to the instructions in <i>Clean the Printhead and Platen Roller</i> on page 90.
	Media guides are positioned improperly.	Ensure that the media guides are properly positioned.
	The media type is set incorrectly.	Set the printer for the correct media type (gap/notch, continuous, or mark). See <i>Set Media Type</i> on page 74.
	An incorrect sensor is being used for the media type.	Manually select the correct sensor to use. See <i>Select the Media Sensor</i> on page 74.
Auto Calibrate failed.	Media or ribbon is loaded incorrectly.	Ensure that media and ribbon are loaded correctly.
	The sensors could not detect the media or ribbon.	Manually calibrate the printer. See <i>Calibrate Media and Ribbon Sensors</i> on page 85.
	The sensors are dirty, or media is positioned improperly for the sensors to detect.	Ensure that the sensors are clean and that media is positioned properly.

Communications Problems

Table 21 identifies problems with communications, the possible causes, and the recommended solutions.

Table 21 • Communications Problems

Problem	Possible Cause	Recommended Solution
A label format was sent to the printer but was not recognized.	The communication parameters are incorrect.	Check the printer driver or software communications settings (if applicable).
		If you are using serial communication, make sure that you are using a null modem cable or a null modem adapter.
		If a driver is used, check the driver communication settings for your connection.
A label format was sent to the printer. Several labels print, then the printer skips, misplaces, misses, or distorts the image on the label.	The serial communication settings are incorrect.	Ensure that the flow control settings match.
		Check the communication cable length. See Table 5 on page 27 for requirements.
		Check the printer driver or software communications settings (if applicable).
A label format was sent to the printer but was not recognized. No printing occurs.	The prefix and delimiter characters set in the printer do not match the ones in the label format.	Verify the prefix and delimiter characters. See Set Command Character on page 80 and Set Delimiter Character on page 81 for the requirements.
	Incorrect data is being sent to the printer.	Check the communication settings on the computer. Ensure that they match the printer settings.
		Ensure that the label format being used matches the operating language of the printer. See Printer Language Modes on page 22 .
		If the problem continues, check the label format.

Ribbon Problems

Table 22 identifies problems that may occur with ribbon, the possible causes, and the recommended solutions.



Note • This section applies only to printers that have the Thermal Transfer option installed.

Table 22 • Ribbon Problems

Problem	Possible Cause	Recommended Solution
Broken or melted ribbon	Darkness setting too high.	<ol style="list-style-type: none"> 1. Reduce the darkness setting. 2. Clean the printhead thoroughly.
<p>The printer does not detect when the ribbon runs out.</p> <p>When the RIBBON parameter is set to YES, the printer remains in direct thermal mode (shown on the printer configuration label), even though ribbon is loaded correctly in the printer.</p>	The printer was calibrated without ribbon. Later, ribbon was inserted without the user recalibrating the printer or loading printer defaults.	Calibrate the printer, this time using ribbon, or load printer defaults. See Calibrate Media and Ribbon Sensors on page 85 or Load Factory Defaults on page 82 .
The printer indicates that ribbon is out, even though ribbon is loaded correctly.	The printer was not calibrated for the label and ribbon being used.	Perform the calibration procedure in Calibrate Media and Ribbon Sensors on page 85 .

Miscellaneous Printer Problems

Table 23 identifies miscellaneous problems with the printer, the possible causes, and the recommended solutions.

Table 23 • Miscellaneous Printer Problems

Problem	Possible Cause	Recommended Solution
The LCD displays a language that I cannot read	The language parameter was changed through the control panel or a firmware command.	Perform the procedure in <i>Select a Display Language</i> on page 71.
The LCD is missing characters or parts of characters	The LCD may need replacing.	Call a service technician.
Changes in parameter settings did not take effect	Parameters are set incorrectly.	<ol style="list-style-type: none"> 1. Set parameters and save permanently. 2. Turn the printer off (O) and then on (I).
	A firmware command turned off the ability to change the parameter.	Refer to the <i>Programming Guide</i> for the printer language being used, or call a service technician.
	A firmware command changed the parameter back to the previous setting.	Refer to the <i>Programming Guide</i> for the printer language being used, or call a service technician.
	If the problem continues, there may be a problem with the main logic board.	Call a service technician.
The printer stayed in Tear-Off mode when I switched to Peel-Off mode.	If you turn on the printer with the peel assembly open, the printer does not recognize the take-label sensor. The printer cannot operate in Peel-Off mode until it recognizes this sensor.	<ol style="list-style-type: none"> 1. Close the peel assembly. 2. Make sure that no labels extend past the peel-off/tear-off bar. 3. Use the control panel to set the printer to Peel-Off mode, and save the changes. 4. Turn the printer power off (O) and then on (I).
The printer fails to calibrate or detect the top of the label.	The printer was not calibrated for the label being used.	Perform the calibration procedure in <i>Calibrate Media and Ribbon Sensors</i> on page 85.
	The printer is configured for continuous media.	Set the media type to noncontinuous media. See <i>Set Media Type</i> on page 74.
	The driver or software configuration is not set correctly.	Driver or software settings produce commands that can overwrite the printer configuration. Check the driver or software media-related setting.

Table 23 • Miscellaneous Printer Problems (Continued)

Problem	Possible Cause	Recommended Solution
Non-continuous labels are being treated as continuous labels.	The printer was not calibrated for the media being used.	Perform the calibration procedure in <i>Calibrate Media and Ribbon Sensors</i> on page 85.
All lights are on, but nothing displays on the LCD, and the printer locks up.	Internal electronic or firmware failure.	Call a service technician.
The printer locks up while running the Power-On Self Test.	Main logic board failure.	Call a service technician.

Printer Diagnostics

Self tests and other diagnostics provide specific information about the condition of the printer. The self tests produce sample printouts and provide specific information that helps determine the operating conditions for the printer. The most commonly used are the Power-On and the CANCEL self tests.



Important • Use full-width media when performing self tests. If your media is not wide enough, the test labels may print on the platen roller.

Each self test is enabled by pressing a specific control panel key or combination of keys while turning on (I) the printer power. Keep the key(s) pressed until the first indicator light turns off. The selected self test automatically starts at the end of the Power-On Self Test.



Note •

- When performing these self tests, do not send data to the printer from the host.
- If your media is shorter than the label to be printed, the test label continues on the next label.
- When canceling a self test prior to its actual completion, always reset the printer by turning it off (O) and then on (I).

Power-On Self Test

A Power-On Self Test (POST) is performed each time the printer is turned on (I). During this test, the control panel lights (LEDs) turn on and off to ensure proper operation. At the end of this self test, only the POWER LED remains lit. When the Power-On Self Test is complete, the media is advanced to the proper position.

To initiate the Power-On Self Test, complete these steps:

1. Turn on (I) the printer.

The POWER LED illuminates. The other control panel LEDs and the LCD monitor the progress and indicate the results of the individual tests. All messages during the POST display in English; however, if the test fails, the resulting messages cycle through the international languages as well.

CANCEL Self Test

The CANCEL self test prints a configuration label (Figure 23).

To perform the CANCEL Self Test, complete these steps:

1. Turn off (O) the printer.
2. Press and hold CANCEL while turning on (I) the printer. Hold CANCEL until the first control panel light turns off.
 A printer configuration label prints (Figure 23).

Figure 23 • Sample Configuration Label



PAUSE Self Test

This self test can be used to provide the test labels required when making adjustments to the printer's mechanical assemblies or to determine if any printhead elements are not working. [Figure 24](#) shows a sample printout.

To perform a PAUSE self test, complete these steps:

1. Turn off (O) the printer.
2. Press and hold PAUSE while turning on (I) the printer. Hold PAUSE until the first control panel light turns off.
 - The initial self test prints 15 labels at the printer's slowest speed, and then automatically pauses the printer. Each time PAUSE is pressed, an additional 15 labels print. [Figure 24](#) shows a sample of the labels.

Figure 24 • PAUSE Test Label



- While the printer is paused, pressing CANCEL alters the self test. Each time PAUSE is pressed, 15 labels print at 6 in. (152 mm) per second.
- While the printer is paused, pressing CANCEL again alters the self test a second time. Each time PAUSE is pressed, 50 labels print at the printer's slowest speed
- While the printer is paused, pressing CANCEL again alters the self test a third time. Each time PAUSE is pressed, 50 labels print at 6 in. (152 mm) per second.
- While the printer is paused, pressing CANCEL again alters the self test a fourth time. Each time PAUSE is pressed, 15 labels print at the printer's maximum speed.
- To exit this self test at any time, press and hold CANCEL.

FEED Self Test

Different types of media may require different darkness settings. This section contains a simple but effective method for determining the ideal darkness for printing bar codes that are within specifications.

During the FEED self test, labels are printed at different darkness settings at two different print speeds. The relative darkness and the print speed are printed on each label. The bar codes on these labels may be ANSI-graded to check print quality.

During this test, one set of labels is printed at 2 ips, and another set is printed at 6 ips. The darkness value starts at three settings lower than the printer's current darkness value (relative darkness of -3) and increase until the darkness is three settings higher than the current darkness value (relative darkness of +3).

To perform a FEED self test, complete these steps:

1. Print a configuration label to show the printer's current settings.
2. Turn off (O) the printer.
3. Press and hold FEED while turning on (I) the printer. Hold FEED until the first control panel light turns off.

The printer prints a series of labels (Figure 25) at various speeds and at darkness settings higher and lower than the darkness value shown on the configuration label.

Figure 25 • FEED Test Label



4. See Figure 26 and Table 24. Inspect the test labels and determine which one has the best print quality for your application. If you have a bar code verifier, use it to measure bars/spaces and calculate the print contrast. If you do not have a bar code verifier, use your eyes or the system scanner to choose the optimal darkness setting based on the labels printed in this self test.

Figure 26 • Bar Code Darkness Comparison

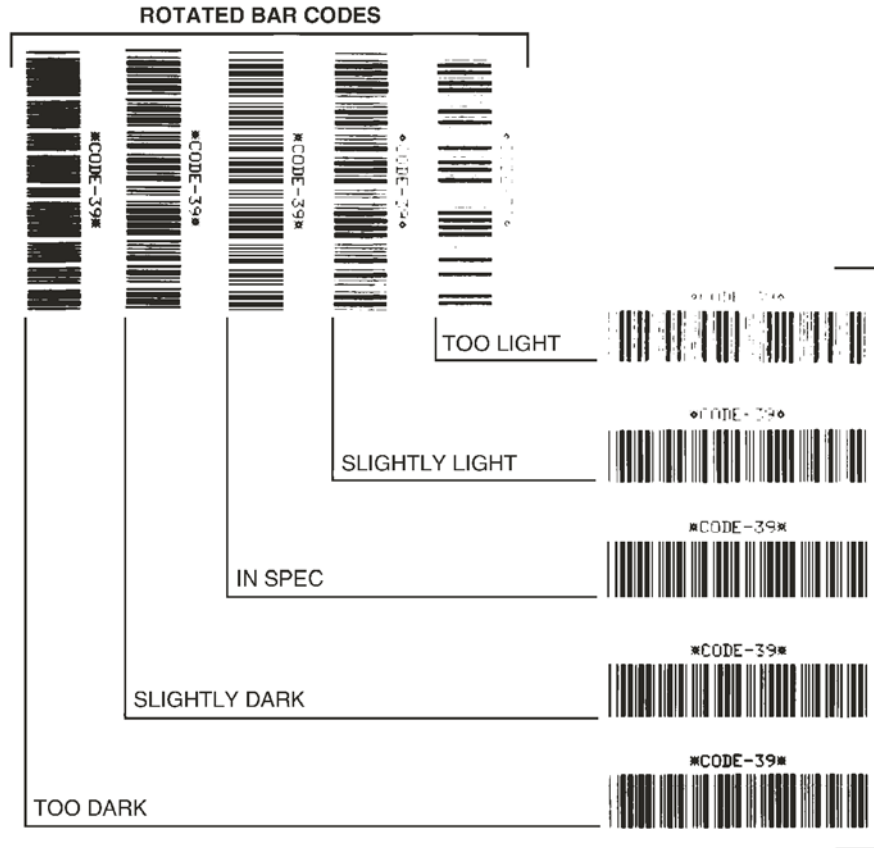


Table 24 • Judging Bar Code Quality

Print Quality	Description
Too dark	<p>Labels that are too dark are fairly obvious. They may be readable but not “in-spec.”</p> <ul style="list-style-type: none"> • The normal bar code bars increase in size. • The openings in small alphanumeric characters may fill in with ink. • Rotated bar code bars and spaces run together.
Slightly dark	<p>Slightly dark labels are not as obvious.</p> <ul style="list-style-type: none"> • The normal bar code will be “in-spec.” • Small character alpha numerics will be bold and could be slightly filled in. • The rotated bar code spaces are small when compared to the “in-spec” code, possibly making the code unreadable.

Table 24 • Judging Bar Code Quality (Continued)

Print Quality	Description
“In-spec”	<p>The “in-spec” bar code can only be confirmed by a verifier, but it should exhibit some visible characteristics.</p> <ul style="list-style-type: none"> • The normal bar code will have complete, even bars and clear, distinct spaces. • The rotated bar code will have complete, even bars and clear, distinct spaces. Although it may not look as good as a slightly dark bar code, the bar code will be “in-spec.” • In both normal and rotated styles, small alphanumeric characters look complete.
Slightly light	<p>Slightly light labels are, in some cases, preferred to slightly dark ones for “in-spec” bar codes.</p> <ul style="list-style-type: none"> • Both normal and rotated bar codes will be in spec, but small alphanumeric characters may not be complete.
Too light	<p>Labels that are too light are obvious.</p> <ul style="list-style-type: none"> • Both normal and rotated bar codes have incomplete bars and spaces. • Small alphanumeric characters are unreadable.

5. Note the relative darkness value and the print speed printed on the best test label.
6. Add or subtract the relative darkness value from the darkness value specified on the configuration label. The resulting numeric value (0 to 30) is the best darkness value for that specific label/ribbon combination and print speed.
7. If necessary, change the darkness value to the darkness value on the best test label. See [Adjust Print Darkness on page 72](#).
8. If necessary, change the print speed to the same speed as on the best test label. See [Adjust Print Speed on page 75](#).

FEED and PAUSE Self Test

Performing this self test temporarily resets the printer configuration to the factory default values. These values are active only until power is turned off unless you save them permanently in memory. If the factory default values are permanently saved, a media calibration procedure must be performed.

To perform a FEED and PAUSE self test, complete these steps:

1. Turn off (O) the printer.
2. Press and hold FEED and PAUSE while turning on (I) the printer.
3. Hold FEED and PAUSE until the first control panel light turns off.

The printer configuration is temporarily reset to the factory default values. No labels print at the end of this test.

Communications Diagnostics Test

The communication diagnostics test is a troubleshooting tool for checking the interconnection between the printer and the host computer.

When the printer is in diagnostics (hex dump) mode, it prints all data received from the host computer as straight ASCII characters with the hex values below the ASCII text. The printer prints all characters received, including control codes such as CR (carriage return). [Figure 27](#) shows a typical test label from this test.



Note • The test label prints upside-down.

Figure 27 • Communications Diagnostics Test Label



To use communications diagnostics mode, complete these steps:

1. Set the print width equal to or less than the label width being used for the test. See [Set Print Width on page 75](#) for more information.
2. Set Hex Dump mode to **YES**. For instructions, see [Hex Dump on page 81](#).
The printer enters diagnostics mode and prints any data received from the host computer on a test label
3. Check the test label for error codes. For any errors, check that your communication parameters are correct.
Errors show on the test label as follows:
 - FE indicates a framing error.
 - OE indicates an overrun error.
 - PE indicates a parity error.
 - NE indicates noise.
4. Turn the printer off (**O**) and then back on (**I**) to exit this self test and return to normal operation.

Sensor Profile

Use the sensor profile label to troubleshoot the following types of problems:

- If the media sensor experiences difficulty in determining gaps (web) between labels.
- If the media sensor incorrectly identifies preprinted areas on a label as gaps (web).
- If the ribbon sensor cannot detect ribbon.

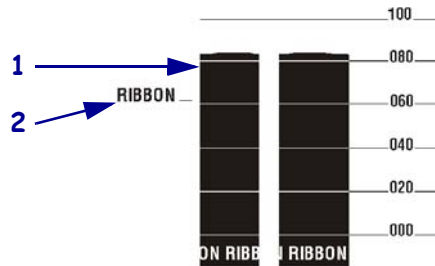
For instructions on printing a sensor profile, see [Print Sensor Profile on page 84](#). If the sensitivity of the sensors must be adjusted, perform [Calibrate Media and Ribbon Sensors on page 85](#).



Note • The ribbon portion of the label appears only for printers that have the Thermal Transfer option installed.

Ribbon Sensor Profile (Figure 28) The bars (1) on the sensor profile indicate the ribbon sensor readings. The ribbon sensor threshold setting is indicated by the word RIBBON (2). If the ribbon readings are below the threshold value, the printer does not acknowledge that ribbon is loaded.

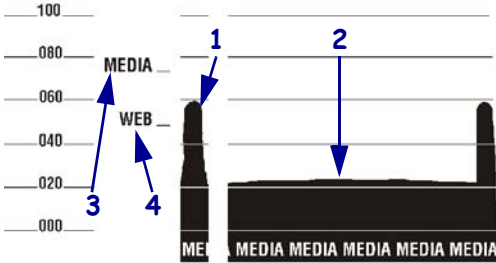
Figure 28 • Sensor Profile (Ribbon Section)



Media Sensor Profile (Figure 29) The media sensor readings are shown as bars and flat areas on the sensor profile. The bars (1) indicate gaps between labels (the web), and the low areas (2) indicate where labels are located. If you compare the sensor profile printout to a blank length of your media, the bars should be the same distance apart as the gaps on the media. If the distances are not the same, the printer may be having difficulty determining where the gaps are located.

The media sensor threshold settings are shown by the words MEDIA (3) for the media threshold and WEB (4) for the web threshold. Use the numbers to the left of the sensor readings to compare the numeric readings to the sensor settings.

Figure 29 • Sensor Profile (Media Section)





Notes • _____



Specifications

This section provides the features of and specifications for the printer.

Contents

General Specifications	126
Printing Specifications	128
Ribbon Specifications	130

General Specifications

General Specifications			
Height		11.6 in.	295 mm
Width		10.7 in.	272 mm
Depth		18.8 in.	477 mm
Weight (without options)		27.2 lbs.	12.4 kg
Electrical		90–264 VAC, 47–63 Hz, 3 Amps (100 W)	
Temperature	Operating	40° to 104°F	5° to 40°C
	Storage	–40° to 140°F	–40° to 60°C
Relative Humidity	Operating	20% to 85%, non-condensing	
	Storage	5% to 85%, non-condensing	
Communication Interface		<ul style="list-style-type: none"> • RS-232/CCITT V.24 serial data interface; 300 to 115000 baud, parity, bits/character, 7 or 8 data bit, and XON-XOFF, RTS/CTS or DTR/DSR handshake protocol required. 750mA at 5 V from pins 1 and 9. • USB 1.1 data interface • One of the following: <ul style="list-style-type: none"> • 8-bit parallel data interface; supports IEEE 1284 bidirectional parallel; nibble mode compliant. • 10/100 internal Ethernet • 802.11b/g wireless card support 	

Agency Approvals

Agency Approvals	<ul style="list-style-type: none"> • IEC60950-1 • EN55022: Class B • EN55024 • EN61000-3-2,-3-3
Product Markings	<ul style="list-style-type: none"> • cULus • CE Marking • FCC-B • ICES-003 • VCCI • C-Tick • NOM • CCC • GOST-R • S-Mark (Argentina) • MIC • BSMI

Printing Specifications

Printing Specifications			
Print resolution		203 dots/inch	8 dots/mm
		300 dots/inch	12 dots/mm
Dot size (width x length)	203 dpi	0.00492 in. x 0.00492 in.	0.125 mm x 0.125 mm
	300 dpi	0.0033 in. x 0.0039 in.	0.084 mm x 0.099 mm
Maximum print width	203 dpi	4.09 in.	104 mm
	300 dpi	4.1 in.	106 mm
Bar code modulus (X) dimension	203 dots/inch	5 mil to 50 mil	
	300 dots/inch	3.3 mil to 33 mil	
Programmable constant print speeds	203 dots/inch and 300 dots/inch	Per second:	Per second:
		2 in.	51 mm
	3 in.	76 mm	
	4 in.	102 mm	
	5 in.	127 mm	
	6 in.	152 mm	

Media Specifications

Media Specifications			
Label length	Minimum (Tear-Off)	0.7 in.	17.8 mm
	Minimum (Peel-Off)	0.5 in.	12.7 mm
	Maximum	39 in.	991 mm
Label width	Minimum	0.75 in.	19 mm
	Maximum	4.5 in.	114 mm
Total thickness (includes liner, if any)	Minimum	0.003 in.	0.076 mm
	Maximum	0.010 in.	0.25 mm
Maximum roll outside diameter	3-in. (76 mm) core	8 in.	203 mm
	1-in. (25 mm) core	6 in.	152 mm
Inter-label gap	Minimum	0.079 in.	2 mm
	Preferred	0.118 in.	3 mm
	Maximum	0.157 in.	4 mm
Ticket/tag notch size (width x length)		0.25 in. × 0.12 in.	6 mm × 3 mm
Hole diameter		0.125 in.	3 mm
Notch or hole position (Centered from inner media edge)	Minimum	0.15 in.	3.8 mm
	Maximum	2.25 in.	57 mm
Density, in Optical Density Units (ODU) (black mark)		> 1.0 ODU	
Maximum media density		≤ 0.5 ODU	
Transmissive Sensor	Fixed	7/16 in. (11 mm) from inside edge	

Ribbon Specifications



Note • This section applies only to printers that have the Thermal Transfer option installed.

Ribbon must be wound with the coated side out.

Ribbon Specifications			
Ribbon width (Zebra recommends using ribbon at least as wide as the media to protect the printhead from wear.)	Minimum	>2 in.*	51 mm*
	Maximum	4.3 in.	109 mm
Standard lengths	2:1 media to ribbon roll ratio	984 ft.	300 m
	3:1 media to ribbon roll ratio	1476 ft.	450 m
Ribbon core inside diameter		1 in.	25.4 mm

* Depending on your application, you may be able to use ribbon narrower than 2 in. (51 mm), as long as the ribbon is wider than the media being used. To use a narrower ribbon, test the ribbon's performance with your media to assure that you get the desired results.



ZPL II Commands

This section provides the ZPL II commands that were added or changed for the S4M.

Contents

^KP Define Password	132
---------------------------	-----

^KP

Define Password

Description The ^KP command is used to define the password that must be entered to access the control panel switches and LCD Setup mode. For more information about the password structure in this printer, see *Password Protection of Parameters* on page 66.

Format ^KP a, b

This table identifies the parameters for this format:

Parameters	Details
a = mandatory four-digit password	A password of 0000 for any level disables password checking for that level and all levels below it. The printer web pages assume the Level 3 password. <i>Accepted Values:</i> Any four-digit number from 0000 to 9999 <i>Default Value:</i> <ul style="list-style-type: none"> • Level 4—9999 • Level 3—1234 • Level 2—0000 • Level 1—0000
b = password level	<i>Accepted Values:</i> 1, 2, 3, 4 <i>Default Value:</i> 3

Example • This example shows how to set a password of 5678 for level 3:

```
^XA
^KP5678,3
^XZ
```

Password-Protect All Parameters To password protect all parameters, send the ^KP ZPL II command with a password for each level.

Disable Passwords To disable the password-protection feature for a particular level and those below it, set the password to 0000 using the ^KP ZPL II command. To reenable the password-protection feature, send the ZPL II command with any non-zero number for a password.

Return to Default Passwords If you forget your passwords, the printer can be returned to the default factory settings, which makes the default passwords valid again. Use caution when returning the passwords to their default values because this also sets all other printer parameters back to their defaults.

To return the printer to the default factory settings using ZPL, send this command:

```
^XA
^JUF
^XZ
```

End User License Agreement



Please read the terms of this “End User License Agreement” (the “Agreement”) carefully. The Agreement is a legal agreement between you (either an individual or a single entity) and Zebra Technologies International, LLC (“Zebra”) for the Zebra computer software and/or firmware accompanying this End User License Agreement, and any associated media, printed materials and any “online” or electronic documentation (collectively, “**Software**”). By installing or using the Software, you agree to be bound by the terms of this Agreement. If you do not agree to the terms of this Agreement, you may not install or use the Software.

1. Grant of License. The Software is protected by copyright and other intellectual property laws and international treaties. The Software is licensed to you, and not sold, subject to the terms of this Agreement. Subject to the terms of this Agreement, Zebra hereby grants you a limited, personal, non-exclusive license during the term of this Agreement to use the Software solely and exclusively for your internal use for the operation of your associated Zebra printer(s) and for no other purpose. To the extent that any portion of the Software is provided to you in a manner that is designed to be installed by you, you may install one copy of the installable Software on one hard disk or other storage device for one printer, computer, workstation, terminal, or other digital electronic device, as applicable (an “Electronic Device”), and you may access and use that Software as installed on that Electronic Device so long as only one copy of such Software is in operation. If you are an organization rather than an individual, you may authorize personnel associated with your business to use the Software, but only one person at a time on one Electronic Device at a time. You agree not to duplicate or copy the Software, except that you may make one back-up copy for archive purposes. The primary user of the Electronic Device on which installable Software is installed may also make a copy for his or her exclusive use on a portable computer, so long as such Software is being used only on one Electronic Device at a time.

2. Storage/Network Use. In the alternative, you may install a copy of the Software on a storage device, such as a network server, used only to access and use the Software on your Electronic Devices over an internal network; however, you must acquire and dedicate a license for each separate Electronic Device on which the Software is accessed and used from the storage device. A license for the Software may not be shared or used concurrently on different Electronic Devices.

3. Documentation. If the Software contains documentation which is provided only in electronic form, you may print one copy of such electronic documentation. You may not copy the printed materials accompanying the Software.

4. Limitations of Reverse Engineering, Decompilation and Disassembly. You may not reverse engineer, decompile, or disassemble the Software, except and only to the extent that such activity is permitted by applicable law notwithstanding this limitation.

5. Transfer/Sublicense. You may not transfer, sublicense, distribute, rent, lease, supply, market or lend the Software to any other party.

6. Confidentiality. You acknowledge that the Software embodies confidential information owned by Zebra and/or its suppliers and licensors. To the extent you have access to any such information, you agree to use such information only for the authorized use of the Software. You further agree not to disclose such confidential information to any other party and to use at least the same degree of care to maintain the confidential nature of such information as you use to maintain the confidentiality of your own confidential information.

7. Intellectual Property. All title, copyrights and other intellectual property rights in and to the Software (including but not limited to copyrights, patents, trade secrets and trademarks) are owned by Zebra or its suppliers and licensors. You must maintain all copyright notices on all copies of the Software. All rights not expressly granted are reserved by Zebra. Without prejudice to any rights or remedies Zebra may have for your violation of this Software License, Zebra shall own all changes or modifications to the Software.

8. Termination. Without prejudice to any other rights or remedies Zebra may have, Zebra may terminate this Agreement if you fail to comply with the terms and conditions of this Agreement. Zebra may terminate this Agreement by offering you a superseding Agreement for the Software or any replacement or modified version of or upgrade to the Software and conditioning your continued use of the Software or such replacement, modified or upgraded version on your acceptance of such superseding Agreement. In addition, either party may terminate this Agreement at any time. Subject to the foregoing, termination shall be effective upon notice to the other party. In the event that this Agreement terminates for any reason, your license to use the Software will terminate, and you must immediately stop using the Software, destroy all copies of the Software and all of its component parts, and, upon request, provide an affidavit certifying your compliance with the foregoing. The provisions of Sections 4, 5, 6, 7, 12, 13, 14, 15, 16, 17, 18, 19 and 20 shall survive termination of this Agreement.

9. U.S. Government Restricted Rights. You agree that the Software constitutes “commercial computer software” and/or “commercial computer software documentation” within the meaning of Federal Acquisition Regulation § 12.212 for civilian agencies and Defense Federal Acquisition Regulation Supplement § 227.7202. Accordingly, if you are an agency, department, employee, or other entity of the United States Government, the use, duplication, reproduction, release, modification, disclosure, or transfer of the Software, including technical data or manuals, is restricted by the terms, conditions and covenants contained in these EULA Terms and Conditions. All Software provided to the U.S. Government pursuant to solicitations issued prior to December 1, 1995 is provided with RESTRICTED RIGHTS as provided for in FAR, 48 CFR 52.227-19 (JUNE 1987) or DFARs, 48 CFR 252.227-7013 (OCT 1988), as applicable.

10. Export Restrictions. You agree that you will not export or re-export the Software, any part thereof, or any process or service that is the direct product of the Software (the foregoing collectively referred to as the “Restricted Components”), to any country, person or entity subject to U.S. export restrictions. You specifically agree not to export or re-export any of the Restricted Components: (i) to any country to which the U.S. has embargoed or restricted the export of goods or services, which currently include but are not necessarily limited to Cuba, Iran, Iraq, North Korea, Sudan and Syria, or to any national of any such country, wherever located, who intends to transmit or transport the Restricted Components back to such country; (ii) to any person or entity who you know or have reason to know will utilize the Restricted Components in the design, development or production of nuclear, chemical or biological weapons; or (iii) to any person or entity who has been prohibited from participating in U.S. export transactions by any federal agency of the U.S. government. You warrant and represent that neither the U.S. Commerce Department, Bureau of Export Administration nor any other U.S. federal agency has suspended, revoked or denied your export privileges. Contractor/Manufacturer is Zebra Technologies Corporation, 333 Corporate Woods Parkway, Vernon Hills, Illinois 60061.

11. Accessing Services Using the Software. Your use of any service accessible using the Software is not covered by this EULA and may be governed by separate terms of use, conditions or notices. Zebra and its suppliers and licensors hereby disclaim any such liability for any such services accessed.

12. Your Security Responsibilities. Notwithstanding anything to the contrary in this Agreement, as between Zebra and you, you acknowledge and agree that you are solely responsible for maintaining and protecting all aspects of any network, systems, and data (including any Personal Information) of, relating to, possessed by, or maintained by you, including maintaining and protecting such things from or against any theft, loss, misuse, alteration, disposal, or unauthorized access. “Personal Information” means individually identifiable information from or about an individual consumer including, but not limited to: (a) a first and last name or first initial and last name; (b) a home or other physical address, which includes at least a street name and name of city or town; (c) an email address; (d) a telephone number; (e) a Social Security number; (f) credit and/or debit card information, including number, expiration date, security code, and/or track data; (g) date of birth; (h) driver's license number; or (i) any other information from or about an individual consumer that is combined with (a) through (i) above.

13. Disclaimer. ZEBRA SUPPLIES THE SOFTWARE AS IS AND WITH ALL FAULTS AND DOES NOT MAKE ANY WARRANTIES WHATSOEVER, EXPRESS OR IMPLIED, INCLUDING BUT NOT LIMITED TO WARRANTIES CONCERNING THE SOFTWARE OR ANY APPLICATION, OPERATION OR USE THEREOF, THE OUTPUT OR THE DATA GENERATED BY THE OPERATION OR USE THEREOF, OR ANY SUPPORT SERVICES RENDERED WITH RESPECT THERETO. ZEBRA HEREBY EXCLUDES ALL IMPLIED WARRANTIES TO THE MAXIMUM EXTENT AUTHORIZED BY LAW, INCLUDING, SPECIFICALLY, ANY IMPLIED WARRANTY ARISING BY STATUTE OR OTHERWISE IN LAW OR FROM A COURSE OF DEALING OR USAGE OF TRADE, ALL IMPLIED WARRANTIES OF MERCHANTABILITY, OR OF MERCHANTABILITY QUALITY, OR OF FITNESS FOR ANY PURPOSE, PARTICULAR, SPECIFIC OR OTHERWISE, OR OF TITLE, OR OF NON-INFRINGEMENT. SOME JURISDICTIONS DO NOT ALLOW THE EXCLUSION OR LIMITATION OF IMPLIED WARRANTIES, SO THE ABOVE LIMITATION OR EXCLUSION MAY NOT APPLY TO YOU. WHEN THE

IMPLIED WARRANTIES ARE NOT ALLOWED TO BE EXCLUDED IN THEIR ENTIRETY, THEY WILL BE LIMITED TO THE DURATION OF NINETY (90) DAYS. WITHOUT LIMITING THE GENERALITY OF THE FOREGOING, ZEBRA DOES NOT WARRANT THAT THE OPERATION OF THE SOFTWARE WILL BE UNINTERRUPTED OR ERROR FREE. To the extent that the Software covered by this EULA includes emulation libraries, sUCH emulation libraries do not work 100% correctly or cover 100% of the functionality of the printer language being emulated, are offered “as is” AND WITH ALL FAULTS, AND ALL THE DISCLAIMERS AND LIMITATIONS CONTAINED IN THIS PARAGRAPH AND THIS AGREEMENT APPLY TO SUCH EMULATION LIBRARIES.

14. Limitation of Liability and Damages. ZEBRA DOES NOT ASSUME RESPONSIBILITY FOR ANY SPECIFIC APPLICATION OF THE SOFTWARE OR FOR COMPATIBILITY WITH OTHER SOFTWARE OR EQUIPMENT. TO THE FULL EXTENT ALLOWED BY LAW, ZEBRA EXCLUDES FOR ITSELF AND ITS LICENSORS AND SUPPLIERS ANY LIABILITY FOR ANY DAMAGES, INCLUDING WITHOUT LIMITATION DIRECT, CONSEQUENTIAL, INCIDENTAL, INDIRECT, SPECIAL, EXEMPLARY OR PUNITIVE DAMAGES OF ANY KIND, OR FOR LOSS OF REVENUE OR PROFITS, LOSS OF BUSINESS, DAMAGE TO GOODWILL, LOSS OF INFORMATION OR DATA, OR OTHER FINANCIAL LOSS ARISING OUT OF OR IN CONNECTION WITH THE SALE, INSTALLATION, MAINTENANCE, USE, PERFORMANCE, FAILURE, OR INTERRUPTION OF ANY PRODUCTS, PARTS OR SOFTWARE, WHETHER BASED ON CONTRACT, TORT, NEGLIGENCE, STRICT LIABILITY OR OTHERWISE, EVEN IF ZEBRA OR ANY LICENSOR OR SUPPLIER HAS BEEN ADVISED OF THE POSSIBILITY OF SUCH DAMAGES. TO THE MAXIMUM EXTENT AUTHORIZED BY LAW, THIS DISCLAIMER OF LIABILITY FOR DAMAGES WILL NOT BE AFFECTED IF ANY REMEDY PROVIDED HEREIN SHALL FAIL OF ITS ESSENTIAL PURPOSE. SOME JURISDICTIONS DO NOT ALLOW THE EXCLUSION OR LIMITATION OF DIRECT, INCIDENTAL, CONSEQUENTIAL OR OTHER DAMAGES, SO THE ABOVE LIMITATION OR EXCLUSION MAY NOT APPLY TO YOU. WHEN LIABILITY FOR DAMAGES IS NOT ALLOWED TO BE LIMITED OR EXCLUDED IN ITS ENTIRETY, ZEBRA LIMITS ITS LIABILITY TO REPAIR, REPLACEMENT, OR, AT ZEBRA'S OPTION, REFUND OF THE PRICE OF THE SOFTWARE. NOTWITHSTANDING ANYTHING TO THE CONTRARY IN THIS AGREEMENT, ZEBRA SHALL NOT, UNDER ANY CIRCUMSTANCE OR UNDER ANY LEGAL OR EQUITABLE THEORY (INCLUDING, WITHOUT LIMITATION, UNDER CONTRACT, TORT, CONTRIBUTION, OR INDEMNITY), BE LIABLE TO CUSTOMER OR TO ANY OTHER PARTY FOR ANY LOSSES, DAMAGES (WHETHER DIRECT, INDIRECT, SPECIAL, PUNITIVE, INCIDENTAL OR CONSEQUENTIAL), COSTS, EXPENSES, FINES OR FEES RELATING TO THE THEFT, LOSS, MISUSE, ALTERATION, OR DISPOSAL OF, OR UNAUTHORIZED ACCESS TO, ANY NETWORK, SYSTEM, OR DATA (INCLUDING PERSONAL INFORMATION) OF, RELATING TO, POSSESSED BY, OR MAINTAINED BY CUSTOMER.

15. Zebra Suppliers and Licensors. Any release, disclaimer or limitation of Zebra's liability or damages pursuant to this Agreement shall be construed, in addition to Zebra's benefit, also to the benefit of Zebra's suppliers, licensors, employees, and contractors and, without limiting any other defenses that such suppliers, licensors, employees and contractors may have, you agree to release such parties from liability or damages in accordance with such release, disclaimer, or limitation of liability or damages to the same extent that such provisions apply to Zebra.

16. Governing Law. To the maximum extent permitted by law, the laws of the State of Illinois, U.S.A., without reference to its conflict of laws provisions, will apply to this Agreement. You irrevocably agree to submit to the exclusive jurisdiction and venue of the state or federal courts in the State of Illinois in the event of any litigation involving this Agreement or the Software. You agree that you shall not assert any claim that you are not subject to the jurisdiction of such courts, that the venue is improper, that the forum is inconvenient or any similar objection, claim or argument. Zebra may, in its sole discretion, choose to resolve any controversy or dispute between you and Zebra concerning this Agreement, or the existence, validity, breach or termination thereof, whether during or after the term by binding arbitration in accordance with the Commercial Arbitration Rules of the American Arbitration Association (“AAA”), as modified or supplemented under this Section 15, by providing notice to you. In the event that Zebra provides such notice, you hereby waive any right to institute a court or other dispute resolution proceeding with respect to such controversy or dispute and acknowledge arbitration in accordance with this Section 15 as the sole and exclusive means of resolving such controversy or dispute. The arbitration proceeding will take place in Chicago, Illinois and be conducted in the English language. The arbitration panel will consist of 3 arbitrators, one arbitrator appointed by each party and a third neutral arbitrator appointed by the two arbitrators designated by the parties. Any communication between a party and any arbitrator will be directed to the AAA for transmittal to the arbitrator. The parties expressly agree that the arbitrators will be empowered to, at either party’s request, grant injunctive relief. The arbitral award will be the exclusive remedy of the parties for all claims, counterclaims, issues or accountings presented or pleaded to the arbitrators. Judgment upon the arbitral award may be entered in any court that has jurisdiction thereof. Any additional costs, fees or expenses incurred in enforcing the arbitral award will be charged against the party that resists its enforcement. Nothing in this Section will prevent Zebra from seeking interim injunctive relief against you or filing an action against you to collect unpaid and past due amounts in any court of competent jurisdiction.

17. Injunctive Relief. You acknowledge that, in the event you breach any provision of this Agreement, Zebra will not have an adequate remedy in money or damages. Zebra shall therefore be entitled to obtain an injunction against such breach from any court of competent jurisdiction immediately upon request without posting bond. Zebra's right to obtain injunctive relief shall not limit its right to seek further remedies.

18. Entire Agreement. This Agreement constitutes the entire understanding and agreement of the parties and supersedes any and all prior or contemporaneous representations, understandings and agreements between the parties with respect to the subject matter of this Agreement. If any provision of this Agreement is held invalid, the remainder of this Agreement shall continue in full force and effect.

19. Assignment. You may not assign this Agreement or any of your rights or obligations hereunder (by operation of law or otherwise) without the prior written consent of Zebra. Zebra may assign this Agreement and its rights and obligations without your consent. Subject to the foregoing, this Agreement shall be binding upon and inure to the benefit of the parties to it and their respective legal representatives, successors and permitted assigns.

20. Modification. No modification of this Agreement shall be binding unless it is in writing and is signed by an authorized representative of the party against whom enforcement of the modification is sought.

21. Waiver. The failure by a party to exercise any right hereunder shall not operate as a waiver of such party's right to exercise such right or any other right in the future.

22. QUESTIONS. Should you have any questions, or if you desire to contact Zebra for any reason, please contact the Zebra subsidiary serving your country, or write:

Zebra Technologies International, LLC
333 Corporate Woods Parkway
Vernon Hills, Illinois 60061

REVISED MARCH 2008.

Glossary



alphanumeric Indicating letters, numerals, and characters such as punctuation marks.

backfeed When the printer pulls the media and ribbon (if used) backward into the printer so that the beginning of the label to be printed is properly positioned behind the printhead. Backfeed occurs when operating the printer in Tear-Off and Applicator modes.

bar code A code by which alphanumeric characters can be represented by a series of adjacent stripes of different widths. Many different code schemes exist, such as the universal product code (UPC) or Code 39.

black mark A registration mark found on the underside of the print media that acts as a start-of-label indication for the printer. (See [non-continuous media](#).)

calibration (of a printer) A process in which the printer determines some basic information needed to print accurately with a particular media and ribbon combination. To do this, the printer feeds some media and ribbon (if used) through the printer and senses whether to use the direct thermal or thermal transfer print method, and (if using non-continuous media) the length of individual labels or tags.

configuration The printer configuration is a group of operating parameters specific to the printer application. Some parameters are user selectable, while others are dependent on the installed options and mode of operation. Parameters may be switch selectable, control panel programmable, or downloaded as ZPL II commands. A configuration label listing all the current printer parameters may be printed for reference.

continuous media Label or tag-stock media that has no notch, gap, or web (media liner only) to separate the labels or tags. The media is one long piece of material.

core diameter The inside diameter of the cardboard core at the center of a roll of media or ribbon.

diagnostics Information about which printer functions are not working that is used for troubleshooting printer problems.

direct thermal A printing method in which the printhead presses directly against the media. Heating the printhead elements causes a discoloration of the heat-sensitive coating on the media. By selectively heating the printhead elements as the media moves past, an image is printed onto the media. No ribbon is used with this printing method. Contrast this with *thermal transfer*.

direct thermal media Media that is coated with a substance that reacts to the application of direct heat from the printhead to produce an image.

dynamic RAM The memory devices used to store the label formats in electronic form while they are being printed. The amount of DRAM memory available in the printer determines the maximum size and number of label formats that can be printed. This is volatile memory that loses the stored information when power is turned off.

fanfold media Media that comes folded in a rectangular stack. Contrast this with *roll media*.

firmware This is the term used to specify the printer's operating program. This program is downloaded to the printer from a host computer and stored in FLASH memory. Each time the printer power is turned on, this operating program starts. This program controls when to feed the media forward or backward and when to print a dot on the label stock.

FLASH memory FLASH memory is non-volatile and maintains the stored information intact when power is off. This memory area is used to store the printer's operating program. In addition, this memory can be used to store optional printer fonts, graphic formats, and complete label formats.

Font A complete set of alphanumeric characters in one style of type. Examples include CG Times™, CG Triumvirate Bold Condensed™.

ips (inches-per-second) The speed at which the label or tag is printed. Zebra printers can print from 1 ips to 12 ips.

label An adhesive-backed piece of paper, plastic, or other material on which information is printed.

label backing (liner) The material on which labels are affixed during manufacture and which is discarded or recycled by the end-users.

light emitting diode (LED) Indicators of specific printer status conditions. Each LED is either off, on, or blinking depending on the feature being monitored.

liquid crystal display (LCD) The LCD is a back-lit display that provides the user with either operating status during normal operation or option menus when configuring the printer to a specific application.

lock-up This is the term generally used to describe a fault condition that, for no apparent reason, causes the printer to stop working. THIS COMMAND IS NOT FOUND IN ZPL GUIDE.

media Material onto which data is printed by the printer. Types of media include: tag stock, die-cut labels, continuous labels (with and without media liner), non-continuous media, fanfold media, and roll media.

media sensor This sensor is located behind the printhead to detect the presence of media and, for non-continuous media, the position of the web, hole, or notch used to indicate the start of each label.

media supply hanger The stationary arm that supports the media roll.

non-continuous media Media that contains an indication of where one label/printed format ends and the next one begins. Examples are die-cut labels, notched tag-stock, and stock with black mark registration marks.

non-volatile memory Electronic memory that retains data even when the power to the printer is turned off.

notched media A type of tag stock containing a cutout area that can be sensed as a start-of-label indicator by the printer. This is typically a heavier, cardboard-like material that is either cut or torn away from the next tag. (See *non-continuous media*.)

peel-off A mode of operation in which the printer peels a printed label away from the backing and allows the user to remove it before another label is printed. Printing pauses until the label is removed.

print speed The speed at which printing occurs. For thermal transfer printers, this speed is expressed in terms of ips (inches per second).

printhead wear The degradation of the surface of the printhead and/or the print elements over time. Heat and abrasion can cause printhead wear. Therefore, to maximize the life of the printhead, use the lowest print darkness setting (sometimes called burn temperature or head temperature) and the lowest printhead pressure necessary to produce good print quality. In the thermal transfer printing method, use ribbon that is as wide or wider than the media to protect the printhead from the rough media surface. THIS COMMAND IS NOT FOUND IN ZPL GUIDE.

registration Alignment of printing with respect to the top (vertical) or sides (horizontal) of a label or tag.

roll media Media that comes supplied rolled onto a core (usually cardboard). Contrast this with *fanfold media*.

supplies A general term for media and ribbon.

symbology The term generally used when referring to a bar code.

tag A type of media having no adhesive backing but featuring a hole or notch by which the tag can be hung on something. Tags are usually made of cardboard or other durable material.

tear-off A mode of operation in which the user tears the label or tag stock away from the remaining media by hand.

thermal transfer A printing method in which the printhead presses an ink or resin coated ribbon against the media. Heating the printhead elements causes the ink or resin to transfer onto the media. By selectively heating the printhead elements as the media and ribbon move past, an image is printed onto the media. Contrast this with *direct thermal*.

void A space on which printing should have occurred, but did not due to an error condition such as wrinkled ribbon or faulty print elements. A void can cause a printed bar code symbol to be read incorrectly or not at all.

Index



A

- active control panel buttons, 18
- adhesive test for ribbon coating, 35
- adjustments
 - label left side, 73
 - label top, 73
 - print speed, 75
 - print width, 75
 - printhead pressure, 61
 - reflective sensor, 59
 - tear-off position, 73
- agency approvals, 127
- ALERT light, 20
- APL-D
 - set Module A storage device, 78
 - set Module B storage device, 78
 - setting compatibility mode, 75
 - setting control codes, 76
- APL-I
 - adjust label left position, 73
 - print settings, 77
 - print stored format, 78
 - print stored page, 78
 - set printer resolution, 76
 - status response, 79
- arrow button functions, 19
- auto calibration, 58

B

- bar codes
 - darkness comparison during FEED self test, 117
 - list, 77
- battery disposal, 88
- baud rate, 79
- before you begin setup, 24
- black mark media
 - described, 32
 - specifying, 74

C

- calibration
 - media and ribbon sensors, 85
 - troubleshooting problems, 109
- Canadian DOC compliance, 4
- CANCEL button
 - CANCEL self test, 115
 - function, 19
- CANCEL light, 20
- changing display language, 71
- checklist
 - before you begin, 24
 - troubleshooting, 100
- cleaning
 - cutter module, 97
 - exterior of printer, 89
 - media compartment and sensors, 93
 - peel-off assembly, 94
 - printhead and platen roller, 90
 - recommended cleaning schedule, 89
- command character, 80
- communication interfaces, 27

- communications diagnostics test
 - overview, 121
 - selecting hex dump mode, 81
- communications problems, 110
- components of printer, 21
- configuration
 - changing password-protected parameters, 66
 - viewing printer settings, 68
- configuration label
 - printing from control panel, 68
 - printing using CANCEL self test, 115
- connect printer to computer or network, 28
- connect printer to power source, 30
- contacts, 11
- continuous media
 - described, 33
 - specifying, 74
- control character, 80
- control panel
 - buttons, 18
 - LCD error messages, 101
 - LCD functions, 18
 - lights, 20
 - location, 16
 - overview, 17
 - parameters described, 72
- customer service, 11
- cutter
 - cleaning, 97
 - Cutter Jam** message, 104
 - print mode use described, 38
- Cutter mode
 - loading media, 50

D

- darkness adjustment, 72
- data bits, 79
- data cables, 28
- data source
 - connections, 27
 - site selection, 26
- default values
 - passwords, 66
 - reset network parameters, 82
 - resetting, 82
 - sensor selection, 74
- define password, 132
- defragmenting message, 104
- delimiter character, 81

- density (darkness) adjustment, 72
- diagnostics, 114
- direct thermal mode
 - media scratch test, 34
 - setting through control panel, 83
- display language
 - changing from unreadable language, 112
 - selection, 71
- disposal of printer parts, 88
- download firmware, 22

E

- electronics cover, 16
- emulations, 22
- end user license agreement, 133
- ENTER button function, 19
- enter Setup mode, 64
- EPL parameters
 - density (darkness), 72
 - KDU mode, 75
- error messages, 101
- Error mode, 18
- Ethernet
 - characteristics of internal wired connection, 27
 - characteristics of wireless connection, 27
 - internal wired connection and configuration, 29
 - wireless connection and configuration, 29
- external view of printer, 16

F

- factory defaults, 82
- fanfold media
 - described, 33
- FCC compliance, 4
- FEED button
 - FEED and PAUSE self test, 120
 - FEED self test, 117
 - function, 19
- FEED light, 20
- firmware, 22
- Flash memory initialization, 82
- font list, 77
- formats list, 77

G

- gap/notch, 74
- general specifications, 126

H

handshaking protocol, 80
HEAD COLD message
 cycling with other messages, 102
 displayed alone, 103
 displaying alone, 103
HEAD ELEMENT BAD message, 102
HEAD TOO HOT message, 103
 hex dump mode, 81
 host handshake, 80
 humidity requirements, 26

I

images list, 77
 initialize Flash memory, 82
 inspect for shipping damage, 25
 international safety organization marks, 31

K

KDU mode, 75

L

label length setting, 76
 label removal method, 74
 label sensor positioning, 59
 label top
 position adjustment, 73
 printer cannot detect, 112
 labels did not print, 110
 language
 changing from unreadable language, 112
 language selection
 available languages, 86
 procedure, 71
 LCD messages
 error messages, 101
 leave Setup mode, 64
 left side adjustment, 73
 liability, 2
 license agreement, 133
 Liner Take-Up mode
 description, 38
 load factory defaults, 82
 loading media
 Cutter mode, 50
 Peel-Off mode, 45
 Tear-Off mode, 42
 loading ribbon, 53
 lubrication, 88

M

manual calibration, 58
 media
 black mark, 32
 continuous roll media, 33
 fanfold, 33
 non-continuous roll media, 32
 ordering, 11
 perforated, 32
 specifications, 129
 specify type, 74
 tag stock, 32
 types of media, 32
 web, 32
 media compartment
 cleaning, 93
 components, 21
 media door, 16
 media loading
 Cutter mode, 50
 Peel-Off mode, 45
 Tear-Off mode, 42
 media scratch test, 34
 media sensor
 calibrate, 85
 reflective sensor adjustment, 59
 select sensor type, 74
 sensor profile, 84
 transmissive sensor location, 59
 MENU button function, 19

N

navigation through parameters, 64
 network configuration label, 68
 network parameter defaults, 82
 non-continuous media
 described, 32
 specifying, 74

O

operating conditions, 26
 Operating mode, 18
 ordering replacement parts, 88
 ordering ribbon and media, 11
 override ZPL commands, 83

P

parallel port
 characteristics of parallel connection, 27
 connection and configuration, 28
 setting parallel communications, 78

parity, 79

password
 defaults, 66
 define via ZPL, 132
 level 1 and 2 parameters, 72
 level 3 parameters, 77

PAUSE button
 FEED and PAUSE self test, 120
 function, 19
 PAUSE self test, 116

PAUSE light, 20

Pause mode, 18

Peel-Off mode
 cleaning peel-off assembly, 94
 loading media, 45
 media path, 39
 print mode use described, 38
 selecting label removal method, 74

perforated media
 described, 32

position label sensor, 59

power
 connect to power source, 30
 power cord specifications, 31
 site selection, 26

POWER light, 20

Power-On Self Test (POST), 114

print configuration label
 CANCEL self test, 115
 from control panel, 68

print darkness adjustment, 72

print modes
 described, 38
 media paths, 38
 specify label removal method, 74

print position adjustment, 73

print quality
 troubleshooting, 106

print rate, 75

print server
 characteristics of internal wired connection, 27
 characteristics of wireless connection, 27
 viewing network settings, 68

print speed adjustment, 75

print width adjustment, 75

printer components, 21

printer diagnostics, 114

printer interior, 21

printer language modes, 22

printer modes, 18

printer options
 described, 38
 media paths, 38

printer passwords, 66

printer resolution for APL-I, 76

printhead
 cleaning, 90
 faulty thermistor, 102
 pressure adjustment, 61

printing specifications, 128

product markings, 127

R

Real-Time Clock (RTC)
 set date, 81
 set time, 82

recycling printer parts, 88

reflective sensor
 adjustments, 59
 selecting, 74

registration problems, 109

relative humidity requirements, 26

removal method for labels, 74

remove used ribbon, 57

replacement parts, 88

report shipping damage, 25

reset factory defaults, 82

reset network parameters, 82

ribbon
 adhesive test, 35
 determining coated side, 34
 loading, 53
 ordering, 11
 removing, 57
 scratch test, 35
 setting printer for use, 83
 specifications, 130
 when to use, 34

RIBBON IN message, 102

ribbon sensor
 calibration, 85

ribbon sensor calibration, 85

roll media
 described, 32

routine cleaning schedule, 89

S

- sales, 11
- saving changes to parameters, 64
- scratch test
 - media type, 34
 - ribbon coated side, 35
- self tests, 114
 - CANCEL, 115
 - communications diagnostics, 121
 - FEED, 117
 - FEED and PAUSE, 120
 - PAUSE, 116
 - Power-On Self Test (POST), 114
- sensors
 - calibrate, 85
 - cleaning, 93
 - interpreting sensor profile, 122
 - media sensor profile, 84
 - reflective, 59
 - select sensor type, 74
 - transmissive sensor location, 59
- serial port
 - characteristics of serial connection, 27
 - connection and configuration, 28
- setting passwords, 66
- setup
 - checklist, 24
 - unpack the printer, 25
- Setup mode
 - defined, 18
 - entering and leaving, 64
- shipping
 - report damage, 25
 - reshipping the printer, 25
- spacing requirements, 26
- specifications
 - agency approvals and markings, 127
 - general, 126
 - media, 129
 - power cord, 31
 - printing, 128
 - ribbon, 130
- specify media type, 74
- speed adjustments, 75
- storing the printer, 25
- surface for the printer, 26

T

- tag stock
 - described, 32
 - specifying, 74
- Tear-Off mode
 - adjust tear-off position, 73
 - loading media, 42
 - media path, 38
 - print mode use described, 38
 - selecting label removal method, 74
- technical support, 11
- temperature requirements, 26
- thermal transfer mode
 - media scratch test, 34
 - setting through control panel, 83
- THERMISTOR FAULT** message
 - cycling with other messages, 102
 - displayed alone, 102
- top of label
 - adjust label top, 73
 - printer cannot detect, 112
- transmissive sensor
 - location, 59
 - selecting, 74
- troubleshooting
 - checklist, 100
 - communications problems, 110
 - diagnostic tests, 114
 - LCD error messages, 101
 - print quality problems, 106
- types of media
 - black mark media, 32
 - continuous roll media, 33
 - fanfold media, 33
 - non-continuous roll media, 32
 - perforated media, 32
 - tag stock, 32
 - web media, 32

U

- unpack the printer, 25
- USB port
 - characteristics of USB connection, 27
 - connection and configuration, 28

W

- web media described, 32
- wired print server
 - characteristics, 27
 - internal wired connection and configuration, 29
- wireless cards, 28
- wireless print server
 - characteristics, 27
 - connection and configuration, 29
 - viewing network settings, 68

Z

- Zebra Programming Language (ZPL)
 - ^KP, define password, 132
 - command character, 80
 - control character, 80
 - delimiter character, 81
 - override certain commands, 83



Zebra Technologies International, LLC

333 Corporate Woods Parkway
Vernon Hills, Illinois 60061.3109 U.S.A
T: +1 847 793 2600
Toll-free +1 800 423 0422
F: +1 847 913 8766

Zebra Technologies Europe Limited

Dukes Meadow
Millboard Road
Bourne End
Buckinghamshire, SL8 5XF, UK
T: +44 (0)1628 556000
F: +44 (0)1628 556001

Zebra Technologies Asia Pacific, LLC

120 Robinson Road
#06-01 Parakou Building
Singapore 068913
T: +65 6858 0722
F: +65 6885 0838

<http://www.zebra.com>