

English

-A-

- 1 LCD Display
- 2 FEED Button
- 3 PAUSE Button
- 4 CANCEL Button
- 5 Front Access Door
- 6 Top Access Door

-B-

- 1 Parallel Port
- 2 USB Type B
- 3 RS232 Serial
- 4 Power Switch(O=Off, I=On)
- 5 AC power connector
- 6 Ethernet
- 7 USB Type A
- 8 Wi-Fi
- 9 GPIO

-C-

- 1 Ribbon Pick-up Spindle
- 2 Ribbon Supply Spindle
- 3 Media Supply Spindle
- 4 Feed Slot
- 5 Thermal Print Head

-D-

- 1 Thermal Print Head
- 2 Head Latch
- 3 Paper Sensor Guide
- 4 Paper Roller

繁體中文

-A-

- 1 LCD 液晶螢幕
- 2 送紙鍵
- 3 暫停按鈕
- 4 取消鍵
- 5 前側擋板
- 6 上側擋板

-B-

- 1 並列埠
- 2 USB 埠 Type B
- 3 RS232 串列埠
- 4 電源開關 (O=Off, I=On)
- 5 AC 電源連接器
- 6 乙太網路埠
- 7 USB 埠 Type A
- 8 Wi-Fi
- 9 GPIO

-C-

- 1 碳帶回收軸
- 2 碳帶供應軸
- 3 紙捲供應端
- 4 進紙口
- 5 印字頭

-D-

- 1 印字頭
- 2 門擋扣
- 3 紙張感測器
- 4 滾軸

简体中文

-A-

- 1 液晶显示器
- 2 FEED 进纸键
- 3 暂停按钮
- 4 取消按钮
- 5 前侧挡板
- 6 上侧挡板

-B-

- 1 并口
- 2 USB 口 Type B
- 3 RS232 串口
- 4 电源开关 (O=Off, I=On)
- 5 AC 电源连接器
- 6 以太网端口
- 7 USB 口 Type A
- 8 Wi-Fi
- 9 GPIO

-C-

- 1 碳带回收轴
- 2 碳带供应轴
- 3 纸卷供应轴
- 4 喂纸槽
- 5 打印头

-D-

- 1 打印头
- 2 门挡扣
- 3 纸张传感器
- 4 滚轴

Español

-A-

- 1 Pantalla LCD
- 2 Boton Alimentacion
- 3 Boton PAUSE
- 4 Boton Cancelacion
- 5 Acceso de la puerta delantera
- 6 Acceso de la puerta superior

-B-

- 1 Paralelo
- 2 USB Type B
- 3 Serial RS232
- 4 Interruptor de encendido (O = Off, I = On)
- 5 Conector de alimentacion AC
- 6 Ethernet
- 7 USB Type A
- 8 Wi-Fi
- 9 GPIO

-C-

- 1 Eje adopcion ribbon
- 2 Fuso de Provision de Ribbon
- 3 Soporte para suministro de papel
- 4 Ranura de Alimentacion
- 5 Cabezal Termica

-D-

- 1 Cabezal Termica
- 2 Cierre
- 3 Guia de Papel
- 4 Rodillo arrastre

Français

-A-

- 1 Affichage LCD
- 2 Feed Button
- 3 Bouton de PAUSE
- 4 Bouton d'annuler
- 5 Panneau de devant
- 6 Panneau principal

-B-

- 1 Parallele
- 2 USB Type B
- 3 Serial RS232
- 4 Power switch (O = Off, I = On)
- 5 Connecteur de pouvoir (AC)
- 6 Ethernet
- 7 USB Type A
- 8 Wi-Fi
- 9 GPIO

-C-

- 1 Fuseau de Ruban reprise
- 2 Mediaspindel Karbonbandabrollspindel
- 3 Papier de rouleau de support
- 4 Support pour provision de papier
- 5 Tête d'Empreinte Thermique

-D-

- 1 Tête d'Empreinte Thermique
- 2 Verrou de tête
- 3 Guide de Capteur de Papier
- 4 Rouleau

Deutsch

-A-

- 1 LCD-Display
- 2 Vorschub Taste
- 3 Pause Taste
- 4 Abbruch Taste
- 5 Vordere Zugangsklappe
- 6 Obere Zugangsklappe

-B-

- 1 Paralleler Anschluss
- 2 USB Type B
- 3 RS232 seriell
- 4 Netzschalter (O = AUS, I = AN)
- 5 Netzteil-Anschluss
- 6 Ethernet
- 7 USB Type A
- 8 Wi-Fi
- 9 GPIO

-C-

- 1 Karbonbandaufnahmespindel
- 2 Mediaspindel Karbonbandabrollspindel
- 3 Etikettenrollenhalter
- 4 Vorschub Slot
- 5 Thermo Duckkopf

-D-

- 1 Thermal Druckkopf
- 2 Sprengring
- 3 Etikettenführung
- 4 Andruckrolle

Português

-A-

- 1 Display LCD
- 2 Botão de Feed
- 3 Botão de pausa
- 4 Botão de cancelar
- 5 Porta de acesso fronteiro
- 6 Porta de acesso acima

-B-

- 1 Paralela
- 2 USB Type B
- 3 Serial RS232
- 4 Interruptor (O= Desligar, I = Ligar)
- 5 Corrente de Adaptador.
- 6 Ethernet
- 7 USB Type A
- 8 Wi-Fi
- 9 GPIO

-C-

- 1 Enrolador de Filme
- 2 Suporte do rolo de filme
- 3 Suporte do rolo de papel
- 4 Abertura de entrada de papel
- 5 Cabeça de impressão

-D-

- 1 Cabeça de impressão
- 2 Trinco
- 3 Guia do papel
- 4 Rolo de tração

Italia

-A-

- 1 Display LCD
- 2 Pulsante salto etichetta
- 3 Pulsante PAUSA
- 4 Pulsante CANCELLA
- 5 Pannello accesso frontale
- 6 Pannello accesso principale

-B-

- 1 Porta Parallela
- 2 USB girişi B tipi
- 3 Seriale RS232
- 4 Interruttore accensione (O = Off, I = On)
- 5 Connettore di alimentazione AC
- 6 Ethernet
- 7 USB Type A
- 8 Wi-Fi
- 9 GPIO

-C-

- 1 Supporto avvolgimento nastro carbonografico
- 2 Supporto svolgimento nastro carbonografico
- 3 Supporto rotolo carta
- 4 Sportello posteriore
- 5 Testina Termica

-D-

- 1 Testina Termica
- 2 Chiusura Testina
- 3 Sensore Guida Carta
- 4 Rullo stampa

Türkçe

-A-

- 1 LCD ekran
- 2 İlerletme düğmesi
- 3 Bekletme Düğmesi
- 4 İptal Düğmesi
- 5 Ön giriş kapağı
- 6 Üst giriş kapağı

-B-

- 1 Paralel Port
- 2 USB girişi B tipi
- 3 Seri Port Girişi
- 4 Açma/Kapatma Düğmesi
- 5 Connettore di alimentazione AC
- 6 Ethernet
- 7 USB Type A
- 8 Wi-Fi
- 9 GPIO

-C-

- 1 Ribbon toplama tutamacı
- 2 Ribon kaynağı tutamacı
- 3 Etiket kaynak cubuğu
- 4 Harici Etiket Besleme Yuvası
- 5 Termal Kafa

-D-

- 1 Termal Kafa
- 2 Kafa mandali
- 3 Etiket sensor tutamacı
- 4 Kağıt silindir

Russian

-A-

- 1 LCD дисплей
- 2 Кнопка подачи ленты
- 3 Кнопка "Пауза"
- 4 Кнопка "Отмена"
- 5 Передняя крышка
- 6 Верхняя крышка

-B-

- 1 Параллельный (LPT) порт
- 2 Порт USB типа B
- 3 Порт RS-232
- 4 Кнопка включения (O=выключено, I=включено)
- 5 Разъем подключения электропитания (сетевого кабеля)
- 6 Порт Ethernet
- 7 Порт USB типа A
- 8 Wi-Fi
- 9 GPIO

-C-

- 1 Ось приемной катушки риббона
- 2 Ось катушки подачи риббона
- 3 Ось катушки подачи этикетленты
- 4 Лоток подачи ленты
- 5 Печатающая головка

-D-

- 1 Печатающая головка
- 2 Зашелка печатающего механизма
- 3 Направляющая датчика этикетки
- 4 Прижимной вал

Bahasa Indonesia

-A-

- 1 Layer LCD
- 2 Tombol Maju
- 3 Tombol Tunda
- 4 Tombol Batal
- 5 Depan Pintu Akses
- 6 Atas Pintu Akses

-B-

- 1 Port Paralel
- 2 USB Type B
- 3 Serial
- 4 Saklar Power (O=Mati, I=Hidup)
- 5 Konektor Power AC
- 6 Ethernet
- 7 USB Type A
- 8 Wi-Fi
- 9 GPIO

-C-

- 1 Kumparan Pengangkat Pita/Ribbon
- 2 Kumparan Pemasuk Pita/Ribon
- 3 Kumparan Pemasuk Media/Bahan
- 4 Slot Maju
- 5 Print Head Thermal

-D-

- 1 Print Head Thermal
- 2 Kepala Kait
- 3 Panduan Sensor Kertas
- 4 Penggulung Kertas

The user is cautioned that any changes or modifications not recommended by Argox Information Co. Ltd. could result in the loss of the user's authority to operate the equipment. To ensure compliance, the users must use accessories and peripherals approved by Argox Information Co. Ltd.



Supplemental Information: This device complies with the requirement of FCC Part 15 Rules. Operation is subject to the following two Conditions:
 (1) This device may not cause harmful interference and
 (2) this device must accept any interference received, including interference that may cause undesired operation.

INDUSTRY CANADA NOTICE:

This device complies with Industry Canada ICES-003 class A requirements. Cet équipement est conforme a ICES-003 classe A de la norm Industrielle Canadian.



EMC: EN 55032:2012/AC:2013 Class A
 EN 55024:2010



Argox Information Co., Ltd certifies that the following products and/or components are compliant with the current requirements of the European Union Restriction on the use of Hazardous Substances (RoHS) Directive, 2011/65/EU.

警告使用者：
 這是甲類的資訊產品，在居住的環境中使用時，可能會造成射頻干擾，在這種情況下，使用者會被要求採取某些適當的對策。

CAUTION: RISK OF EXPLOSION IF BATTERY IS REPLACED BY AN INCORRECT TYPE. DISPOSE OF USED BATTERIES ACCORDING TO THE INSTRUCTIONS.

ATTENTION: RISQUE D'EXPLOSION SI LA BATTERIE EST REMPLACÉE PAR UN MODÈLE INCORRECT. JETEZ LES BATTERIES USAGÉES SELON LES INSTRUCTIONS SY REFERANT.

Argox Information Co., Ltd.

7F., No.126, Ln.235, Baoqiao Rd., Xindian Dist.,
 New Taipei City 231, Taiwan (R.O.C.)
 Tel: +886-2-8912-1121 Fax: +886-2-8912-1124

<https://www.argoxx.com>

<https://www.youtube.com/user/argoxxmkt>

email:service@argoxx.com

Copyright © 2019. Argox Information Co.Ltd., All Rights Reserved.

設備名稱 / 印表機 Equipment name	型號 (型式) : i04-250 (系列型號如下) Type designation (Type)					
	限制物質及其化學符號 Restricted substances and its chemical symbols					
單元 Unit	鉛Lead (Pb)	汞Mercury (Hg)	鎘Cadmium (Cd)	六價鉻Hexavalent chromium (Cr ^{VI})	多溴聯苯Polybrominated diphenyls (PBDS)	多溴二苯醚Polybrominated diphenyl ether (PBDE)
印刷電路板組件	—	○	○	○	○	○
紙殼	—	○	○	○	○	○
線材	○	○	○	○	○	○
塑膠器	—	○	○	○	○	○
印字頭模組	—	○	○	○	○	○

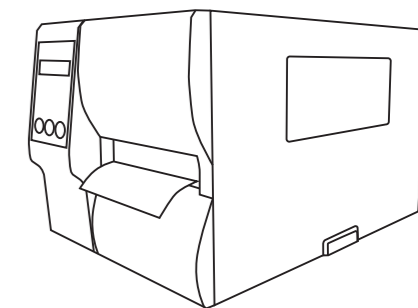
備考 1. "超出0.1 wt%" 及 "超出0.01 wt%" 係指限制物質之百分比含量超出百分比含量基準值。
 Note 1. "Exceeding 0.1 wt%" and "exceeding 0.01 wt%" indicate that the percentage content of the restricted substance exceeds the reference percentage value of presence condition.
 備考 2. "○" 係指該項限制物質之百分比含量未超出百分比含量基準值。
 Note 2. "○" indicates that the percentage content of the restricted substance does not exceed the percentage of reference value of presence.
 備考 3. "—" 係指該項限制物質為排除項目。
 Note 3. The "-" indicates that the restricted substance corresponds to the exempted item.

iX4-200, iX4-240, iX4-250, iX4-280, iX4-290,
 iX4-300, iX4-340, iX4-350, iX4-380, iX4-390



iX4-Series Printers Quick Installation Guide

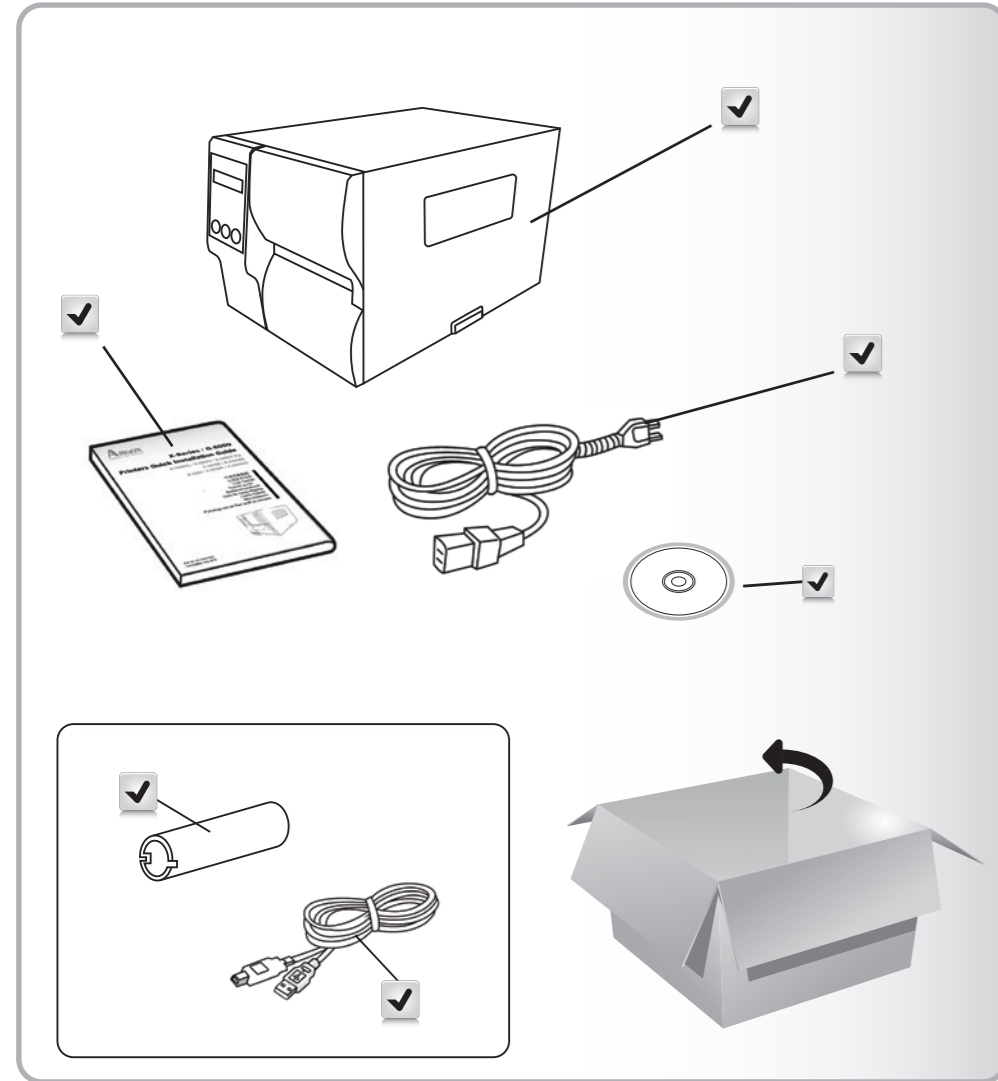
快速安裝指南
 快速安裝指南
 Guía Rápida
 Rapide guide
 Bedienerhandbuch
 Guia de Ajuda Rápida
 Guida Rapida
 Mini Kilavuzu
 Руководство по быстрой установке
 Pedoman Penginstalan Cara Cepat
 Hızlı Kurulum Kilavuzu



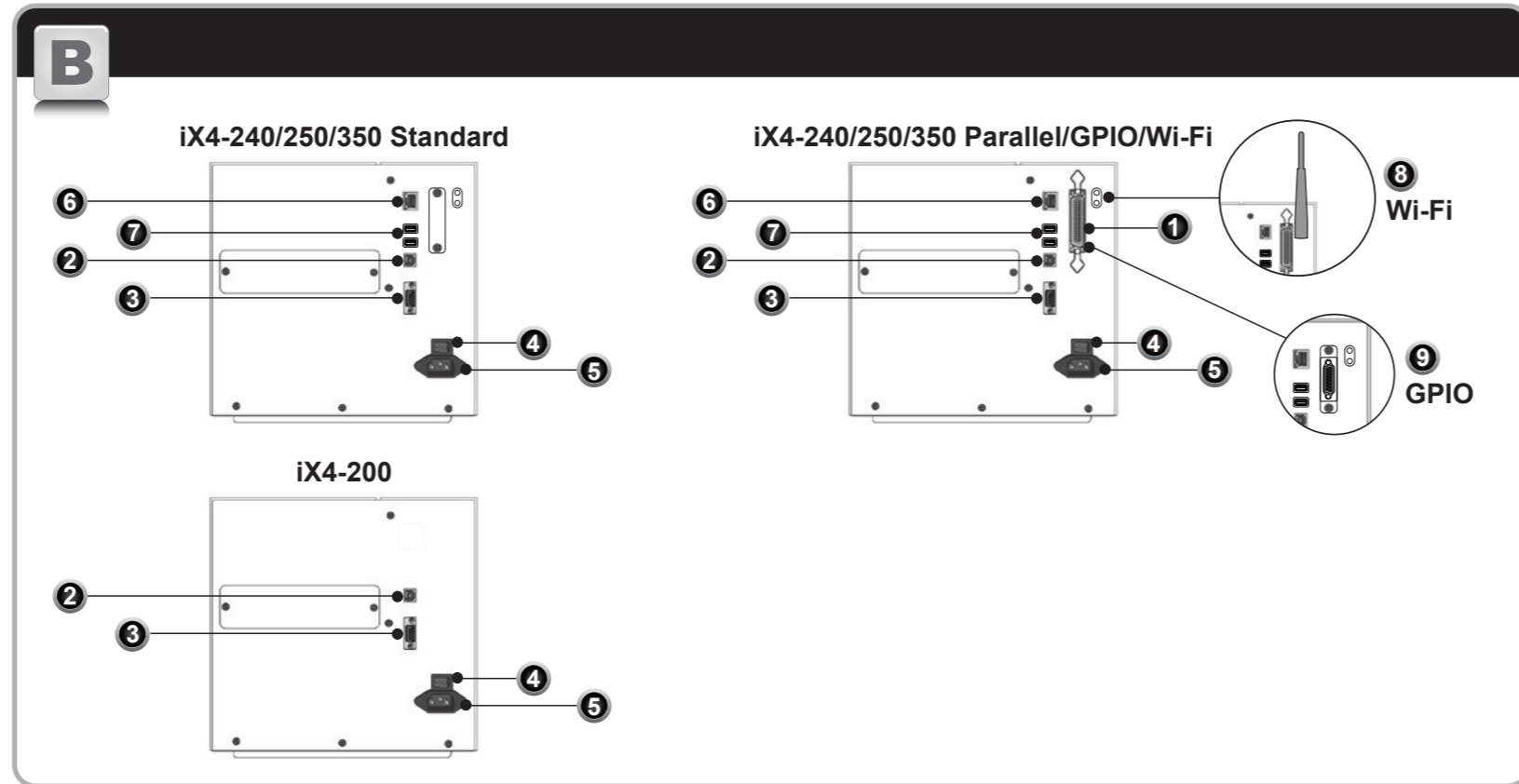
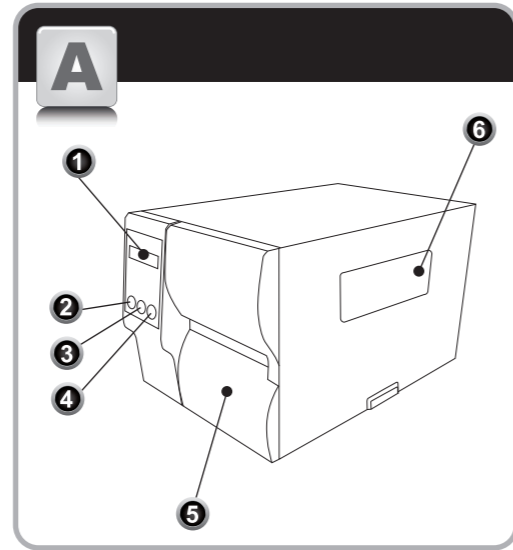
Part No: 49-IX401-003

Revision Date: Nov. 2019

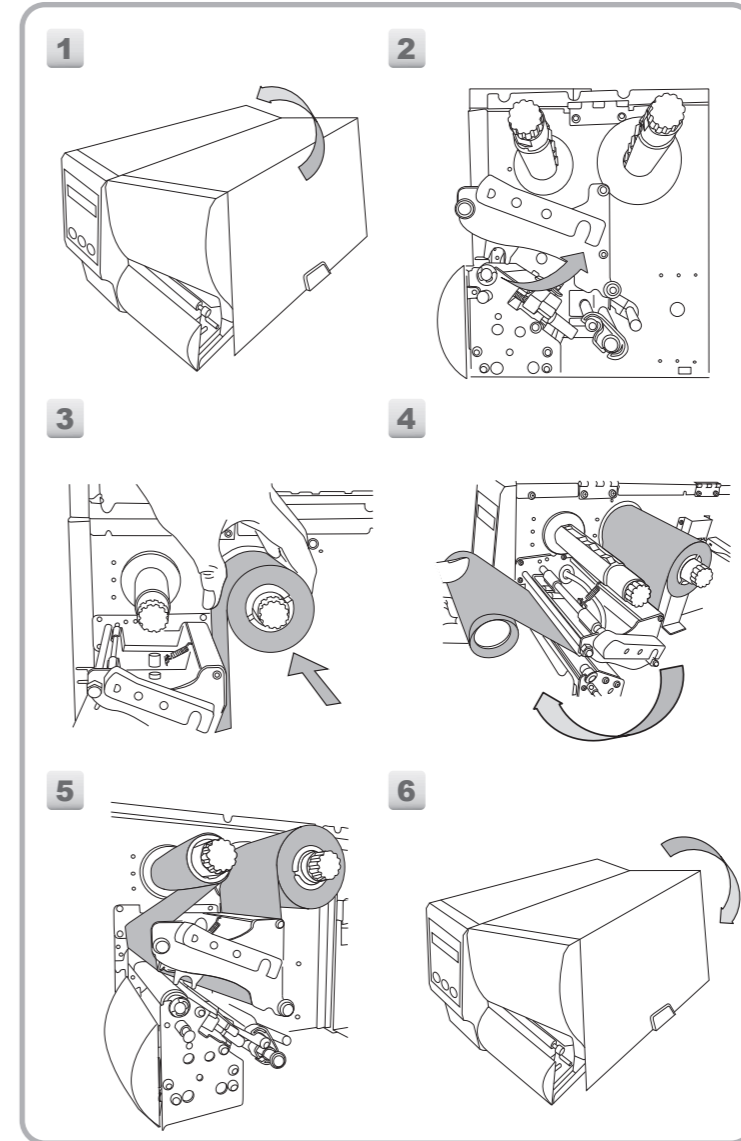
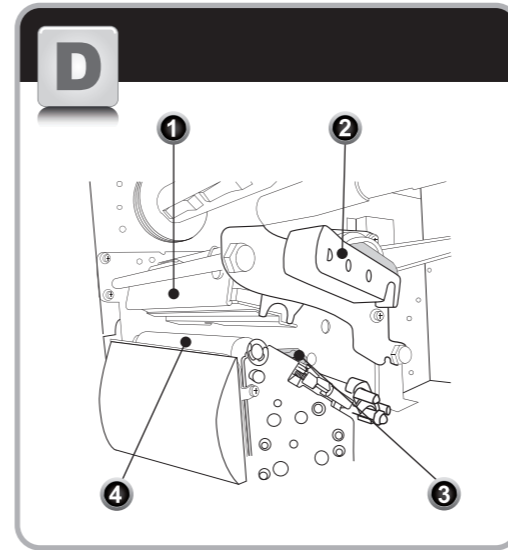
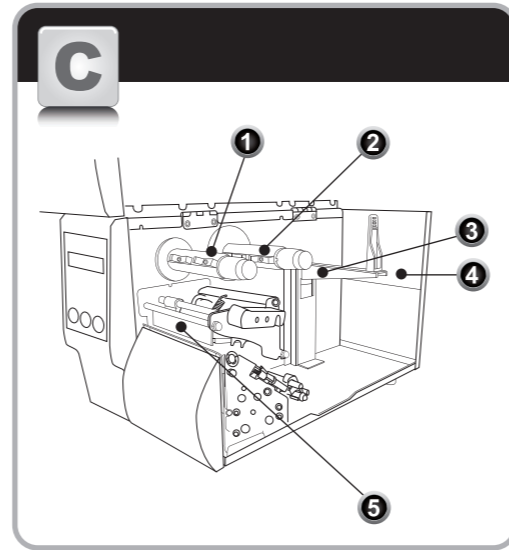




1

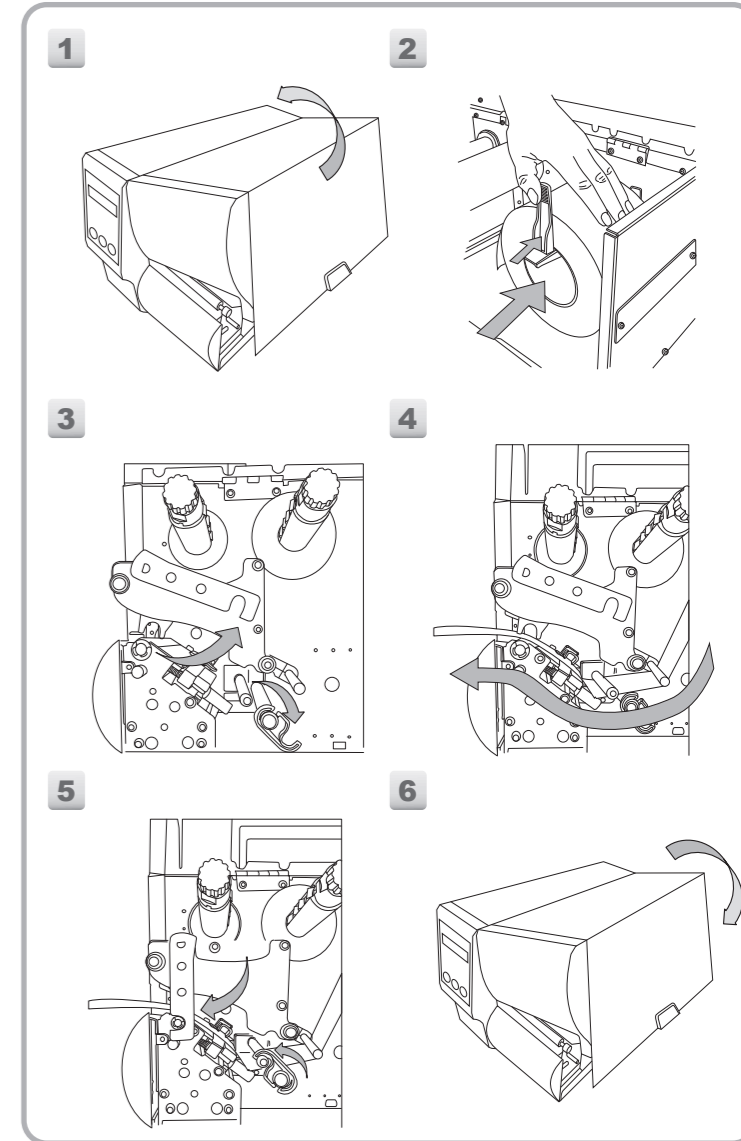


2



3

Loading Ribbon
 碳帶安裝
 碳帶安裝
 Instalación de cinta
 Chargement de ruban
 Laden des druckbandes
 Instalação de ribbon
 Caricamento nastro
 Ribon takma
 Установка риббона
 Pasang Pita/Ribbon
 Ribon Takma



4

Loading Media
 紙捲安裝
 紙卷安裝
 Instalación de papel
 Chargement de papier
 Laden des labelmaterials
 Instalação de etiquetas
 Caricamento carta
 Ribon takma
 Установка этикет-ленты
 Pasang Bahan/Media
 Etiket Takma