



Compact Printer User Manual

CP-2240
CP-2240Z



<http://www.argox.com>
service@argox.com

V1.2-11-12-2017

Liability Disclaimer

Argox Corporation takes steps to assure that the company's published engineering specifications and manuals are correct; however, errors do occur. Argox reserves the right to correct any such errors and disclaims any resulting liability. In no event shall Argox or anyone else involved in the creation, production, or delivery of the accompanying product (including hardware and software) be liable for any damages whatsoever (including, without limitation, damages for loss of business profits, business interruption, loss of business information, or other pecuniary loss) arising out of the use of or the results of use of or inability to use such product, even if Argox has been advised of the possibility of such damages.

FCC Compliance Statement

This equipment has been tested and found to comply with the limits for a Class A digital device, pursuant to Part 15 of the FCC Rules. These limits are designed to provide reasonable protection against harmful interference in a residential installation. This equipment generates, uses, and can radiate radio frequency energy and, if not installed and used in accordance with the instructions, may cause harmful interference to radio communications. However, there is no guarantee that the interference will not occur in a particular installation. If this equipment does cause harmful interference to radio or television reception, which can be determined by turning the equipment off and on, the user is encouraged to try to correct the interference by the following measures:

Reorient or relocate the receiving antenna.

Increase the separation between the equipment and the receiver.

Connect the equipment into a different outlet on a different circuit.

Consult the dealer or an experienced Radio/TV technician for help.

This unit was tested with shielded cables on the peripheral devices. Shielded cables must be used with the unit to insure compliance. The user is cautioned that any changes or modifications not expressly approved by Argox Information Co., Ltd. could void the user's authority to operate the equipment.

Caution

Any changes or modifications not expressly approved by the party responsible for compliance could void the user's authority to operate the equipment.

This is a Grade A product. In living environment, the product may cause interference to radio communications. In this case, the user is encouraged to try to correct the interference by effective measures.



This product can only be used under 2000 meters above sea level.

All rights reserved. Copyright © 2015 Argox Information Co., Ltd

Contents

1	Introduction	1
1.1	Features.....	1
1.2	Unpacking.....	2
1.3	Understand your printer	4
1.3.1	Perspective view	4
1.3.2	Back view	5
1.3.3	Interior view I	6
1.3.4	Interior view II	7
1.4	Printer lights.....	8
1.4.1	Status lights.....	8
2	Get started	9
2.1	Attach the power cord	9
2.2	Turn on/off your printer	10
2.2.1	Turn on your printer.....	10
2.2.2	Turn off your printer	11
2.3	Load media.....	12
2.3.1	Prepare media.....	12
2.3.2	Placing media roll.....	13
2.3.3	Test media feed	16
2.3.4	Media types	17
2.4	Loading Ribbon.....	19
2.4.1	Preparing Ribbon	19
2.4.2	Placing Ribbon Roll.....	20
3	Printer operation.....	24
3.1	Printing Media Calibration & Configuration	24
3.2	Reset your printer	26
3.3	Media sensing	27
3.3.1	Transmissive sensor	27
3.3.2	Reflective sensor	28
3.4	Communications	29
3.4.1	Interfaces and Requirements.....	29
3.5	Driver installation.....	31
3.5.1	Installing a Plug and Play printer driver (for USB only)	32
3.5.2	Installing a Printer Driver (for other interfaces except USB).....	38
4	Maintenance	44
4.1	Cleaning.....	44

4.1.1	Printhead.....	44
4.1.2	Sensor.....	46
4.1.3	Platen Roller	47
5	Troubleshooting	48
5.1	Printer issues	48
5.2	Media issues.....	49
5.3	Ribbon issues.....	50
5.4	Other issues.....	51
6	Specifications	52
6.1	Printer.....	52
6.1.1	Fonts, Barcodes, and Graphics Specification	54
6.2	Media & Ribbon	57
6.3	Bar codes.....	58
6.4	Electrical and operating environment.....	60
6.5	Physical dimension	60
6.6	Interfaces.....	61
6.6.1	USB	61
6.6.2	RS-232C.....	62
6.6.3	Centronics	63

1 Introduction

Thank you for purchasing an Argox CP-2240 printer. This manual provides information about how to set up and operate your printer, load the media and solve common problems.

1.1 Features

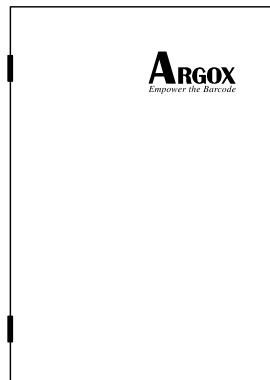
- **Fast Print Speed** The print speed is up to 7 inches/sec.
- **Media** 6'' max. internal media roll capacity with compact size.
- **Ribbon** Ribbon wound ink-side out & ink-side in available.
- **Sensor** Twin-sensor system for diverse media types.
- **Maintenance** Tool-free print head & roller.
- **operation space** Easy media and ribbon loading with big operation space.
- **Accessories** Increase your productivity with accessories: full cutter, partial cutter and peeler.

1.2 Unpacking

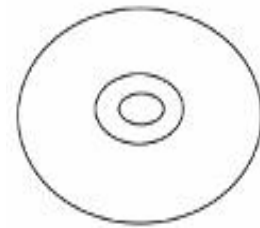
Make sure all of the following items are included in your package.



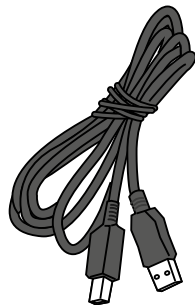
Printer



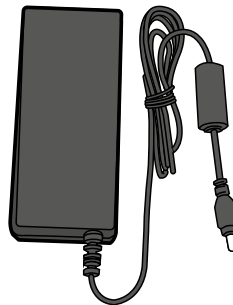
Quick Installation
Guide



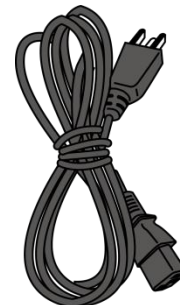
DVD



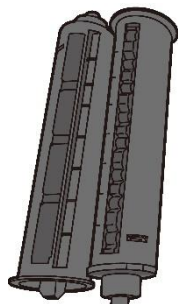
USB Cable



Power Supply



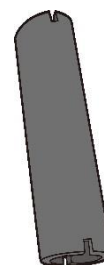
AC Power Cord



Ribbon Core Adaptors



Media Hanger &
Media Shields



1" ID Core for Ribbon

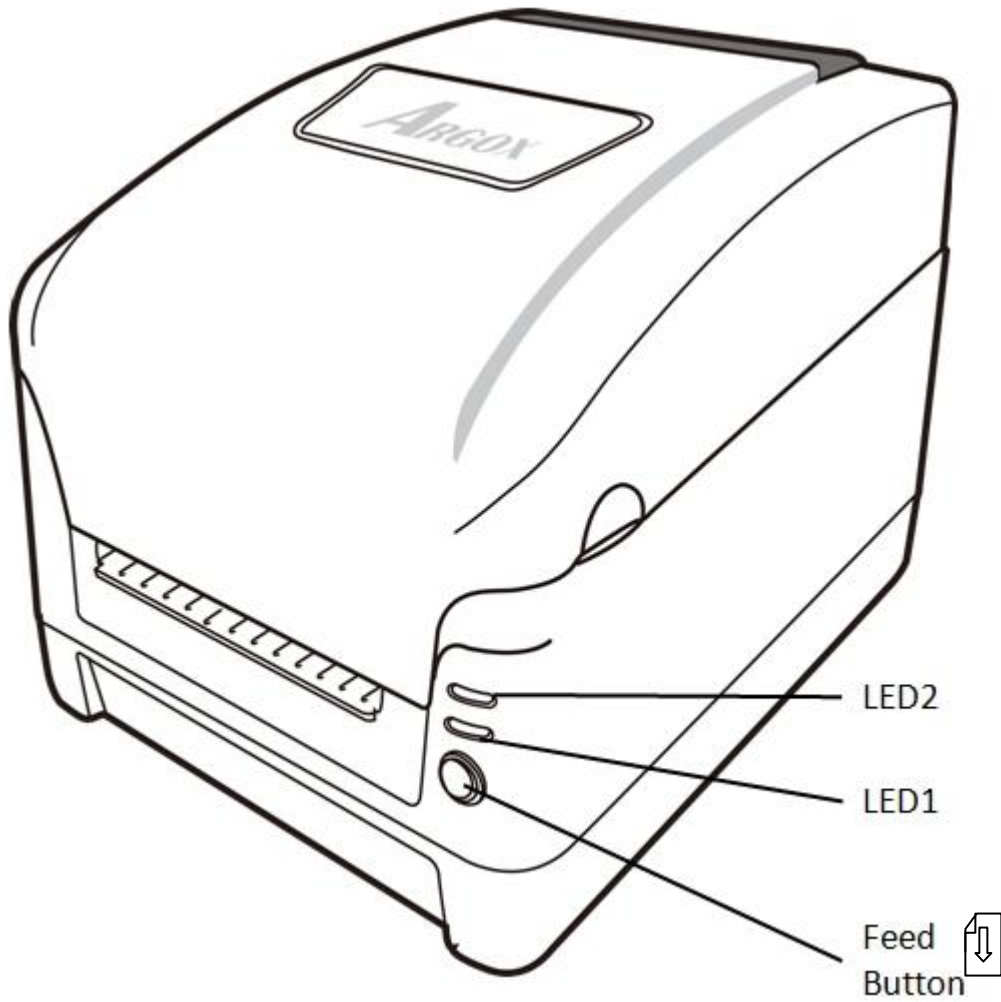
When you receive the printer, open the package immediately and inspect for shipping damage. If you discover any damage, contact the shipping company and file a claim. Argox is not responsible for any damage incurred during shipping. Save all package materials for the shipping company to inspect.



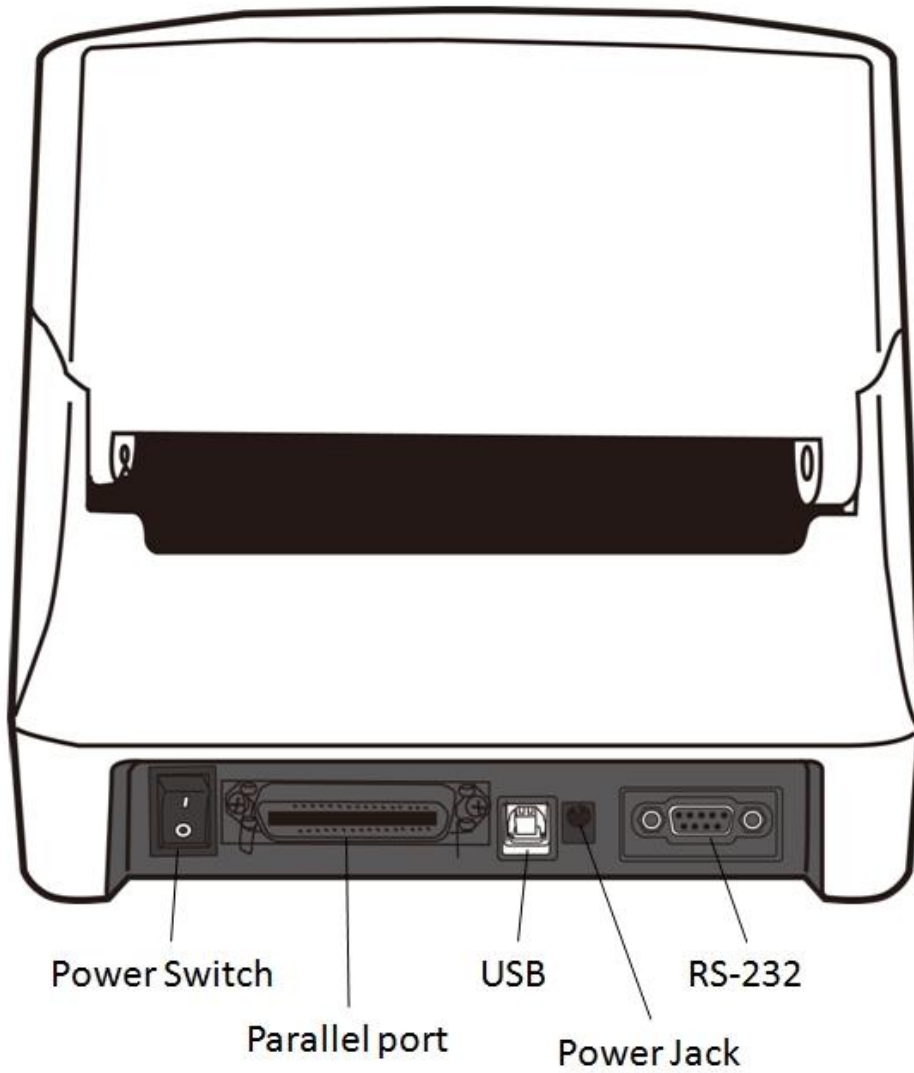
Note If any item is missing, please contact your local dealer.

1.3 Understand your printer

1.3.1 Perspective view

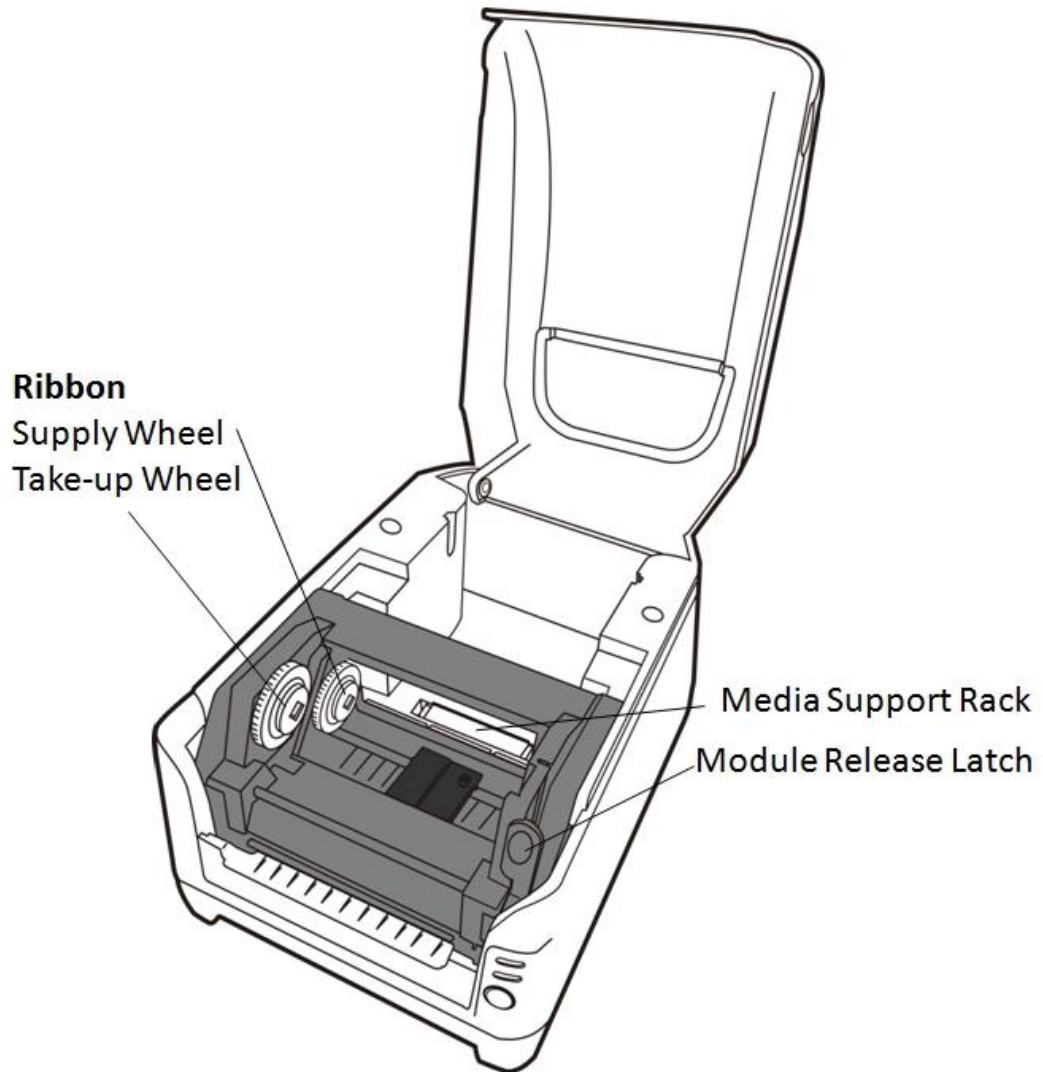


1.3.2 Back view

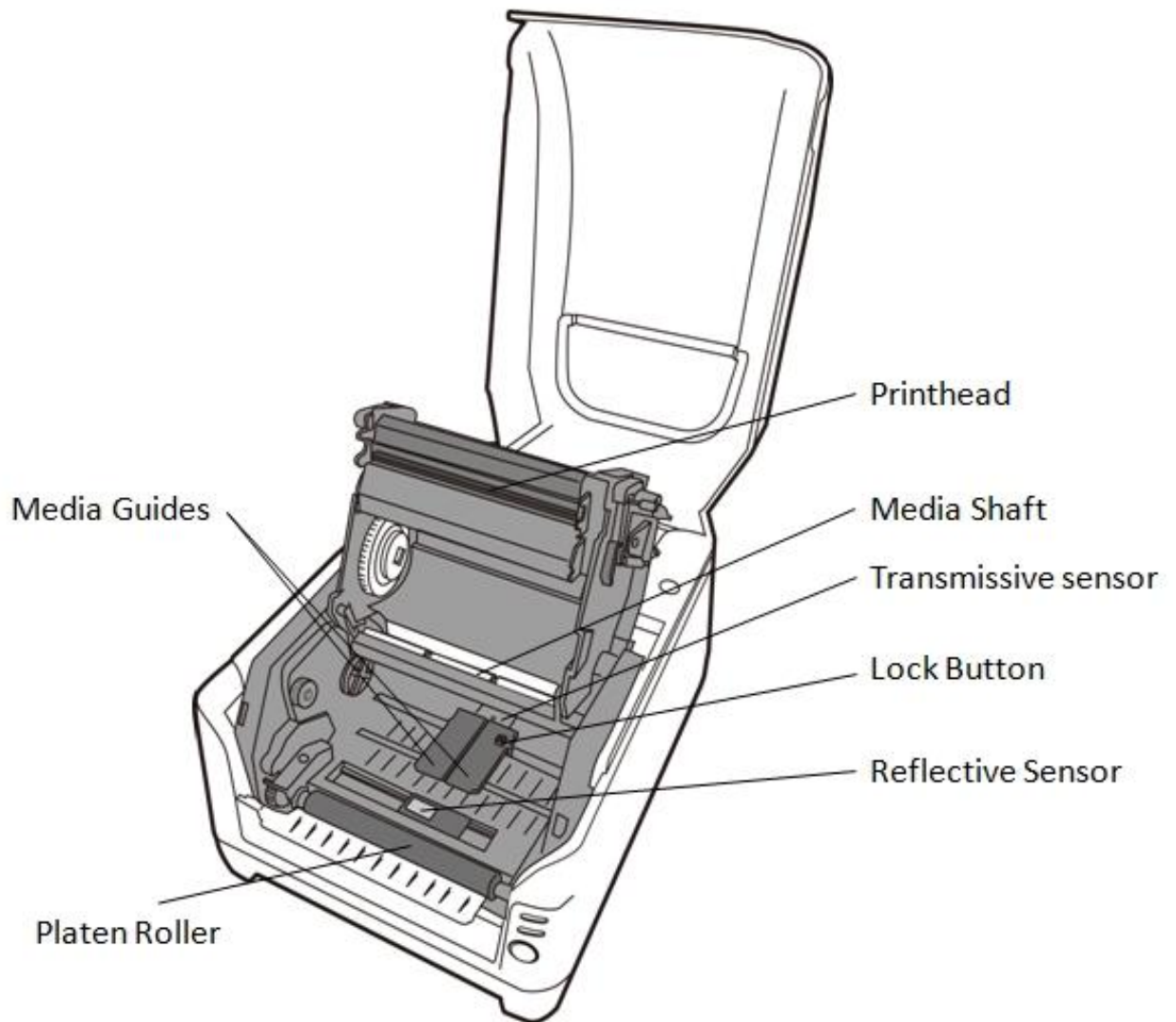


Caution To avoid injury, be careful not to trap your fingers in the Paper Slot while opening or closing the Top Cover.

1.3.3 Interior view I



1.3.4 Interior view II



Warning The printhead becomes very hot during printing. Do not touch the printhead or touch around it directly after printing. By doing so you may get burnt.

1.4 Printer lights

There are two LED lights that show the status of your printer.

1.4.1 Status lights

Status lights help you check printer's condition. The following tables show the status lights and the conditions they indicate.

LED 1	LED 2	Description
ON	ON	In the ready mode
		Media sensor cannot index label gaps
Flash at same time		Media out
		Paper jam
Flash at different time		Ribbon out
		Serial IO error
ON	Flash	Cutter has failed, or there is paper jam inside the cutter.
		Other possible hardware errors.
		Print head needs to cool down.
Flash	ON	Printer head module unlatched
		Printer is in PAUSE status
		Printer is receiving data

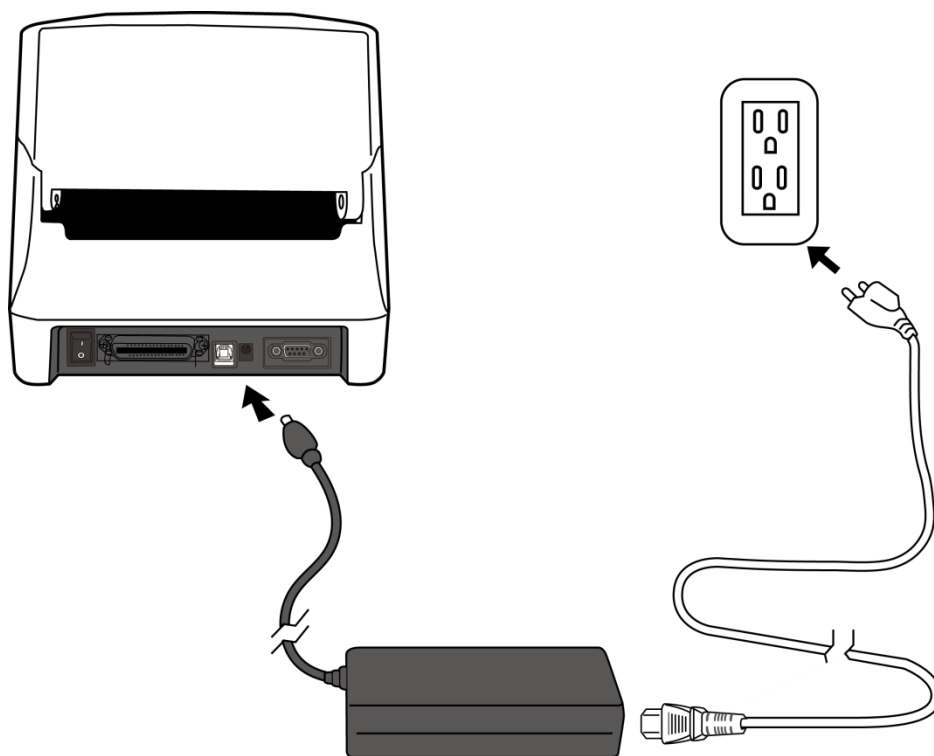
2 Get started

This chapter describes how to set up your printer.

2.1 Attach the power cord

1. Make sure the power switch is set to the **OFF** position.
2. Insert the power supply's connector into the printer power jack.
3. Insert the AC power cord into the power supply.
4. Plug the other end of the AC power cord into the wall socket.

Important Use only power supplies listed in the user instructions.



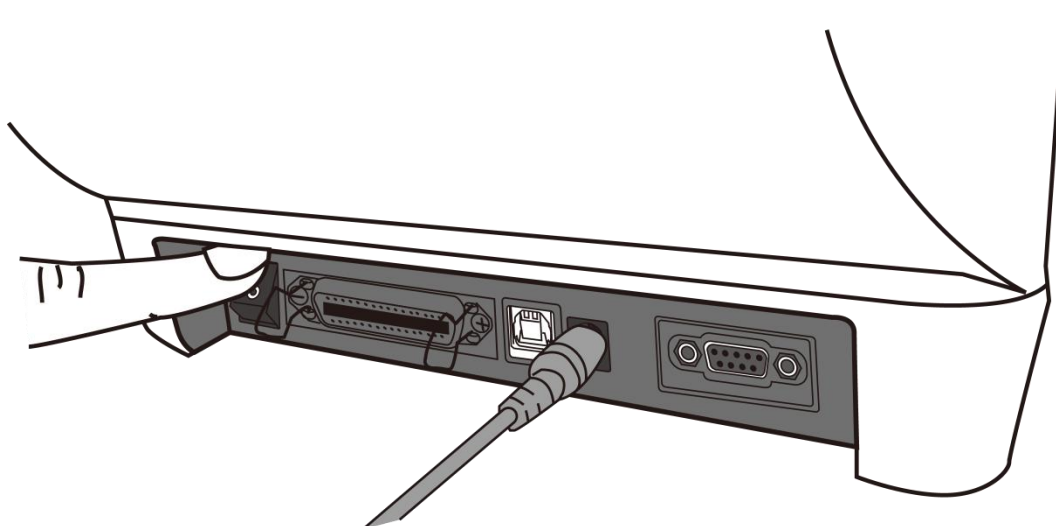
Warning Do not plug the AC power cord with wet hands, or operate the printer and the power supply in an area where they may get wet. Serious injury may result from these actions!

2.2 Turn on/off your printer

When your printer is connected to a host (a computer), it is good to turn on the printer before turning on the host, and turn off the host before turning off the printer.

2.2.1 Turn on your printer

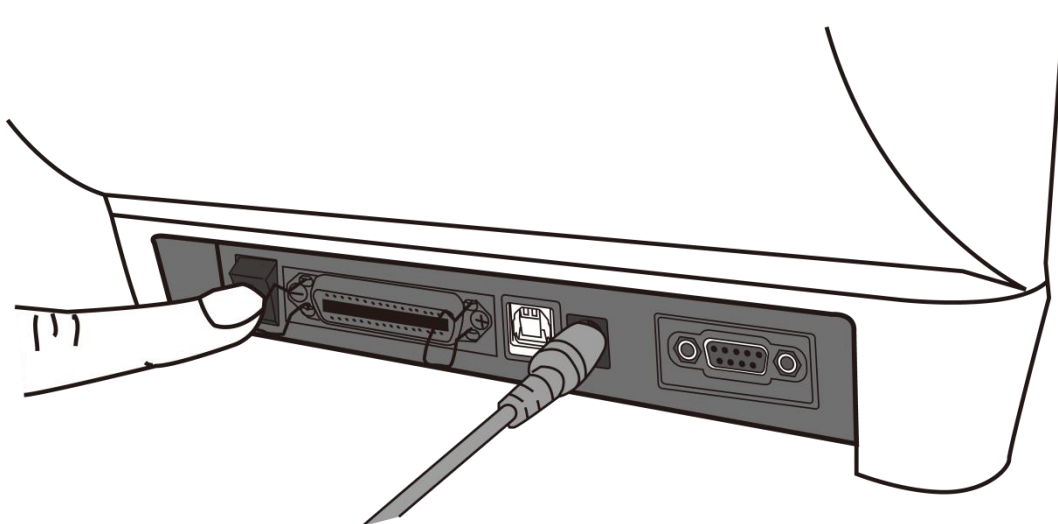
1. To turn on your printer, turn on the **Power Switch** as below. The “I” is the **ON** position.



2. LED1 glow solid green, after few second LED 2 turns to solid green.

2.2.2 Turn off your printer

1. Make sure LED 2 and LED 1 is solid green before turning off the printer.
2. To turn off your printer, turn off the **Power Switch** as below. The “O” is the **OFF** position.



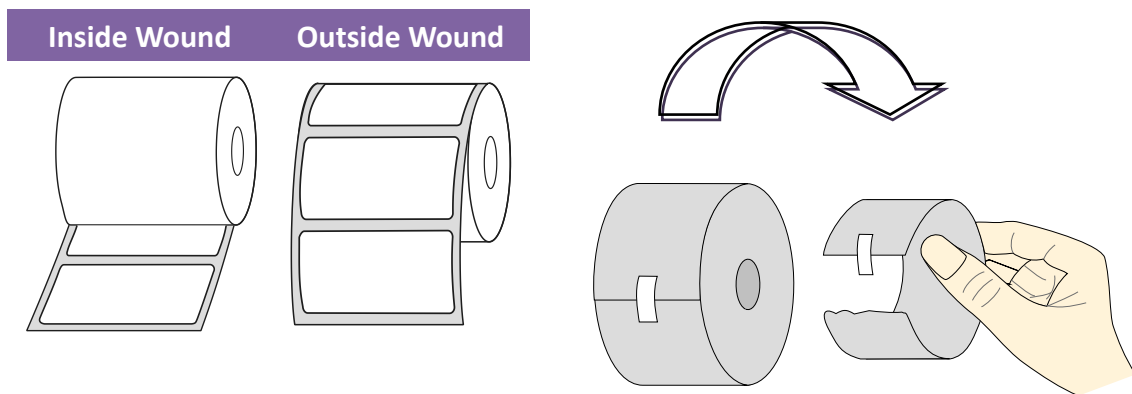
Caution Do not turn off your printer during data transmission.

2.3 Load media

There are various types and sizes for the media roll. Load the applicable media to satisfy your need.

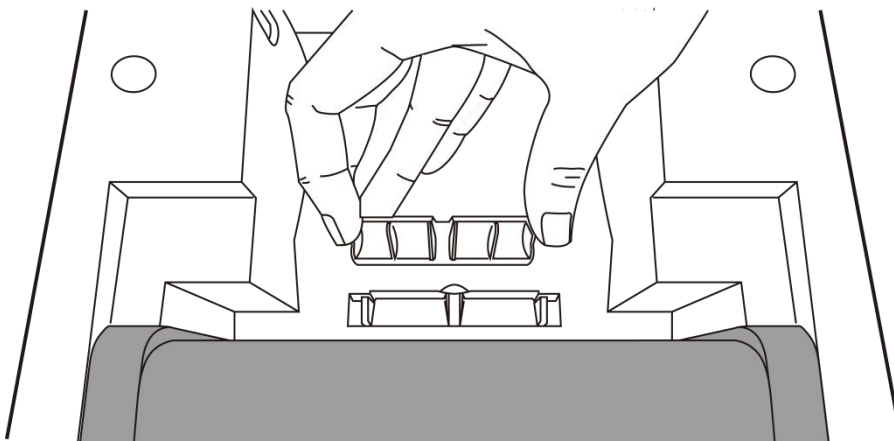
2.3.1 Prepare media

The inside wound and outside wound media roll can be loaded into the printer the same way. In case the media roll is dirty during shipping, handling or storage, remove the outside length of the media. It helps avoid dragging adhesive and dirty media between the printhead and platen roller.



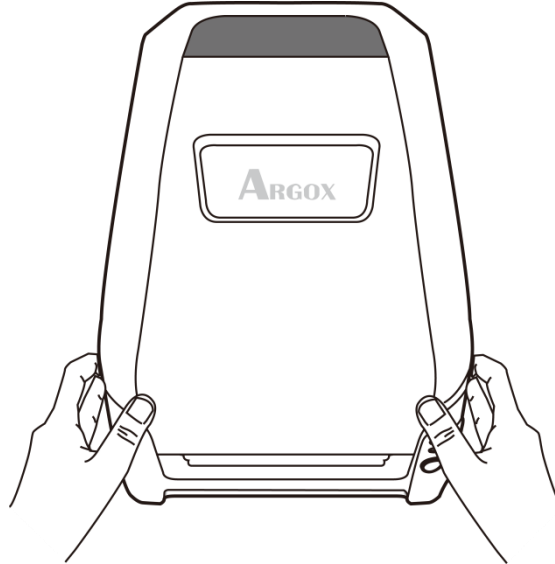
When Using outside-wound media rolls, pick up the Media Support Rack as shown below to ensure a steady feed of the media roll

1. Pick up the Media Support Rack.
2. Reverse Media Support Rack as below and put it back. Press it until you hear the click.

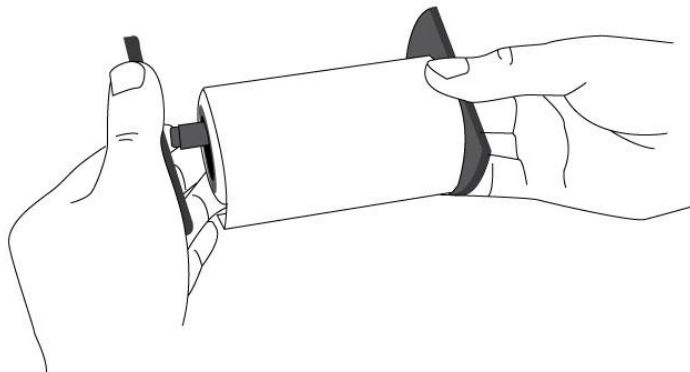


2.3.2 Placing media roll

1. Open the top cover of the printer.

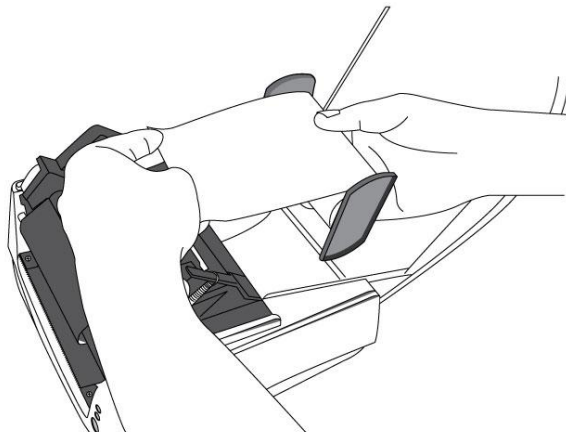


2. Put the Media Hanger through media supply roll, and then centrally align with the two Media Shields to closely lean against the media supply roll.

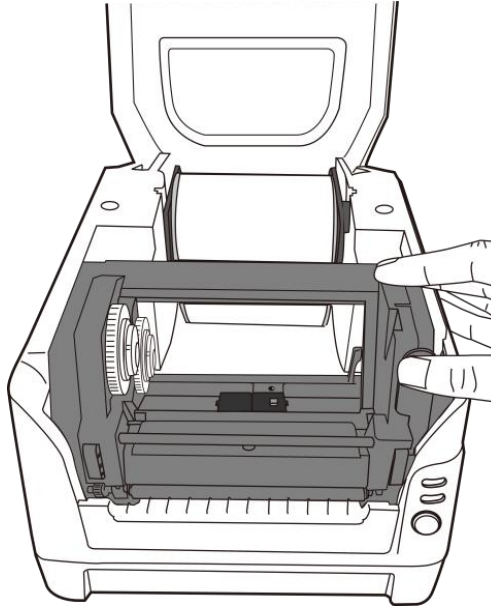


3. Locate the media supply roll into the Media Compartment of printer.

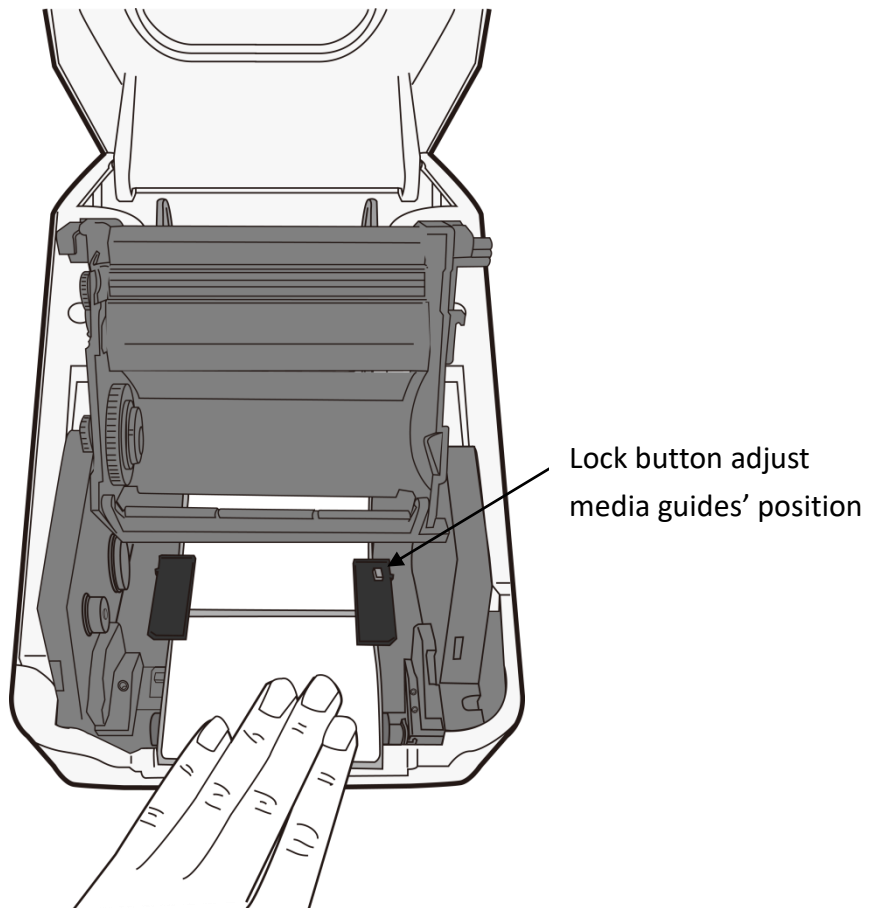
Caution Do not ship or bring the printer while it holds a label roll.



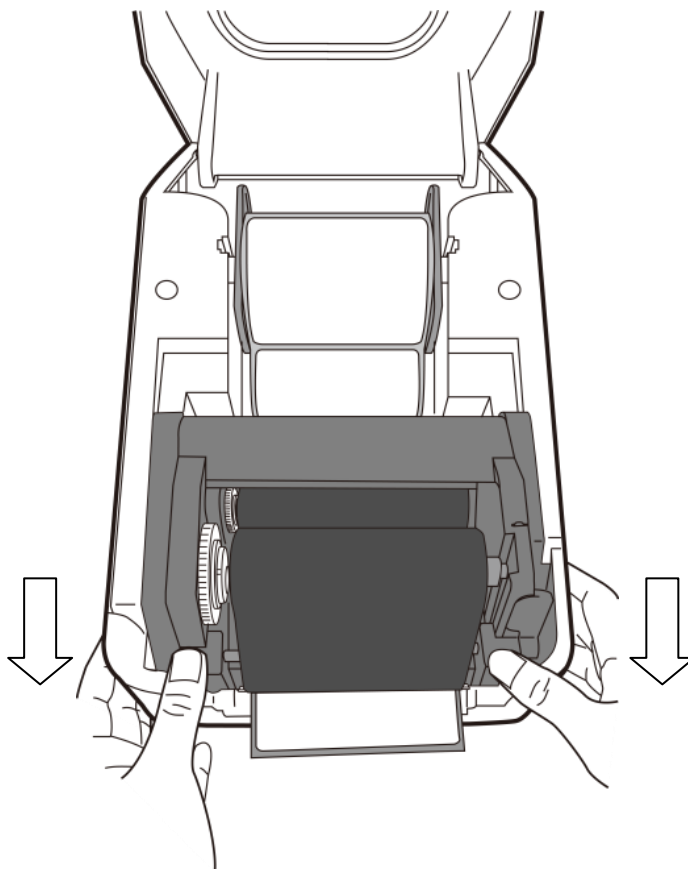
4. Push the Release Latch to open the printer module.



5. Pull a short length of media till it reaches the Platen Roll of printer. Press the lock of Media Guide at the right to adjust media guides' position. Make sure media stays under the Media Shaft and centrally under both of the Media Guides.

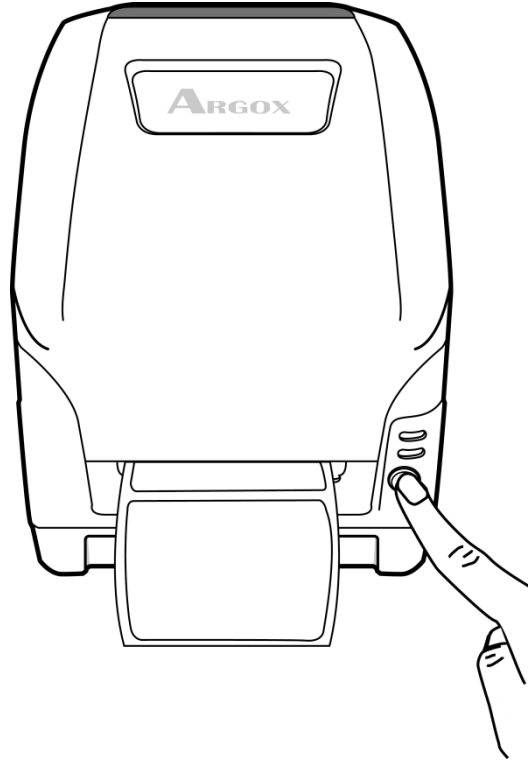


6. Close the printer module and then press firmly at the both sides to properly latch until you hear a click.

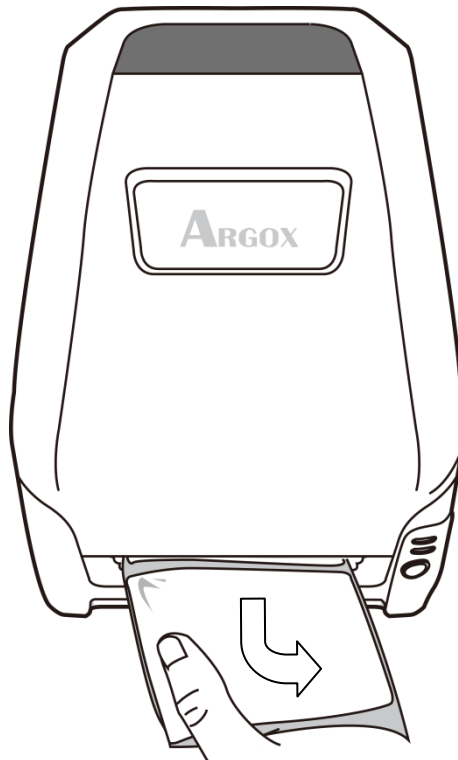


2.3.3 Test media feed

1. Turn on the printer, and press the **FEED** button to feed a label.

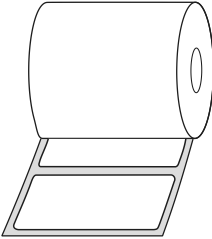
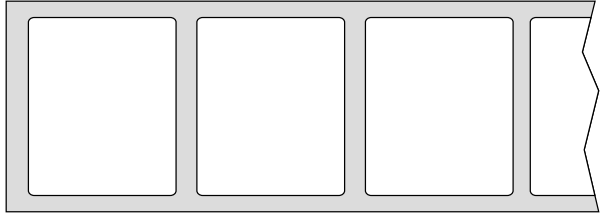
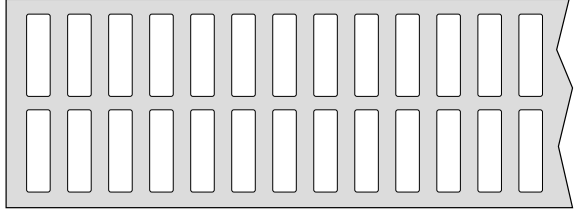
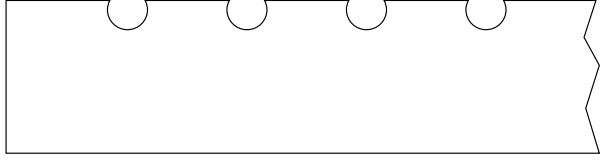




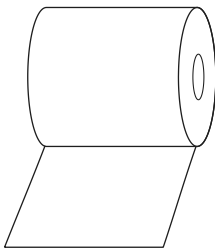
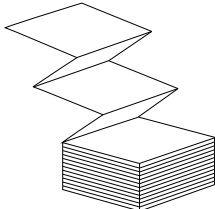
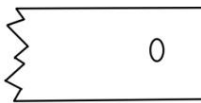
2. To tear media, pull the media edge against the Tear Bar.



2.3.4 Media types

Your printer supports various media types, including non-continuous media, continuous media, and fanfold media. The following table provides details about them.

Media Type	Looks Like	Description
Non-Continuous Media	     	<p>Non-continuous media is the typical media for bar code printing. Labels and tags are made of various materials, such as paper, fabric or cardstock, and are separated by gaps, holes, notches or black marks. Many labels are self-adhesive with liners, while some are linerless.</p>

Media Type	Looks Like	Description
Continuous Media		Continuous media does not have gaps, holes, notches or black marks. It allows you to print data anywhere on the media. A cutter may be used for splitting labels.
Fanfold Media		Fanfold media is in continuous form, but it can be used as non-continuous media, because its labels are separated by folds. Some fanfold media also has black marks or liners.
Tag Media		Tag media is usually made from a heavy paper, with central hole to index. It does not have adhesive or a liner, and it is typically perforated between tags. The media may also have black marks or other separations

2.4 Loading Ribbon

The following steps only apply to thermal transfer printing mode only.

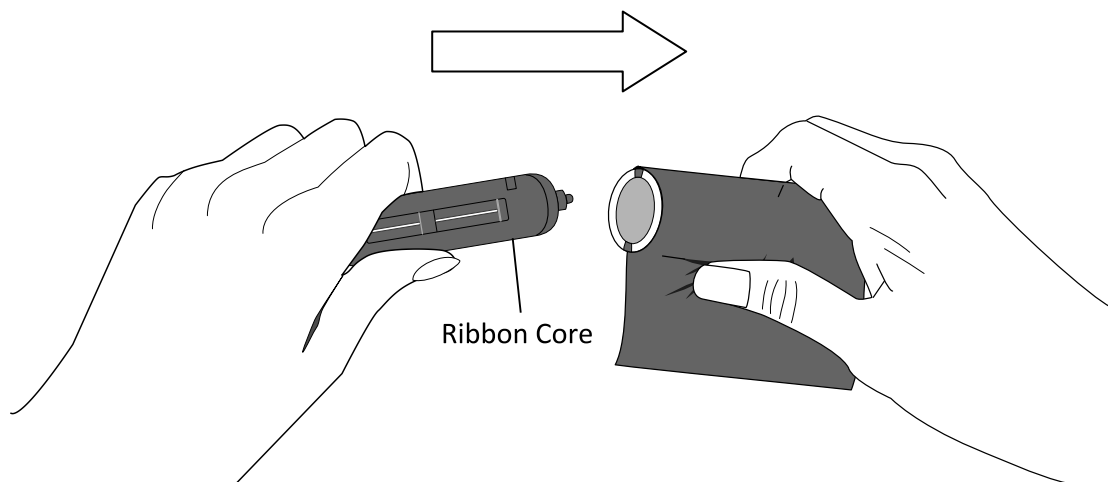
Direct thermal does not need ribbon to be installed.

Note:

- Media and ribbon types should be matched to provide with optimal print results.
- Always use ribbon that is wider than the media to protect the print head from wear.

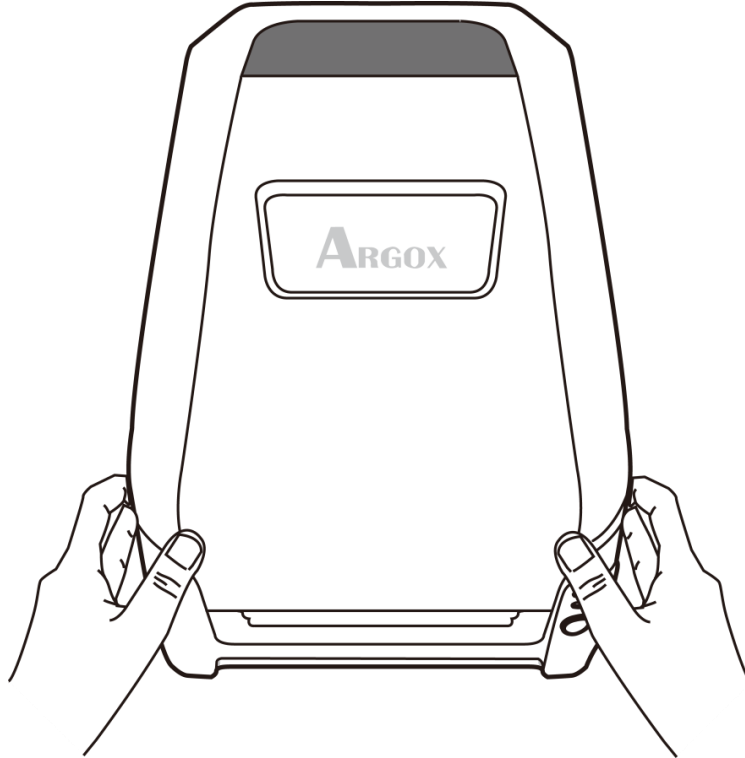
2.4.1 Preparing Ribbon

Find the two Ribbon Core Adaptors in printer package and fix them into new ribbon rolls from the left to the right.

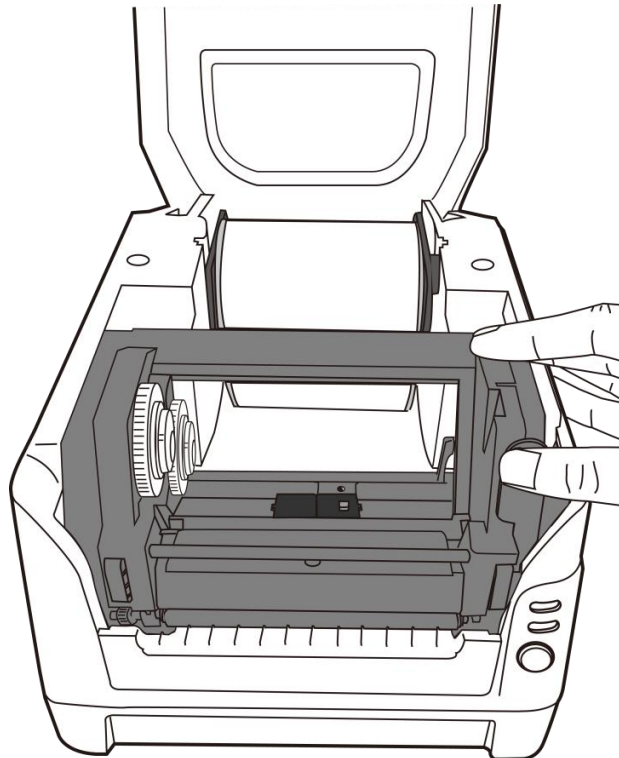


2.4.2 Placing Ribbon Roll

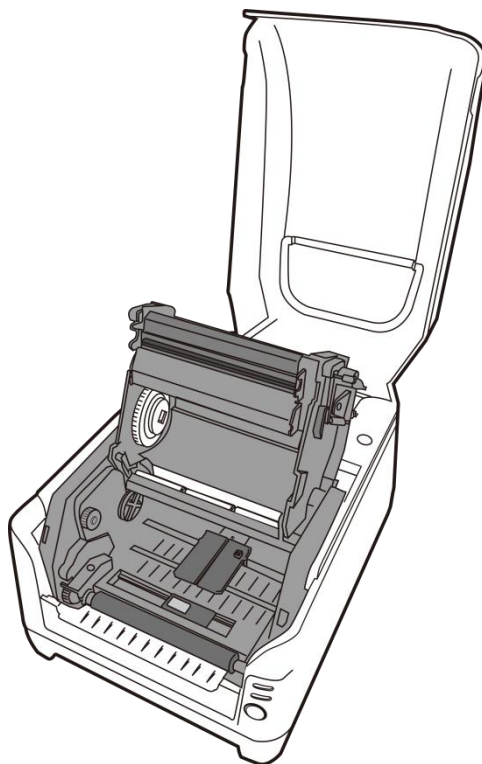
1. Open the top cover of the printer.



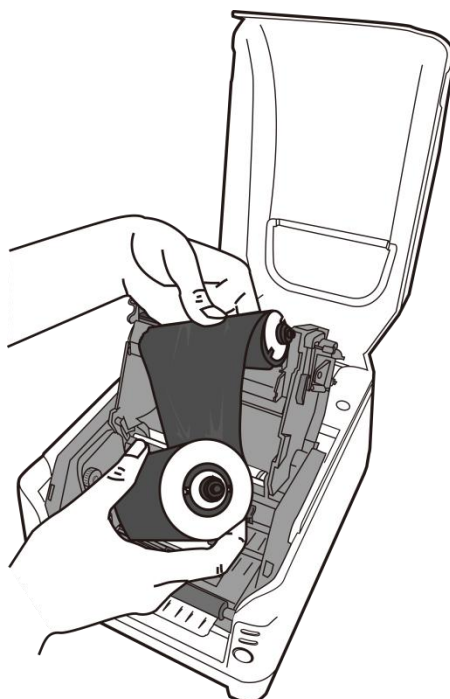
2. Push the **Module Release Latch** to open the printer module.



3. Lift up the printer module to check the Ribbon Supply Holder.



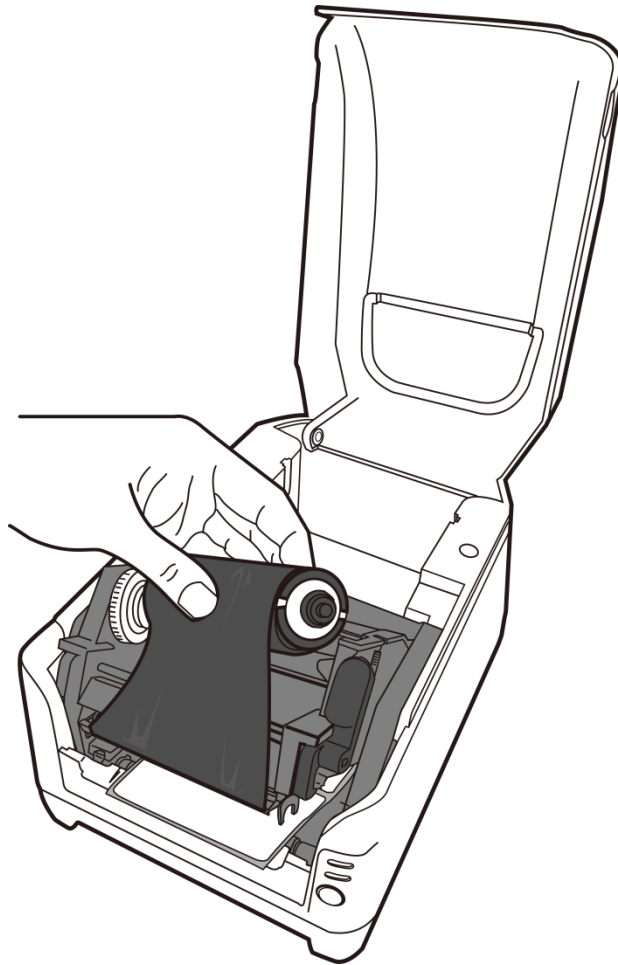
4. Install one ribbon roll and rotate it until the notches align and lock into the left side of Ribbon Supply hub, and then into the right



Note:

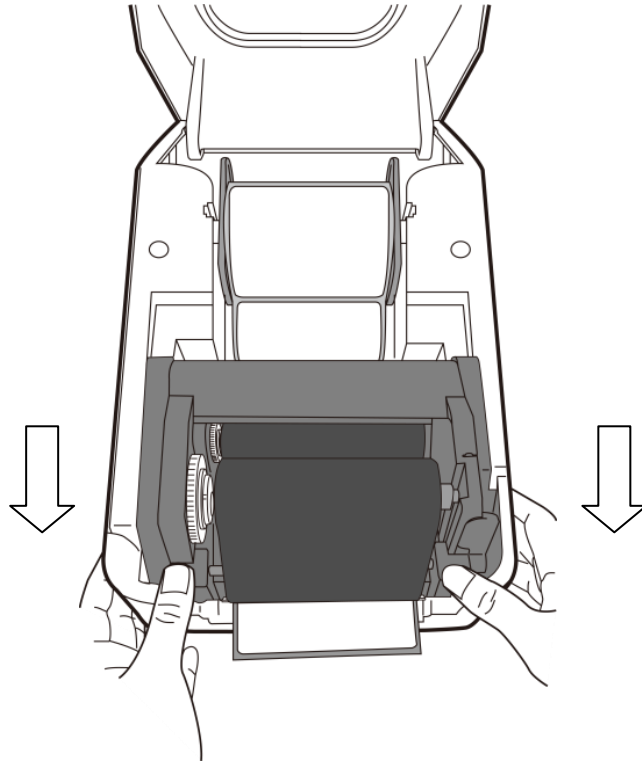
The Ribbon Supply Holder accepts the coated side of ribbon to be wound ink-side IN or wound ink-side OUT.

5. Install the other ribbon roll and rotate it until the notches align and lock into the left side of Ribbon Pick-up hub, and then the right.

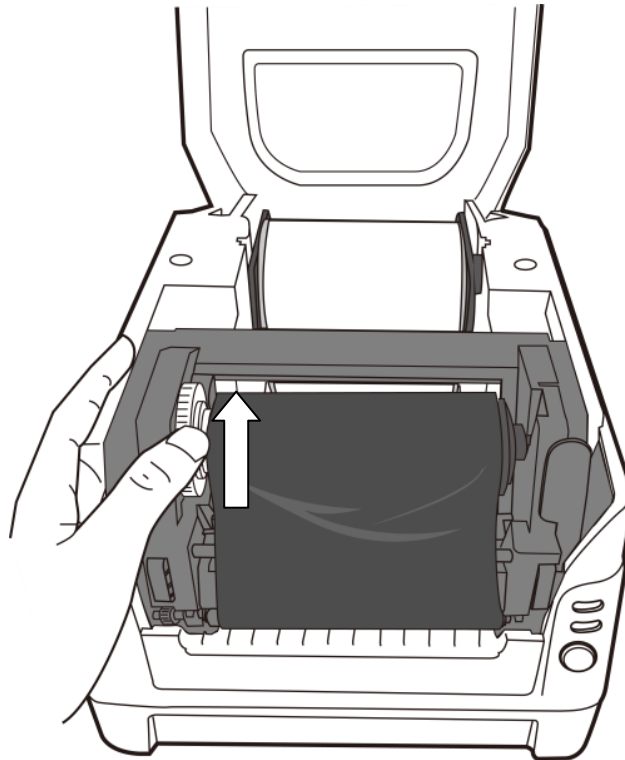
**Note:**

The Ribbon Pick-up Holder accepts the coated side of ribbon to be wound ink-side OUT only.

6. Close the printer module and press down firmly at its both sides, until you hear a click.



7. Rotate Thumb Wheel of Ribbon Pick-up Holder to remove slack and ribbon wrinkle, and to align the ribbon on the spindles.



3 Printer operation

This chapter provides information about printer operation.

3.1 Printing Media Calibration & Configuration

Before connecting the printer to your computer, to make sure that the printer works properly, conduct media calibration and print a self-test/configuration label.

1. Make sure the media is properly loaded, the print module is closed, and the printer's power switch is set to the **OFF** position.
2. Press and hold the **FEED** button, and turn on the printer.
3. Media Calibration will be performed while the printer automatically feeds the label stock for a certain length; then the printer motor suspends for one second and then prints out configuration/ self-test labels. Release the FEED button as soon as printer starts to print.

Note:

If printer is with Argox PPLB printer language, printer will enter Dump mode after printing configuration. In Dump mode, all characters will be printed in 2 columns: the right shows characters received from your system, and the left are the corresponding hexadecimal values of the characters. It allows users or engineers to verify and debug the program.

To return to normal operation mode from Dump mode, press the FEED button again. Another way is to turn off printer power, and then restart printer.

Your configuration label should look like this:

Label Printer with Firmware
 CP2240-B01.00 110415 00
 STANDARD RAM:16 M BYTES
 AVAILABLE RAM: 5539K BYTES
 FLASH TYPE:ON BOARD 8M BYTES
 AVAILABLE FLASH: 6143K BYTES
 8 bit data: Code Page 437
 THERMAL TRANSFER
 REFLECTIVE SENSOR(NORMAL)
 REF:3519 SEE2:3D7E
 NO. OF DL SOFT FONTS : 0
 Int.fonts:NO DOWNLOADED FONTS
 CUT COUNT: 0
 PRINT LENGTH METER: 138 M
 MOTOR TYPE: 5 ohm
 RS232 : 9600, 8, N, 1P
 CHECKSUM : 00000000
 SPEED: 5IPS DARKNESS: 8
 MEDIA_TYPE: GAP
 PRINT WIDTH: 800
 LABEL LENGTH: 1458
 BACKFEED DISABLE
 CUTTER DISABLE
 PEELER DISABLE
 CUTTER/PEELER OFFSET: 0
 R(X,Y) =R(0,0)
 H. POSITION ADJUST : 0000
 CALIBRATION TYPE: MODE 1
 M(0,0,0,0)
 s(2 , 0)
 U33,11,0,4,38080,50880,94
 5,5,5,5,5,5,5,5,1,5,

ON					
OFF	o	o	o	o	o
SW2	1	2	3	4	5

This is internal font 1. 0123456789 ABCabcXyz
 This is internal font 2. 0123456789 ABCabcXyz
 This is internal font 3. 0123456789 ABCabcXyz
 This is internal font 4. 0123456789 ABCXYZ



3.2 Reset your printer

By resetting your printer, you can return your printer to the state it was in when you receive it. This can help you solve some problems caused by settings changed during the printing.

Do the following to reset your printer:

1. Turn on the printer and wait till both LED 1 and LED 2 stay solid green.
2. Press the "FEED" button for 4 seconds, LED 1 and LED 2 will go off in order. (at this step, if the "FEED" button is pressed for 8 seconds, printer will reset first >> feed blank labels as media calibration >> and then print configuration/ self-test labels.)
3. Once LED 2 becomes lit again, release the FEED button.
4. LED 1 will become lit, too. At this moment, the printer has resumed its factory default settings.

Printer will delete those print tasks received but not yet printed.

Note:

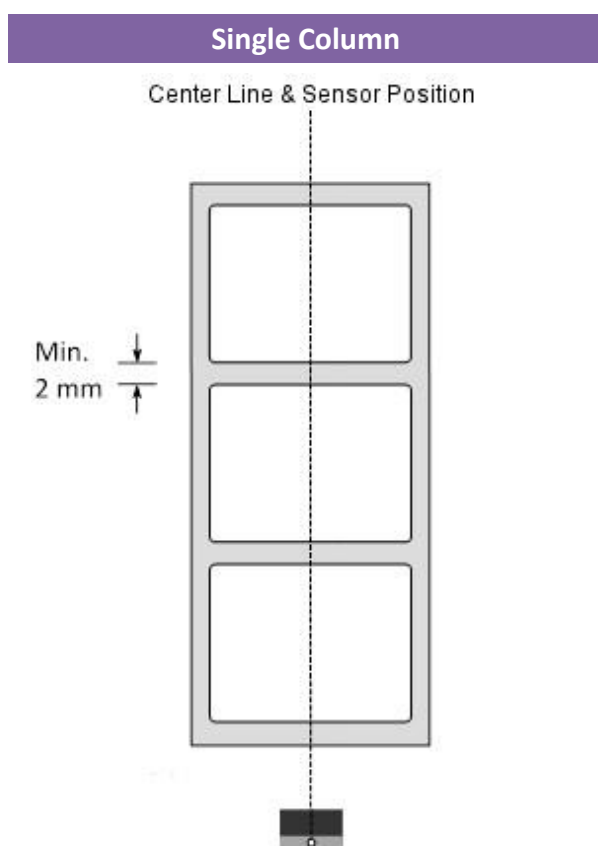
The printer factory default settings are stored in printer's flash; these settings remain stored, without being erased even the printer power is disconnected.

3.3 Media sensing

Printer offer two types of media sensor: transmissive and reflective. They are used for detecting specific media types.

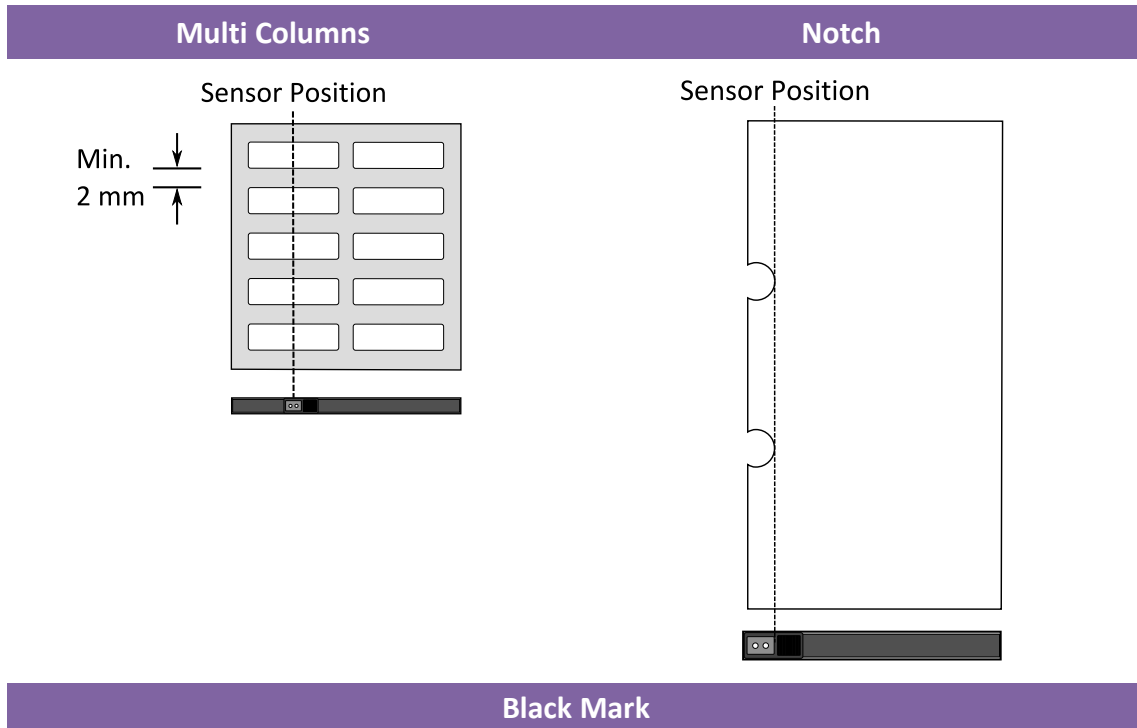
3.3.1 Transmissive sensor

The transmissive sensor is fixed and placed on the center of the printhead. It is used for detecting gaps across the entire width of the label.

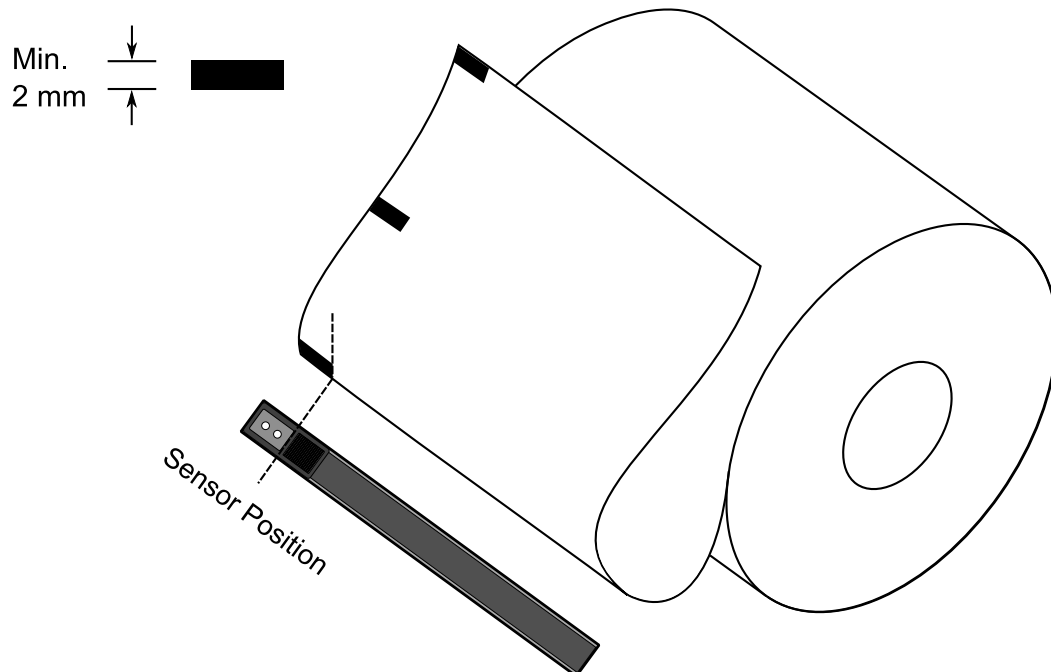


3.3.2 Reflective sensor

The reflective sensor is movable within the entire width of the media. It detects gaps, notches and black marks not located at the center of the media.



Flip the media so the black-mark side is facing down to align with the sensor.



3.4 Communications

3.4.1 Interfaces and Requirements

Argox CP printer come with a nine-pin Electronics Industries Association (EIA) RS-232 serial data interface, a USB interface, Parallel. A variety of interface options are suitable for versatile applications:

Note:

1. You must insert the power supply's barrel connector into the power jack on the back of the printer before connecting communication cables.
2. This printer complies with FCC Rules and Regulations, Part 15, for Class A Equipment, for use with fully shielded six-foot data

USB Interface Requirements

The Universal Serial Bus (USB) interface is compatible with your existing PC hardware. The USB's "plug and play" design makes installation easy. Multiple printers can share a single USB port/hub.

Serial (RS-232) Interface Requirements

The required cable must have a nine-pin "D" type male connector on one end, which is plugged into the mating serial port located on the back of the printer. The other end of the signal interface cable connects to a serial port on the host computer.

Note:

For technical and pin-out information, please refer to the Technical Reference, Interface Specifications in this manual.

Parallel Interface Requirements

The required cable (IEEE 1284-compliant is recommended) must have a

standard 36-pin parallel connector on one end, which is plugged into the parallel port located on the back of the printer. The other end of the parallel interface cable connects to the printer connector at the host computer. For pin-out information, refer to the Reference Technical Information, Interface Specification.

Serial and Parallel Cabling Requirements

Data cables must be of fully shielded construction and fitted with metal or metalized connector shells. Shielded cables and connectors are required to prevent radiation and reception of electrical noise.

To minimize electrical noise pickup in the cable:

1. Keep data cables as short as possible.(6 ft or 1.83m recommended)
2. Do not tightly bundle the data cables with power cords.
3. Do not tie the data cables to power wire conduits.

3.5 Driver installation

The bundled printer driver can be applied to all applications under Windows XP/ Vista/ Windows 7/ Windows 8/ Windows 10, supporting 32-bit/ 64-bit operation systems. With this driver you can operate any popular Windows software applications including Argox Bartender UL label editing software or MS Word, etc., to print to this printer.

Drivers can be downloaded from Argox website

3.5.1 Installing a Plug and Play printer driver (for USB only)

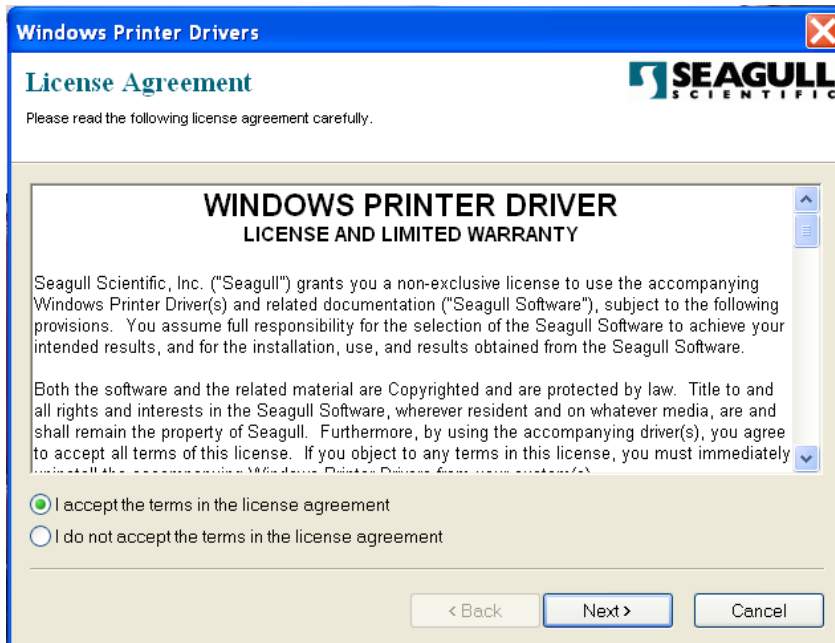
Note:

We strongly recommend that you use the Seagull Driver Wizard instead of the Microsoft Windows Add Printer Wizard when installing and updating your Drivers by Seagull.

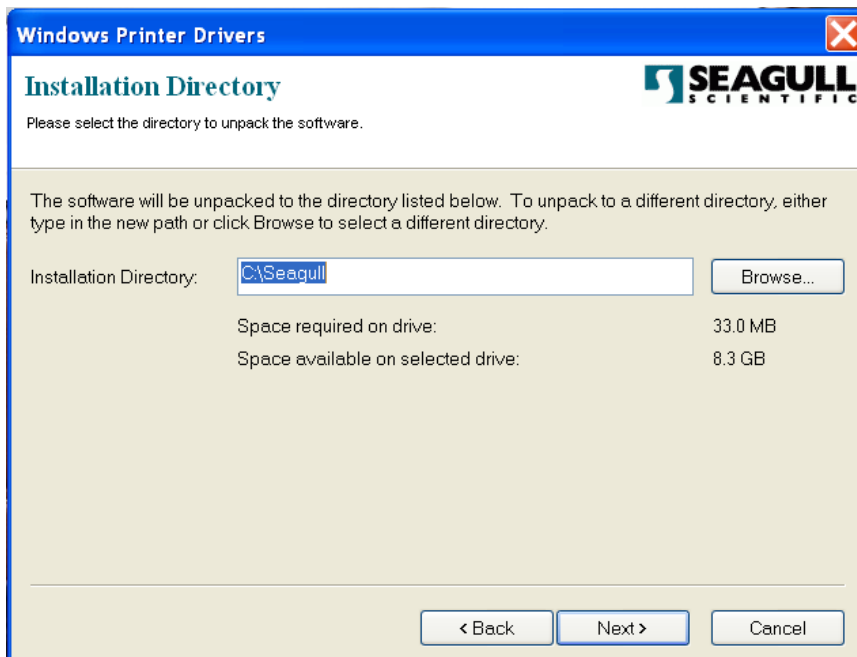
(Even though the "Add Printer Wizard" is from Microsoft, it too easily performs a number of tasks incorrectly when updating existing drivers. It also badly handles the situation where a printer driver is already in use by a Windows application.)

1. Turn off the printer. Plug the power cable into the power socket on the wall, and then connect the other end of the cable to printer's power socket. Connect the USB cable to the USB port on the printer and on the PC.
2. Turn on the printer. If the printer supports Plug-and-Play, and you have successfully connected it using a USB cable, then the Windows Add Hardware Wizard will automatically detect the printer and display a dialog that allows you to install a driver. Click Cancel and do not install the driver using this wizard.

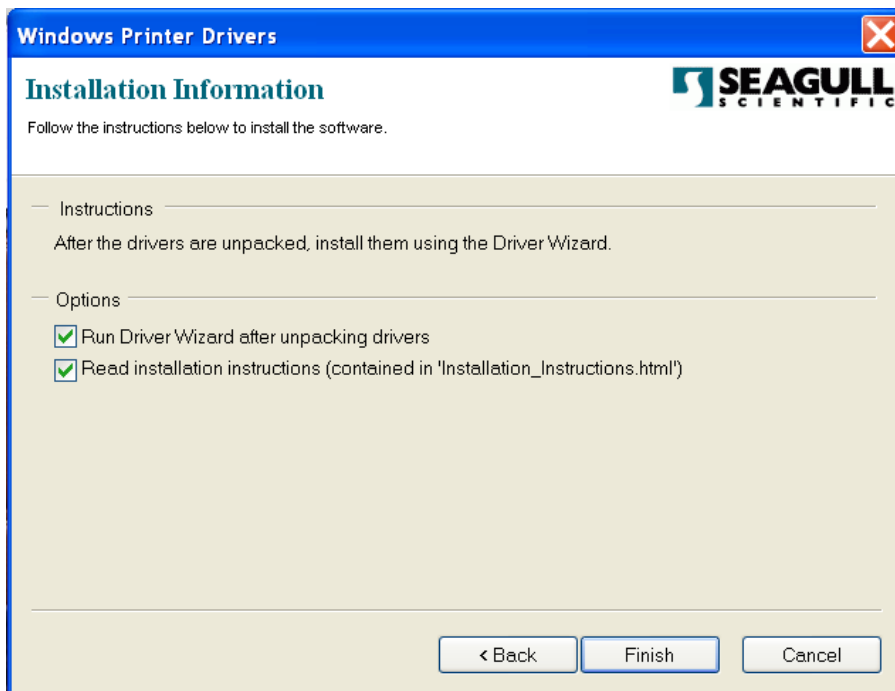
3. Run the driver from Argox website. On the prompt, Windows Printer Driver, select "I accept..." and click "Next".



4. Assign the directory to keep Seagull driver, (for example: C:\Seagull) and click "Next".



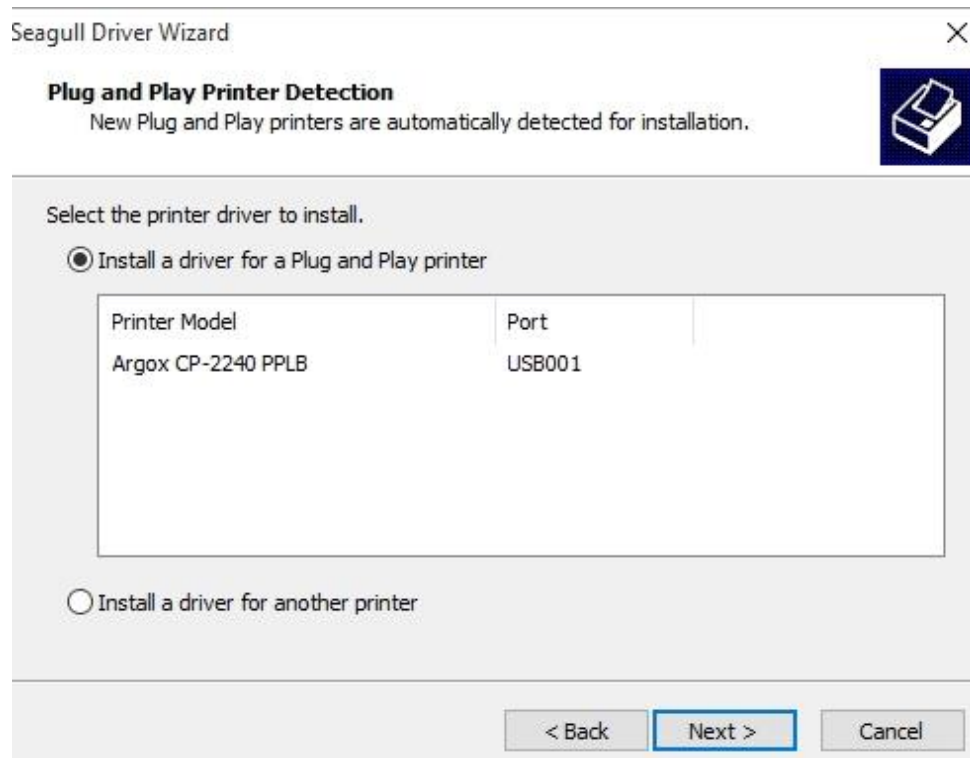
5. Click "Finish".



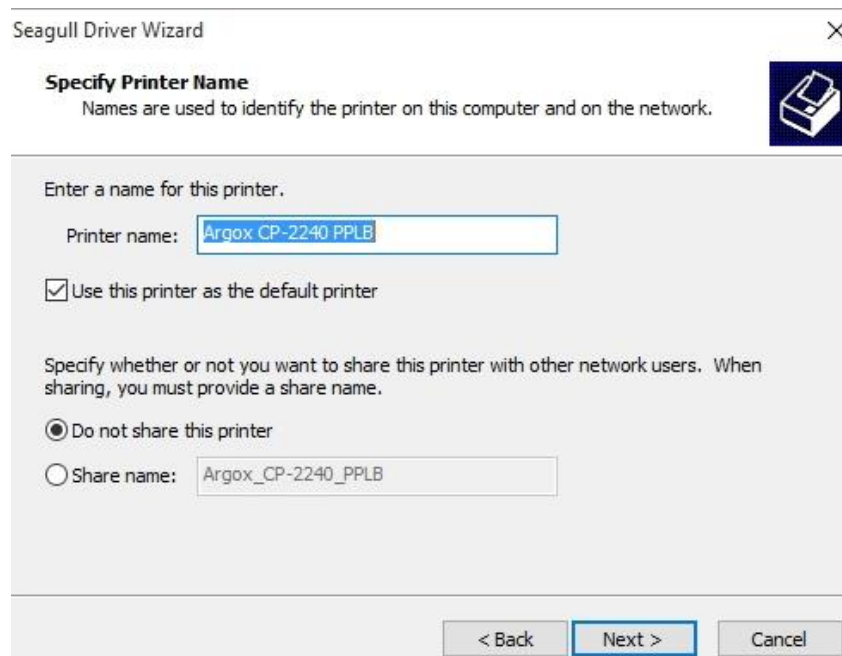
6. Select Install printer drivers and Click "Next"



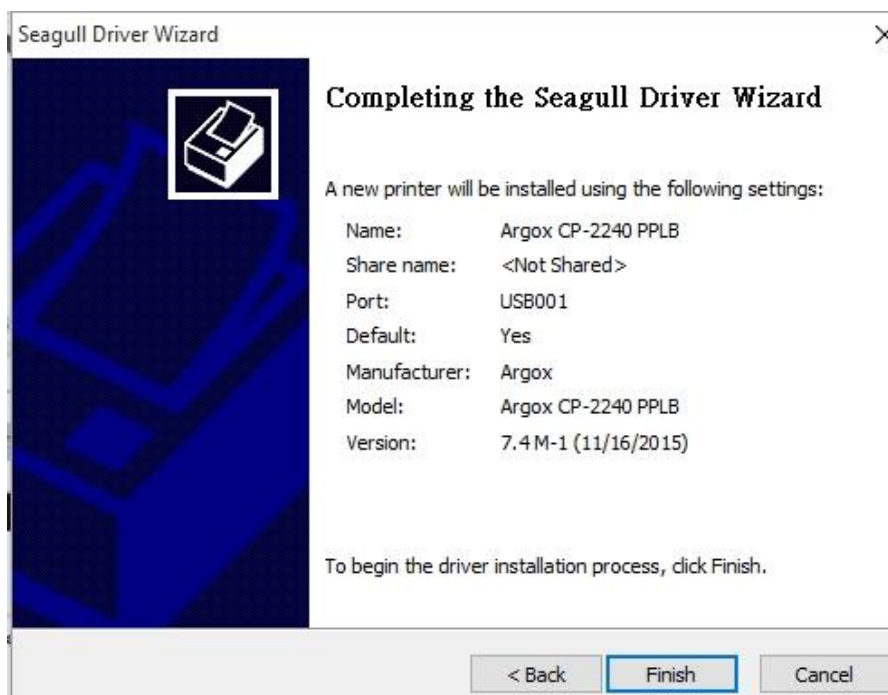
7. On the Seagull Driver Wizard prompt, select the first radio button to “Install a driver for a Plug and Play printer” Then click “Next.”



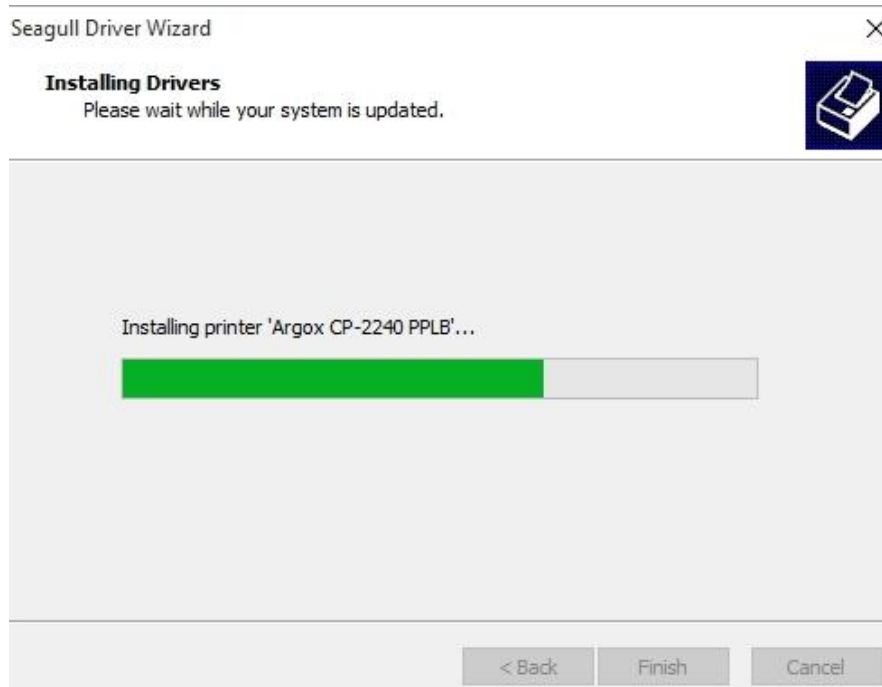
8. Enter Printer name (i.e. Argox CP-2240 PPLB) and select "do not share this printer", and click "Next"



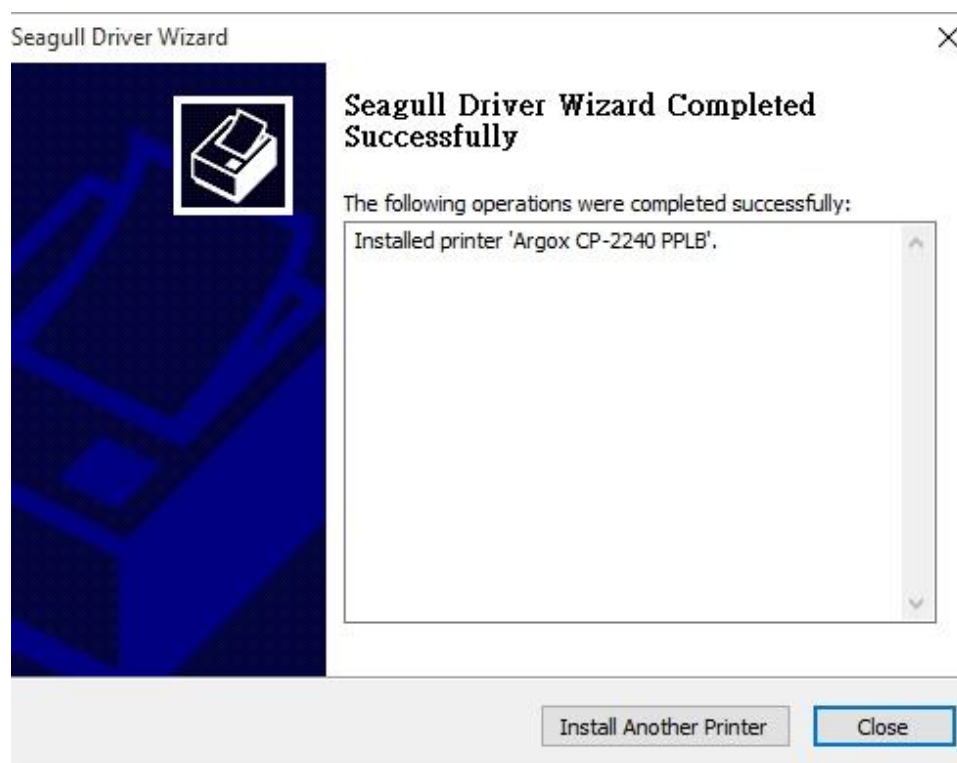
9. Check all the data on the showing screen, if it is correct, click "Finish".



10. After the related files have been copied to your system, click "Finish".



11. After driver installation is complete, click "Close". The driver should now be installed.

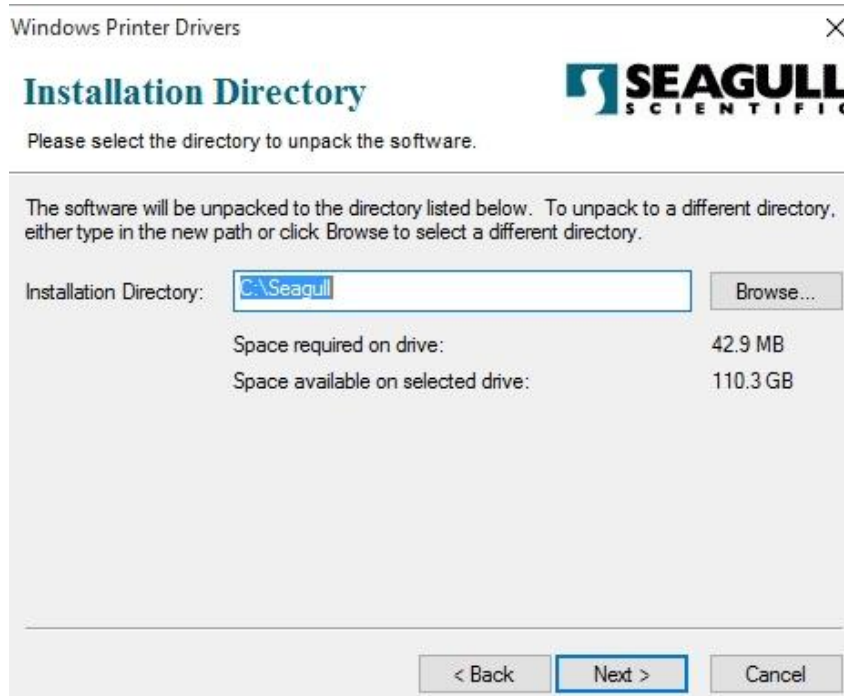


3.5.2 Installing a Printer Driver (for other interfaces except USB)

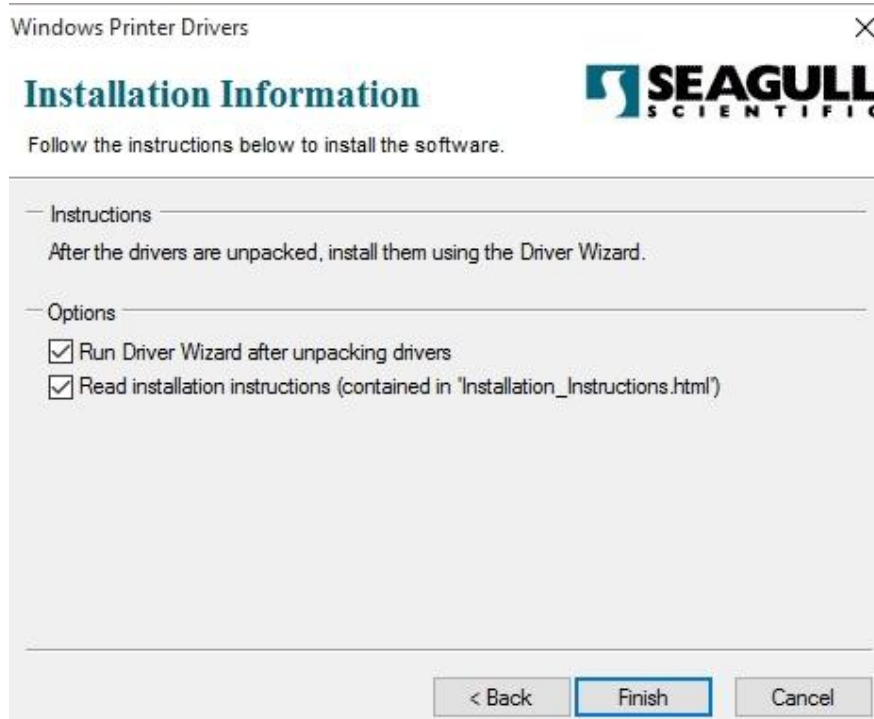
1. Turn off the printer. Plug the power cable into the power socket on the wall, and then connect the other end of the cable to printer's power socket. Connect the Parallel cable, Serial cable, or Ethernet cable to the proper port on the printer and on your computer.
2. Run the driver from Argox website. On the prompt, Windows Printer Driver, select "I accept..." and click "Next".



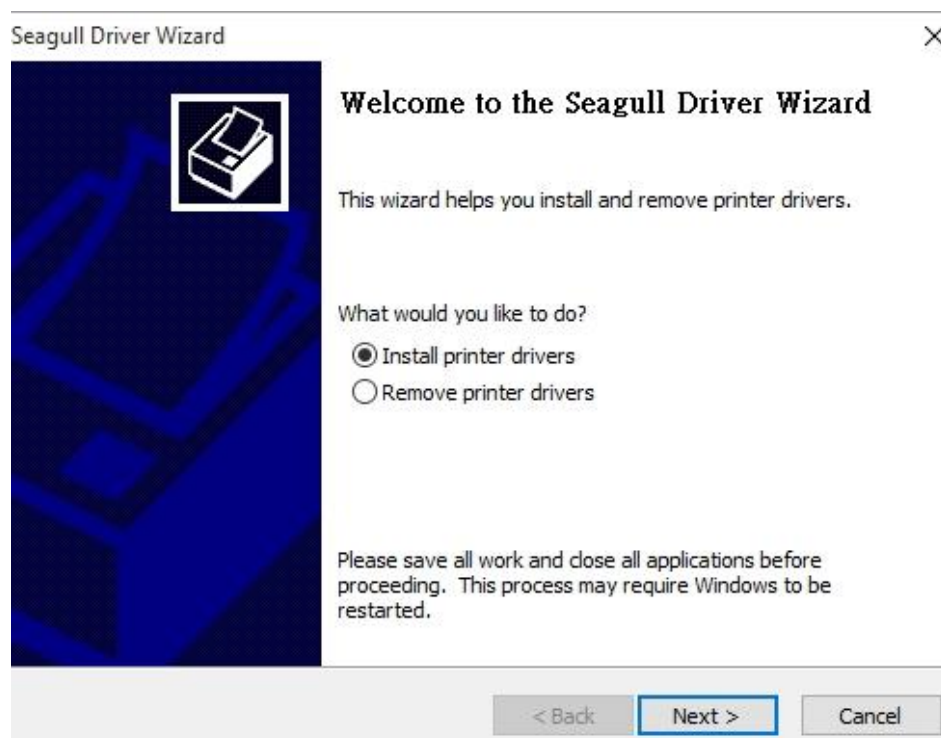
- Assign the directory to keep Seagull driver, (for example: C:\Seagull) and click "Next".



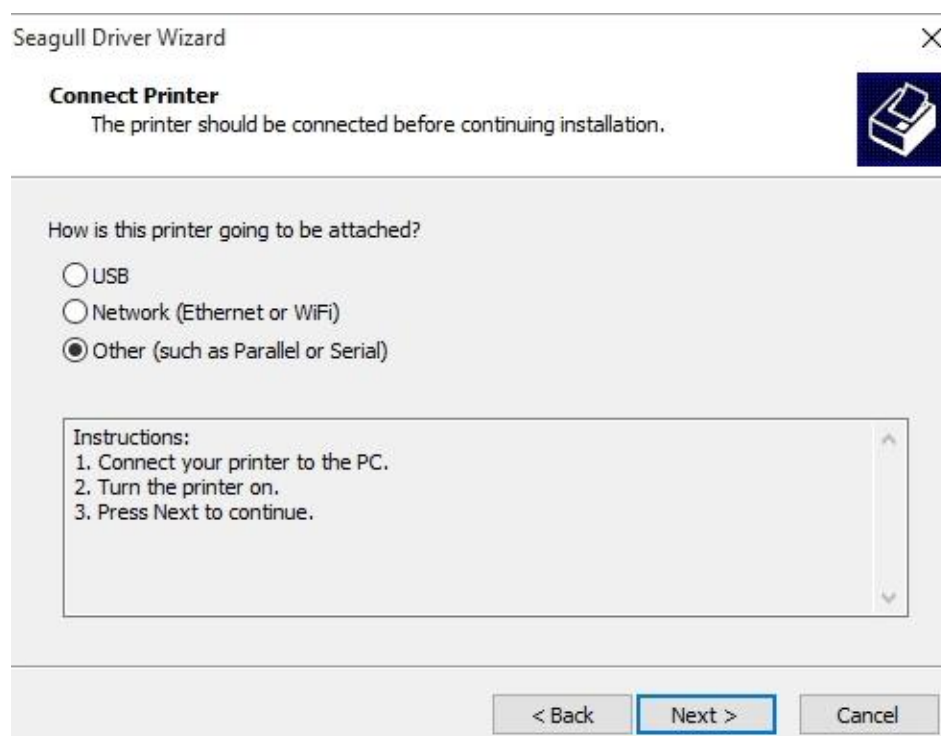
- Click "Finish".



5. Select Install printer drivers and Click "Next"

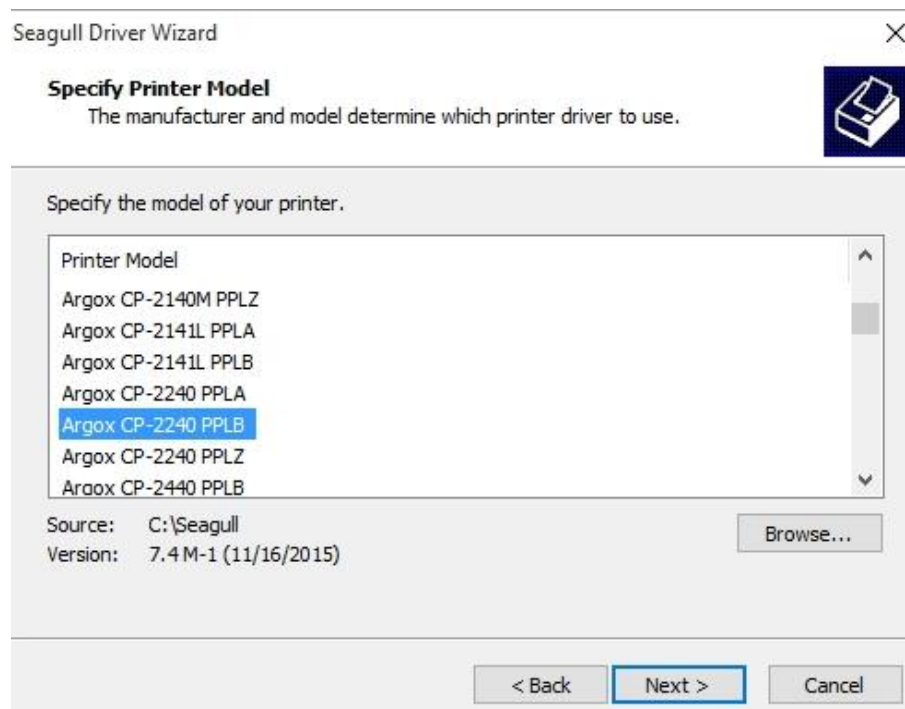


6. Make sure printer is connected to PC, select "Other" and click "Next":

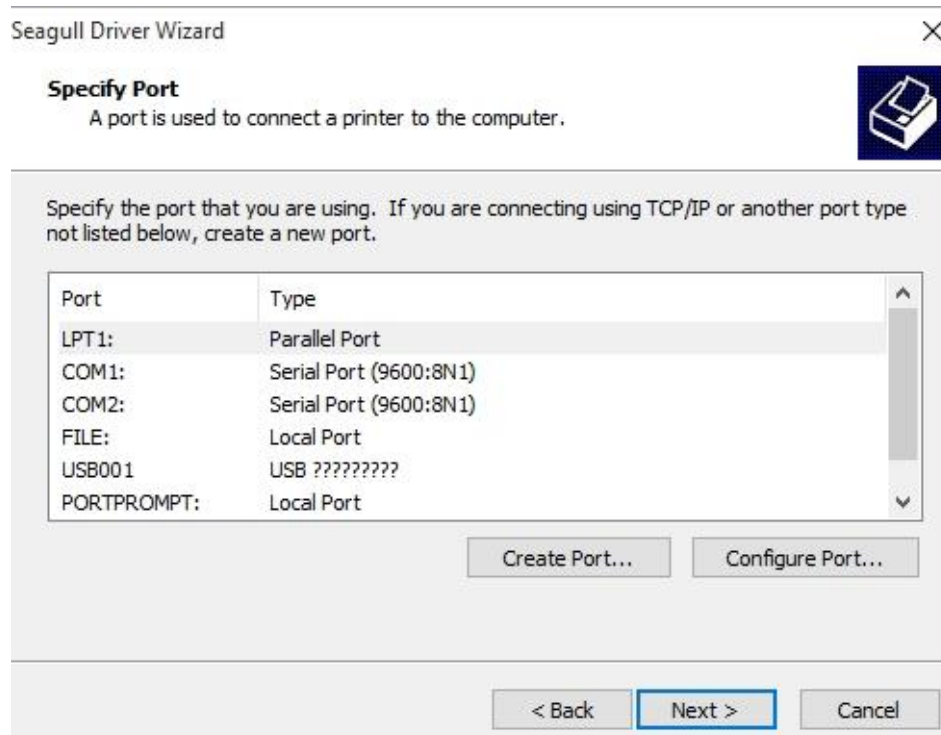


7. Select model & emulation - the following examples are based on model CP-2240

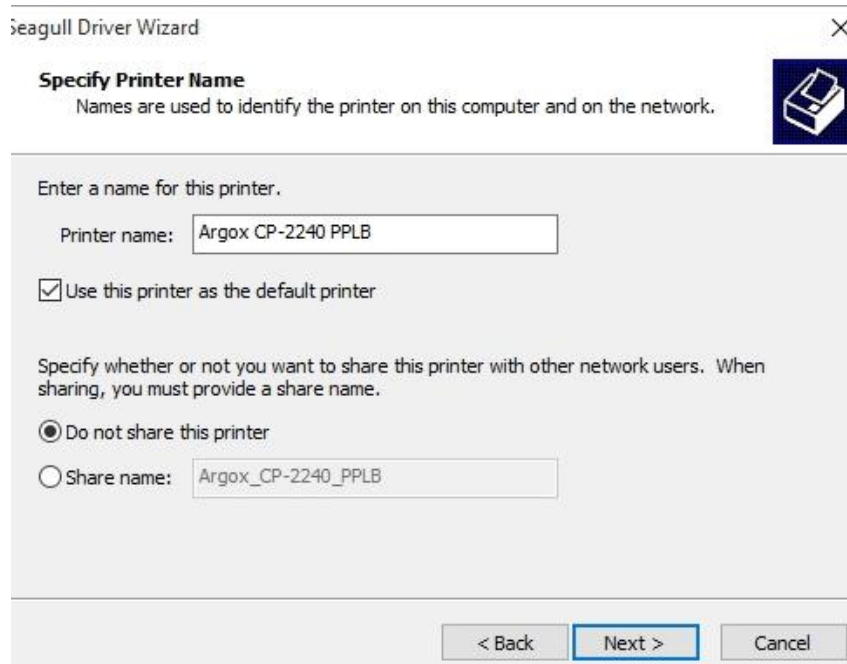
PPLB:



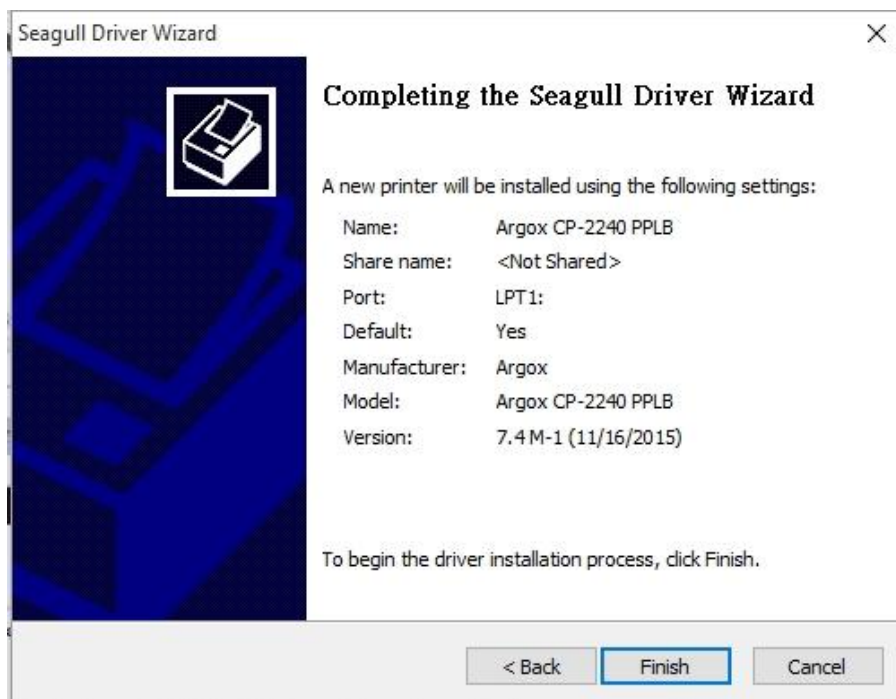
8. Select the port of the printer and click "Next".



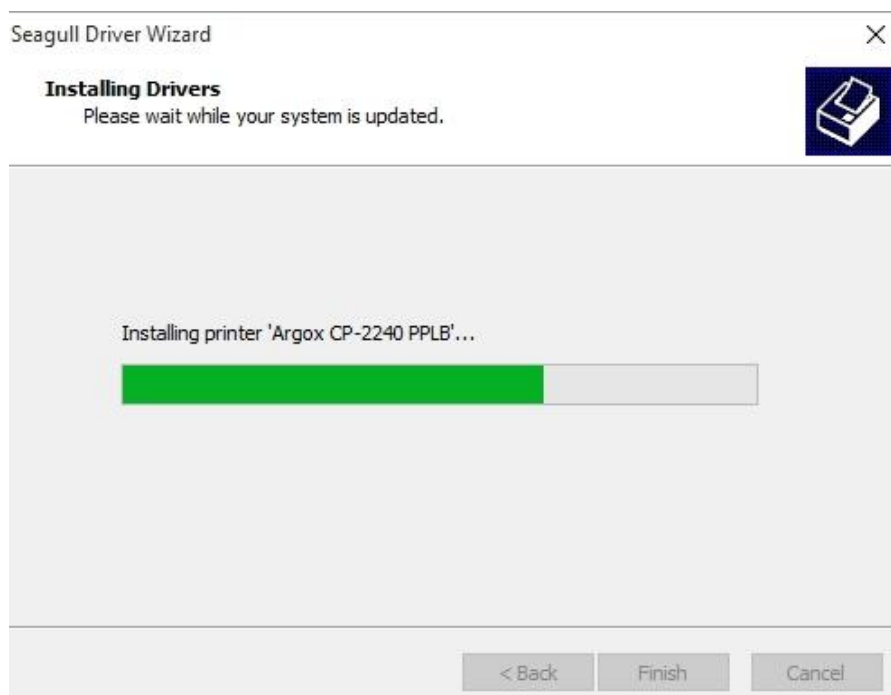
9. Enter Printer name (i.e. Argox CP-2240 PPLB) and select "do not share this printer", and click "Next".



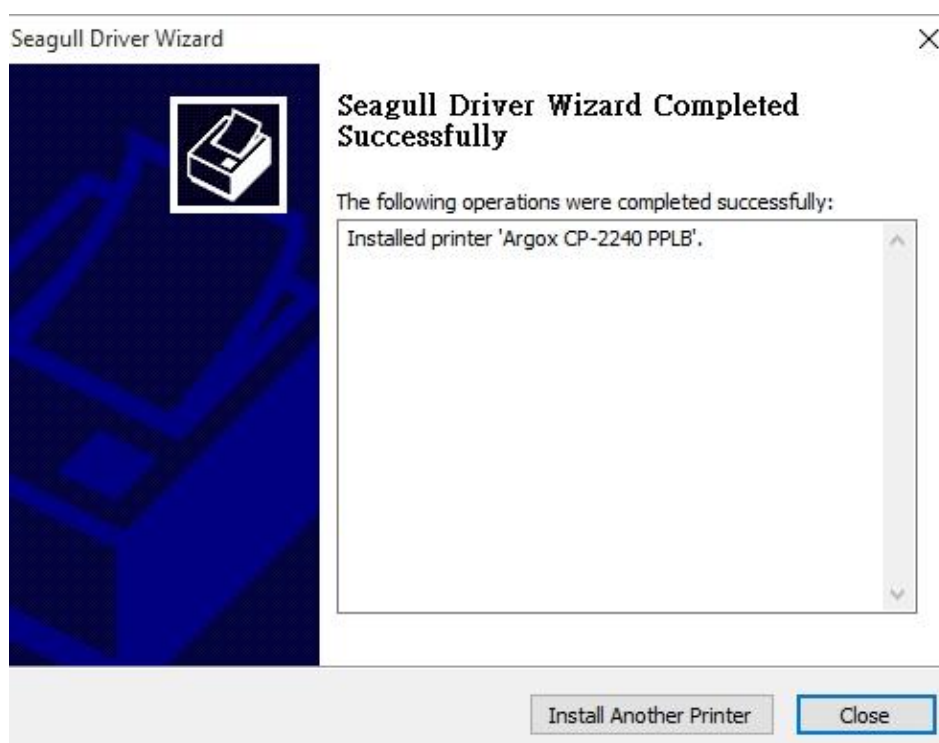
10. Check all the data on the showing screen, if it is correct, click "Finish".



11. After the related files have been copied to your system, click "Finish".



12. After driver installation is complete, click "Close". The driver should now be installed.



4 Maintenance

This chapter describes routine cleaning procedure.

4.1 Cleaning

To maintain print quality and prolong the printer's life, you need to perform some routine maintenance. Daily maintenance should be done for high volume printing, and weekly for low volume printing.



Warning Always turn off the printer before cleaning.

4.1.1 Printhead

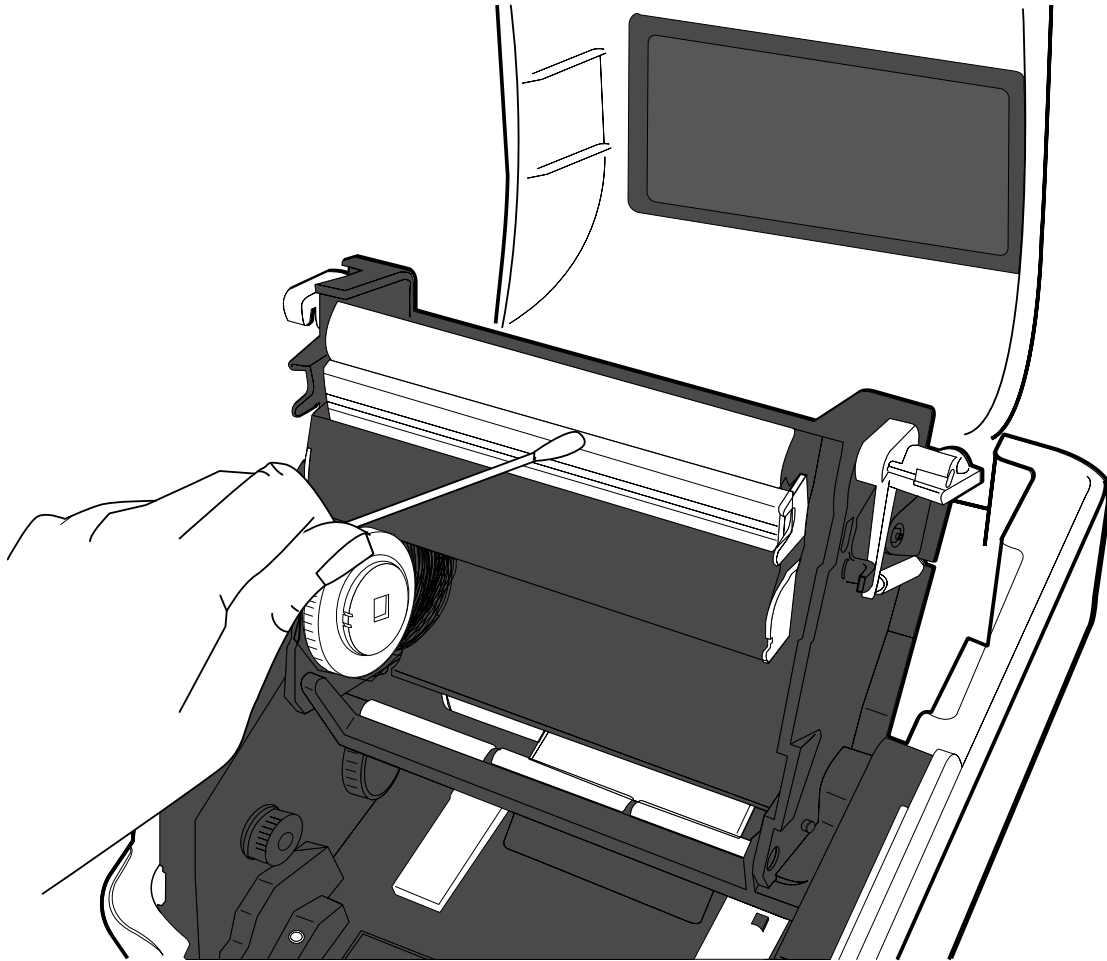
It is essential to keep printhead clean if you want the best print quality. We strongly recommend that you clean the printhead when you load a new media roll. If the printer is operated in critical environment, or the print quality declines, you need to clean the printhead more frequently.

Keep in mind these things before you clean:

- Keep the water away in case of corrosion on heating elements.
- If you just finish printing, wait until the printhead cools down.
- Do not touch the printhead with bare hands or hard objects.

Cleaning steps:

1. Moisten a soft cloth or a cotton swab with ethyl alcohol.
2. Gently wipe the printhead in one direction. That is, wipe it only from left to right or vice versa. Do not wipe back-and-forth, in case dust or dirt attaches to the printhead again.

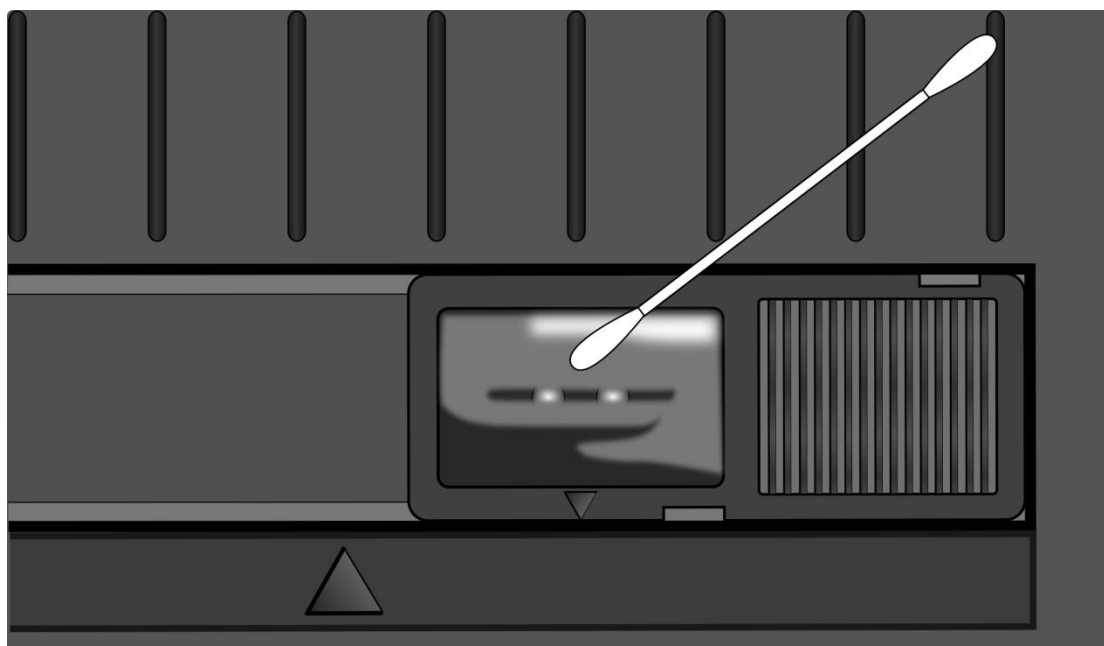


Note Printhead warranty becomes void if printhead's serial number is removed, altered, defected, or made illegible, under every circumstance.

4.1.2 Sensor

Media sensors may not be able to detect the media correctly if it becomes dirty.

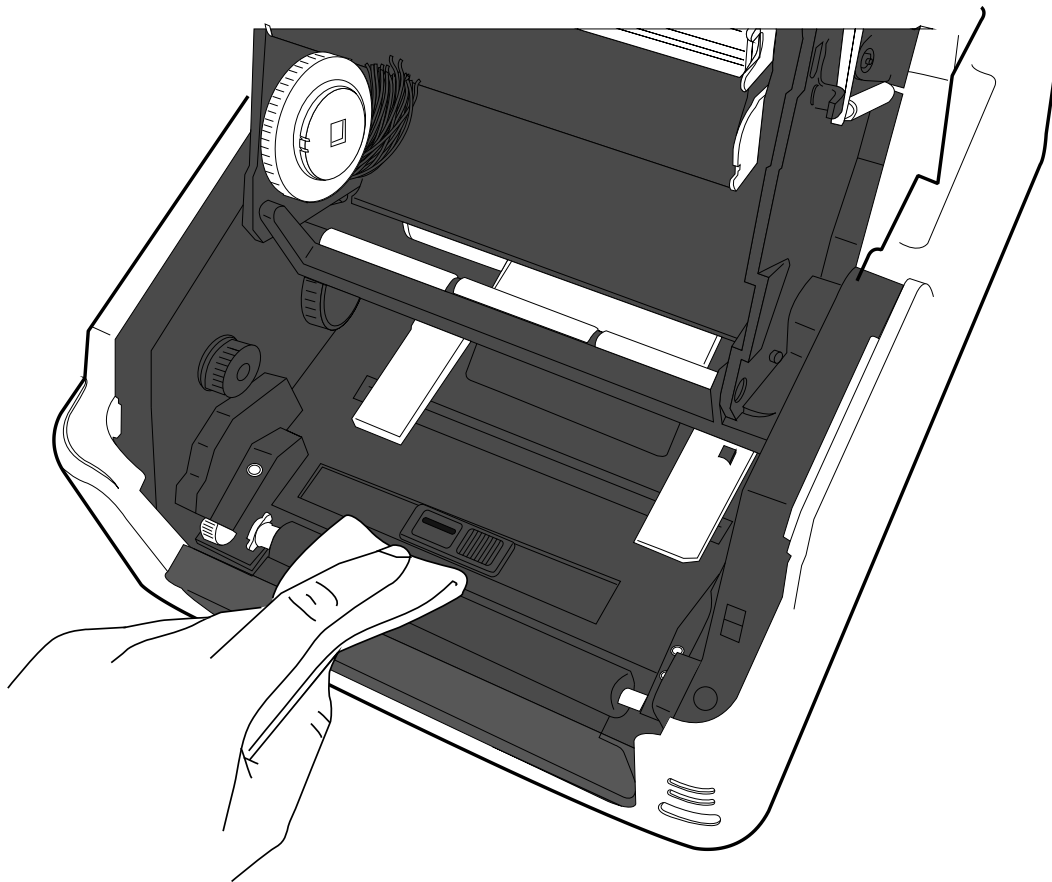
1. Moisten a soft cloth or a cotton swab with absolute ethyl alcohol.
2. Gently brush sensors to remove the dust away.
3. Use a dry cloth to clean the residue.



4.1.3 Platen Roller

The platen roller is also important for print quality. Dirty platen roller may damage the printhead. Clean the platen roller right away if the adhesive, dirt or dust accumulates on it.

1. Moisten a soft cloth with absolute ethyl alcohol.
2. Gently wipe the platen roller to remove the dust and adhesive.



5 Troubleshooting

This chapter provides the information about printer problems and solutions.

5.1 Printer issues

The printer won't turn on

- Did you attach the AC power cord?
- Make sure the power supply's connector is inserted into the printer power jack.
- Check the power connection from the wall socket to the printer. Test the power cord and the socket with other electrical devices.
- Disconnect the printer from the wall socket, and connect it again.

The printer turns itself off

- Turn on the printer again.
- Make sure the power supply's connector and the power cord are properly plugged.
- Make sure the power supply and the power cord are not damaged.
- Use the applicable power supply.
- If the printer keeps turning itself off, check the socket and make sure it has enough power for the printer.

The printer does not feed the media out

- The media is not loaded correctly. See Section 2.3, "Loading Media" to reload the media.
- If there is a paper jam, clear it.

5.2 Media issues

The media is out

- Load a new media roll.

The paper is jammed

- Open the printer and clear the jammed paper.
- Make sure the paper is held properly by the **Media Guides**.

The printing position is not correct

- Did you use the correct media type for printing?
- The media is not loaded correctly. See Section 2.3, “Loading Media” to reload the media.
- The media sensor needs to be calibrated. See Section 3.1, “Printing Media Calibration & Configuration” to calibrate the sensor.
- The media sensor is dirty. Clean the media sensor.

Nothing is printed

- The media is not loaded correctly. See Section 2.3, “Loading Media” to reload the media.
- The print data might not be sent successfully. Make sure the interface is set correctly in the printer driver, and send the print data again.
- Make sure the media and ribbon are both matched.

The print quality is poor

- The printhead is dirty. Clean the printhead.
- The platen roller is dirty. Clean the platen roller.
- Adjust the print darkness, or lower the print speed.
- The media is incompatible for the printer. Use appropriate media roll instead.

5.3 Ribbon issues

The ribbon is out

- Load a new ribbon roll.

The ribbon is broken

- Check the print darkness and adjust it if it is too high, and take the following steps to fix the broken ribbon:
 1. Unload the ribbon supply roll and take-up roll from the printer.
 2. Pull the ribbon from the supply roll so it overlaps the broken end of the take-up roll.
 3. Tape the overlapped parts together.
 4. Reload both rolls into the printer.

The ribbon is “printed out” with the media

- The ribbon is not loaded correctly. See Section 2.4, “Loading Ribbon” to reload the ribbon.
- The printhead temperature is too high. Reload the ribbon and print a configuration label to check the settings (see Section 3.1, “Self Test and Dump mode”). If the print darkness is very high, adjust it in printer preference, or reset your printer (see Section 3.2, “Reset your printer”).

The ribbon is wrinkled

1. Make sure the ribbon is loaded correctly.
Rotate Thumb Wheel of Ribbon Pick-up Holder to straighten the ribbon.

5.4 Other issues

There are broken lines in the printed label

- The printhead is dirty. Clean the printhead.

The printhead temperature is extremely high

- The printhead temperature is controlled by the printer. If it is extremely high, the printer will stop printing automatically, until the printhead is cool down. After that, the printer will resume printing automatically, if there is any unfinished print job.

The printhead is broken

- Contact your local dealer for assistance.

6 Specifications

This chapter provides specifications for the printer.

6.1 Printer

Model	CP-2240
Print method	Direct Thermal & Thermal Transfer
Resolution	203 dpi (8 dots/mm)
Operation Mode	Standard: Continuous mode, Tear-off mode Optional: Cutter mode, Peeler mode
Sensor	Media Reflective sensor x 1 (movable) & Media Transmissive sensor x 1 (Center fixed) / Head open switch / Ribbon end sensor
Operation interface	LED indicator x 2, Button x 1
Print Speed	Up to 7ips
Print Length	Max 100" (2540 mm)
Print Width	Max 4.1" (104 mm)
Communication Interface	USB, RS-232, Parallel
Programming Language	CP-2240: PPLA, PPLB CP-2240Z: PPLA, PPLB, PPLZ
Accessories	Cutter: Full Cutter, Partial Cutter Peeler
Onboard Memory	16 MB SDRAM, 8 MB Flash ROM
CPU Type	32 bit RISC microprocessor
Panel	2 LED, 1 Button
LED	1 st LED: Green 2 nd LED: Green
Software---Label editing	Windows Driver (Windows XP/Vista/ Win 7/ Win 8/ Win 10), BarTender® from Seagull Scientific
Software--- Utility	Printer Utility 、 Font Utility
Optional Items	Media Stacker, Full Cutter, Partial Cutter, Peeler, RTC Card
Agency Listing	CE, CB, cTUVuc, FCC, ICES, KC



Note Print quality and speed is based on 15% print coverage.

6.1.1 Fonts, Barcodes, and Graphics Specification

The specifications of fonts, bar codes and graphics depends on the printer emulation. The emulations PPLA, PPLB, and PPLZ are printer programming languages, through which the host can communicate with your printer.

Printer Programming Language PPLA

Programming Language	PPLA
Internal fonts	9 fonts with different point size 6 fonts with ASD smooth font. Courier font with different symbol sets.
Symbol sets (Code pages)	Courier font symbol set: Roman-8, ECMA-94, PC, PC-A, PC-B, Legal, and PC437 (Greek), Russian.
Soft fonts	Downloadable soft fonts by Font Utility
Font size	1x1 to 24x24 times
Character rotation	0, 90, 180, 270 degree, 4 direction rotation
Graphics	PCX, BMP, IMG, GDI and HEX format files
1D Barcodes	Code 39、UPC-A、UPC-E、Code 128 subset A/B/C、EAN-13、EAN-8、HBIC、Codabar、Plessey、UPC2、UPC5、Code 93、Postnet、UCC/EAN-128、, UCC/EAN-128 K-MART、UCC/EAN-128 Random weight、Telepen、FIM、Interleaved 2 of 5 (Standard/with modulo 10 checksum/ with human readable check digit/ with modulo 10 checksum & shipping bearer bars) 、GS1 Data bar (RSS)
2D Barcodes	MaxiCode、PDF417、Data Matrix (ECC 200 only) 、QR code、Composite Codes

Printer Programming Language PPLB

Programming Language	PPLB
Internal fonts	5 fonts with different point size
Symbol sets (Code pages)	8 bits code page : 437, 850, 852, 860, 863, 865, 857, 861, 862, 855, 866, 737, 851, 869, 1252, 1250, 1251, 1253, 1254, 1255 7 bits code page: USA, BRITISH, GERMAN, FRENCH, DANISH, ITALIAN, SPANISH, SWEDISH and SWISS
Soft fonts	Downloadable soft fonts by Font Utility
Font size	1x1 to 24x24 times
Character rotation	0, 90, 180, 270 degree, 4 direction rotation
Graphics	PCX , Binary Raster, BMP and GDI
1D Barcodes	Code 39、UPC-A、UPC-E、Matrix 2 of 5、UPC-Interleaved 2 of 5、 Code 39 with check sum digit 、 Code 93、 EAN-13、 EAN-8 (Standard, 2 /5digit add-on) 、 Codabar、 Postnet、 Code128 subset A/B/C、 Code 128 UCC (shipping container code) 、 Code 128 auto、 UCC/EAN code 128 (GS1-128) 、 Interleave 2 of 5、 Interleaved 2 of 5 with check sum、 Interleaved 2 of 5 with human readable check digit、 German Postcode、 Matrix 2 of 5、 UPC Interleaved 2 of 5、 EAN-13 2/5 digit add-on、 UPCA 2/5 digit add-on、 UPCE 2/5 digit add-on、 GS1 Data bar (RSS)
2D Barcodes	MaxiCode、 PDF417、 Data Matrix (ECC 200 only) 、 QR code、 Composite Codes

Printer Programming Language PPLZ

Programming Language	PPLZ
Internal fonts	8 (A~H) fonts with different point size. 8 AGFA fonts: 7 (P~V) fonts with fixed different point size (not scalable). 1 (O) font with scaling point size.
Symbol sets (Code pages)	USA1, USA2, UK, HOLLAND, DENMARK/NORWAY, SWEDEN/FINLAND, GERMAN, FRANCE1, FRANCE2, ITALY, SPAIN, MISC, JAPAN, IBM850
Soft fonts	Downloadable soft fonts by Font Utility
Font size	1x1 to 10x10
Character rotation	0, 90, 180, 270 degree, 4 direction rotation
Graphics	GRF, Hex and GDI
1D Barcodes	Code39、UPC-A、UPC-E、Postnet、Code128 subset A/B/C、Interleave 2 of 5、 Interleaved 2 of 5 with check sum、 Interleaved 2 of 5 with human readable check digit、 Code 93、Code 39 with check sum digit、 MSI、EAN-8、Codabar、Code 11、EAN-13、Plessey、 GS1 Data bar (RSS) 、Industrial 2 of 5、Standard 2 of 5、Logmars
2D Barcodes	MaxiCode、PDF417、Data Matrix (ECC 200 only) 、 QR code、Composite Codes

6.2 Media & Ribbon

Properties	Description
Media Size	Length: 5 mm ~ 2540 mm Width: 254 mm~ 110 mm(1"~ 4") Max Roll Diameter Size: 152.4 mm (6 inches) , Core 25.4 or 38.1mm (1" or 1.5") Max Roll Diameter Size for External Media Stand: max. 216 mm/8.5 inches, Core 25.4 or 76.2mm (1" or 3")
Media Type	Roll-feed, die-cut, continuous, fan-fold, tags, ticket or plain paper or label
Ribbon Size	Ribbon roll – max OD: 2.6"(67mm) Ribbon Length: max 300m Core size: 1" (25.4 mm) Ribbon Width: 1"~4.33",
Ribbon Type	Wax, Wax/Resin, Resin (Ribbon wound ink-side out or ink-side in)

6.3 Bar codes

Programming Language	PPLA	PPLB	PPLZ
One Dimensional Bar Code	Code 39 UPC-A UPC-E Code 128 subset A/B/C EAN-13 EAN-8 HBIC Codabar Plessey UPC2 UPC5 Code 93 Postnet UCC/EAN-128 UCC/EAN-128 K-MART UCC/EAN-128 Random Weight Telepen FIM Interleave 2 of 5 (Standard/with modulo 10 checksum/with human readable check digit/with modulo 10 checksum & shipping bearer bars) GS1 Data bar (RSS)	Code 39 Std & Extended UPC-A, UPC-E UPC-Interleaved 2 of 5 Code 39 with check sum digit Code 93 EAN-13 EAN-8 (Standard, 2 /5digit add-on) Codabar Postnet Code128 subset A/B/C Code 128 UCC (shipping container code) Code 128 auto UCC/EAN code 128 (GS1-128) Interleave 2 of 5 Interleaved 2 of 5 with check sum Interleaved 2 of 5 with human readable check digit German Postcode Matrix 2 of 5 UPC Interleaved	Code39, UPC-A, UPC-E, Postnet, Code128 subset A/B/C, Interleave 2 of 5, Interleaved 2 of 5 with check sum, Interleaved 2 of 5 with human readable check digit, Code 93, Code 39 with check sum digit, MSI, EAN-8, Codabar, Code 11, EAN-13, Plessey, GS1 Data bar (RSS), Industrial 2 of 5, Standard 2 of 5, Logmars

Programming Language	PPLA	PPLB	PPLZ
		2 of 5 EAN-13 2/5 digit add-on, UPCA 2/5 digit add-on, UPCE 2/5 digit add-on, GS1 Data bar (RSS)	
Two Dimensional Bar Code	MaxiCode, PDF417, Data Matrix (ECC 200 only), QR code, Composite Codes, Aztec Barcode, Micro PDF417	MaxiCode, PDF417, Data Matrix (ECC 200 only), QR code, Composite Codes, Aztec Barcode	MaxiCode, PDF417, Data Matrix (ECC 200 only), QR code, Composite Codes, Aztec Barcode, Micro PDF417

6.4 Electrical and operating environment

Properties	Description
Power Supply	Voltage: AC 100 V ~ 240 V \pm 10 % (full range) Frequency: 50 Hz - 60 Hz \pm 5 %
Temperature	Operating: 40°F~100°F (4°C~38°C) Storage: -4°F~122°F (-20°C~50°C)
Humidity	Operating: 25 %RH ~ 85 %RH (non-condensing) Storage: 10 %RH ~ 90 %RH (non-condensing)

6.5 Physical dimension

Dimension	Size and Weight
Size	W 220mm x H 216mm x D 322 mm
Weight	2.35 kg



Important The cutter is for cutting non-adhesive liners. If you use it to cut adhesive liners, the cutter blade will become sticky and affect its cutting capability and paper feeding.



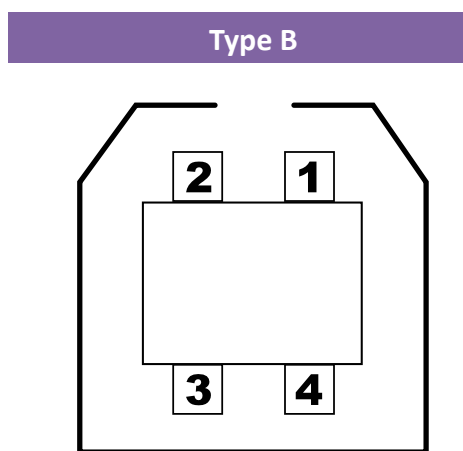
Note The specifications may be changed at any time without prior notice. For more information about the new specifications, visit Argox website or contact your dealer.

6.6 Interfaces

This section provides information about IO port specifications for the printer.

6.6.1 USB

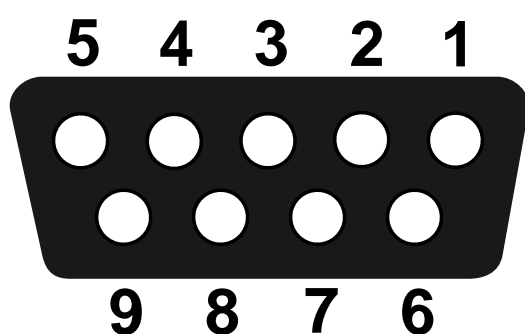
The figure below shows their pinouts.



Pin	Signal	Description
1	VBUS	+5V
2	D-	Differential data signaling pair -
3	D+	Differential data signaling pair +
4	Ground	Ground

6.6.2 RS-232C

The RS-232C on the printer is DB9 female. It transmits data bit by bit in asynchronous start-stop mode. The figure below shows its pinout.



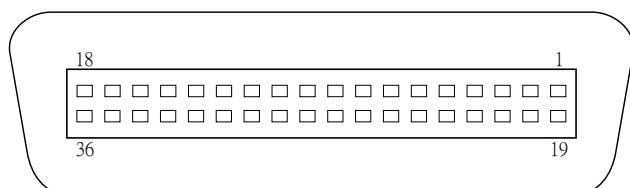
Pin	Signal	Description
1	N/A	Shorted to Pin 6
2	RxD	Receive
3	TxD	Transmit
4	N/A	No Connection
5	GND	Ground
6	N/A	Shorted to Pin 1
7	RTS	Request to Send
8	CTS	Clear to Send
9	+5V	Reserved for KDU (keyboard device unit)



Note Pin 9 is reserved for KDU. Do not connect it if you are using a computer as the host.

6.6.3 Centronics

The 36-pin Centronics on the printer uses parallel communication, and complies with IEEE 1284 compatibility mode (also called SPP, Standard Parallel Port). The figure below shows its pinout.



Pin	Signal Direction	Signal	Pin	Signal Direction	Signal
1	To Printer	/STROBE	11	From Printer	BUSY
2	To Printer	Data 1	12	From Printer	PE
3	To Printer	Data 2	13	From Printer	+5V
4	To Printer	Data 3	14-15	-	NC
5	To Printer	Data 4	16-17	Ground	GND
6	To Printer	Data 5	18	-	NC
7	To Printer	Data 6	19-30	Ground	GND
8	To Printer	Data 7	31	-	NC
9	To Printer	Data 8	32	From Printer	/FAULT
10	From Printer	/ACK	33-36	-	NC