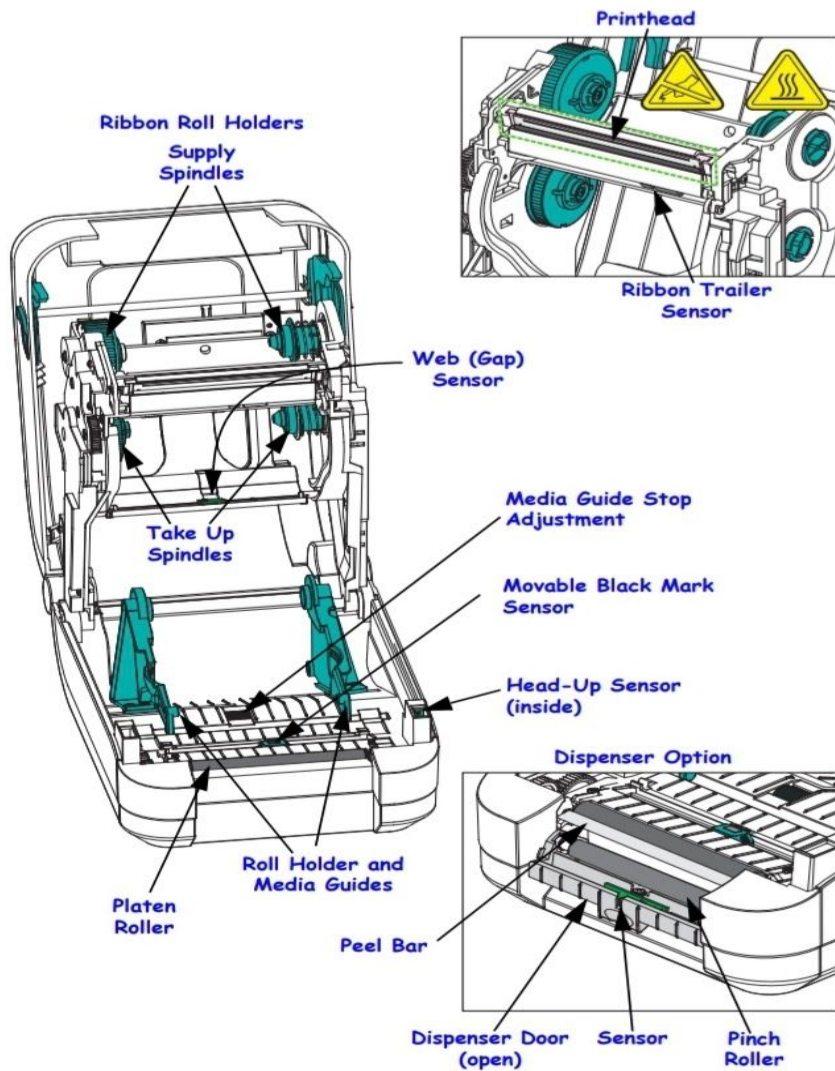
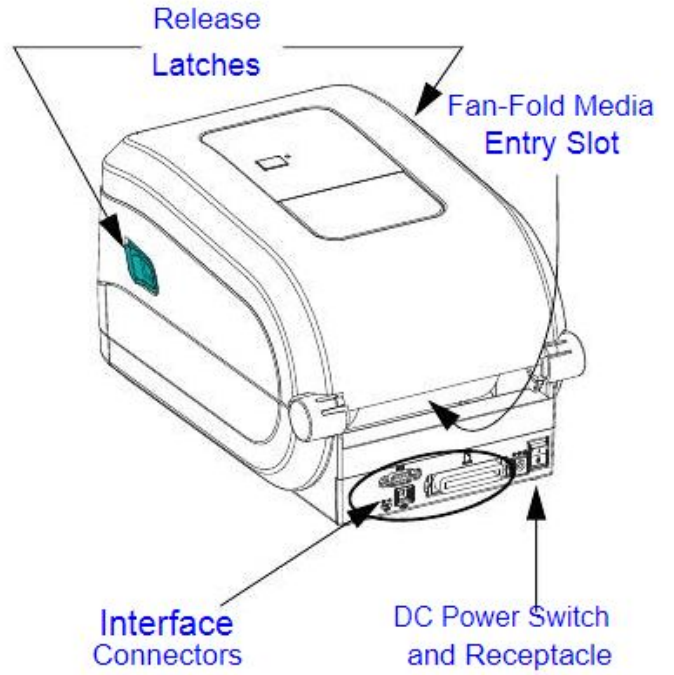
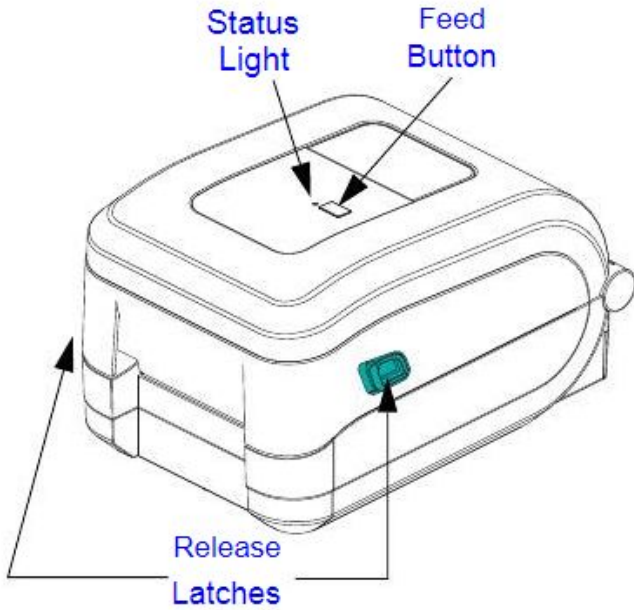
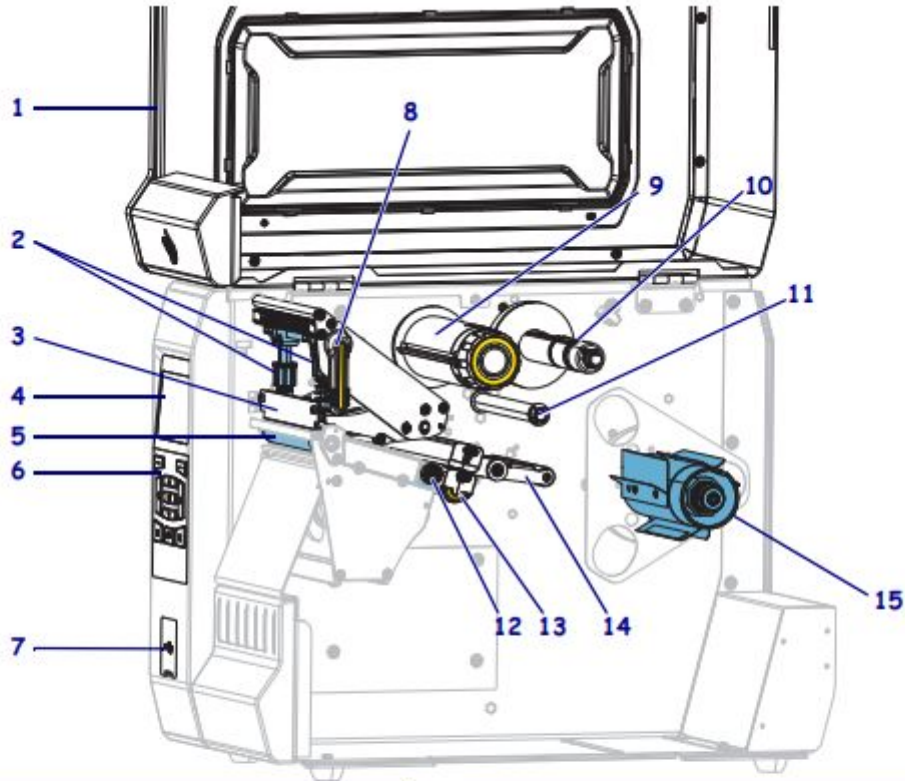


DESKTOP TYPE OF LABEL PRINTER



INDUSTRIAL TYPE OF BARCODE PRINTER



1	Media door
2	Printhead pressure toggles
3	Printhead assembly
4	Control panel display
5	Platen roller
6	Control panel
7	USB host port
8	Printhead-open lever

9	Ribbon take-up spindle
10	Ribbon supply spindle
11	Ribbon guide roller
12	Media guide adjustment knob
13	Transmissive media sensor adjustment wheel
14	Media dancer assembly
15	Media supply spindle

1 2 3 4 5

STATUS PAUSE DATA SUPPLIES NETWORK

6 7 8 9 10 11 12 13 14 15 16

1	STATUS light	These indicator lights show the current status of the printer. For more information, see <i>Indicator Lights</i> on page 242.
2	PAUSE light	
3	DATA light	
4	SUPPLIES light	
5	NETWORK light	
6	The display shows the printer's current status and allows the user to navigate the menu system.	
7	RIGHT SELECT button	These buttons execute the commands shown directly above them in the display.
8	LEFT SELECT button	
9	The UP ARROW button changes the parameter values. Common uses are to increase a value or to scroll through choices.	
10	The OK button selects or confirms what is shown on the display.	
11	The LEFT ARROW button , which is active only in the menu system, navigates to the left.	
12	The RIGHT ARROW button , which is active only in the menu system, navigates to the right.	
13	The DOWN ARROW button changes the parameter values. Common uses are to decrease a value or to scroll through choices.	
14	The PAUSE button starts or stops printer operation when pressed.	
15	The FEED button forces the printer to feed one blank label each time the button is pressed.	
16	The CANCEL button cancels label formats when the printer is paused. <ul style="list-style-type: none"> • Press once to cancel the next label format. • Press and hold for 2 seconds to cancel all label formats. 	



Printer Check-List

Customer :

Location :

Division :

Brand/ Model :

Part#

Serial#

Task:

- | | |
|---|---|
| <input type="checkbox"/> Media Door | <input type="checkbox"/> Media door release latches |
| <input type="checkbox"/> Printhead | <input type="checkbox"/> Overall print quality |
| <input type="checkbox"/> Control panel display | <input type="checkbox"/> Panel button |
| <input type="checkbox"/> Platen roller | <input type="checkbox"/> Remove excess label material |
| <input type="checkbox"/> Clean interior printer | <input type="checkbox"/> Clean exterior printer |
| <input type="checkbox"/> Media sensor | <input type="checkbox"/> Rewinder |
| <input type="checkbox"/> Cutter | <input type="checkbox"/> Perform self test |
| <input type="checkbox"/> Software/ Driver | <input type="checkbox"/> Power button |
| <input type="checkbox"/> Printer status light (On/ Off) | <input type="checkbox"/> Ribbon & media holder |
| <input type="checkbox"/> Port interface/ connector (USB/ Serial/ LAN/ Parallel) | |
| <input type="checkbox"/> Others _____ | |

Remarks

Check Date

Engineer